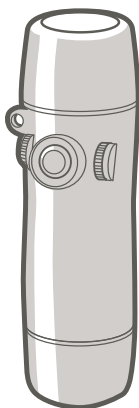
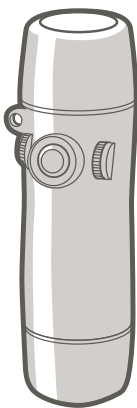


# PROVOX<sup>®</sup>

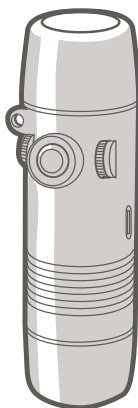
## Electrolarynx



TruTone<sup>®</sup> Emote<sup>®</sup>



TruTone<sup>®</sup> Plus<sup>™</sup>



SolaTone<sup>®</sup> Plus<sup>™</sup>



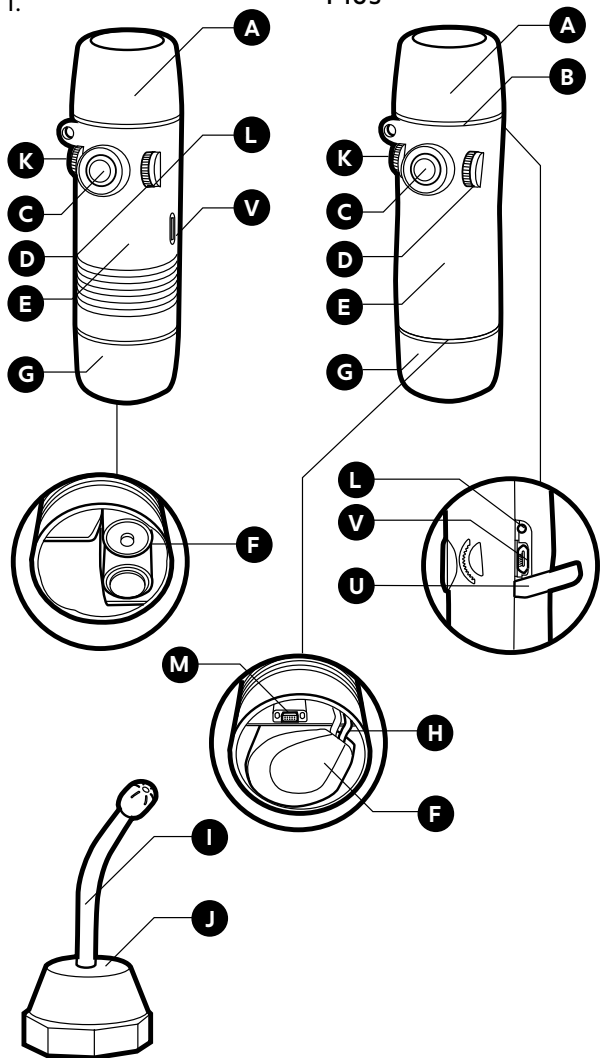
25° C  
77° F  
RT  
-20° C  
-4° F

SolaTone®  
Plus™

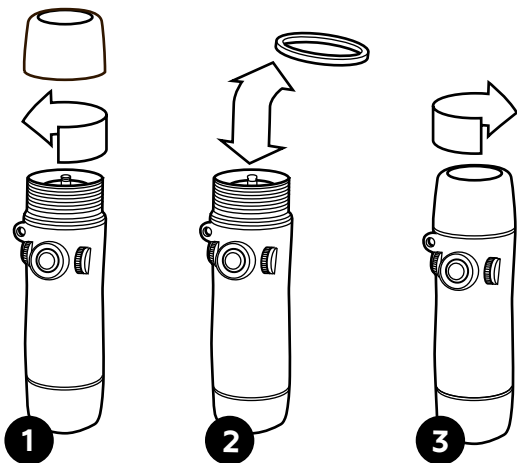
TruTone®  
Emote®

TruTone®  
Plus™

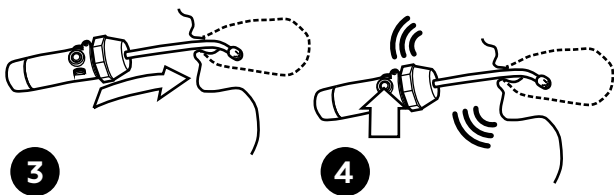
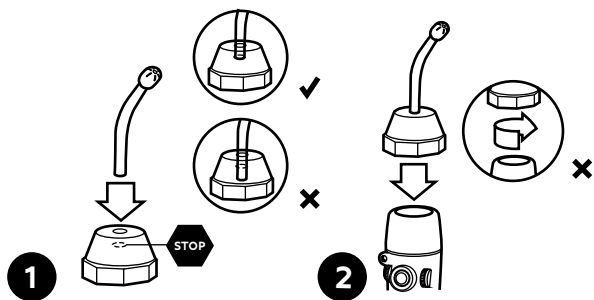
1.



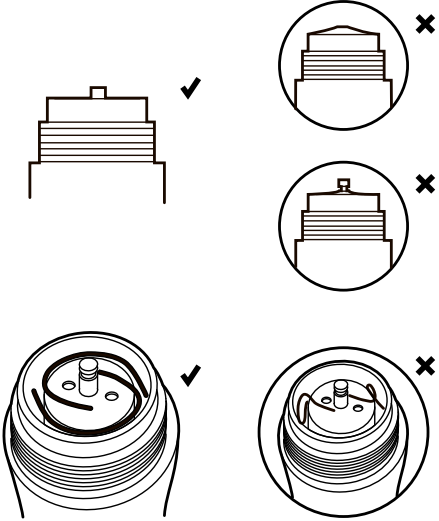
2.



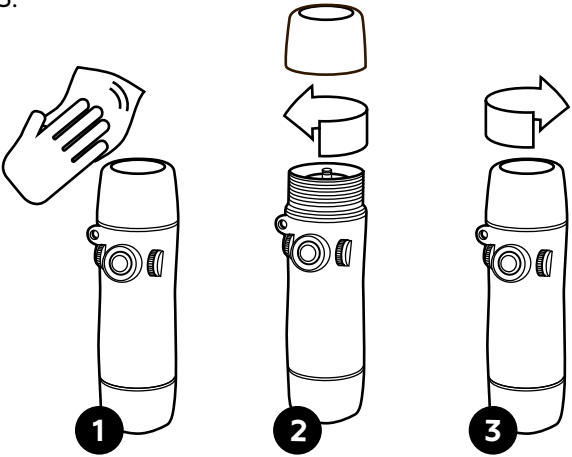
3.



4.



5.



## Limited warranty

For international warranty contact your local distributor.

## Patent and trademarks

Provox®, TruTone®, SolaTone® and Emote® are registered trademarks owned by Atos Medical AB.

For information about protective rights (e.g. patents), please refer to our web page [www.atosmedical.com/patents](http://www.atosmedical.com/patents)

## Contents

EN - ENGLISH .....	7
DE - DEUTSCH .....	15
NL - NEDERLANDS .....	24
FR - FRANÇAIS .....	33
IT - ITALIANO .....	42
ES - ESPAÑOL.....	51
PT - PORTUGUÊS .....	60
SV - SVENSKA .....	69
DA - DANSK .....	77
NO - NORSK.....	85
FI - SUOMI .....	93
LV - LATVISKI .....	101
CS - ČESKY.....	109
HU - MAGYAR .....	117
SK - SLOVENČINA.....	126
PL - POLSKI.....	134
RO - ROMÂNĂ .....	143
HR - HRVATSKI.....	151
EL - ΕΛΛΗΝΙΚΑ .....	159
BG - БЪЛГАРСКИ.....	168
TR - TÜRKÇE.....	177
HY - ՀԱՅԵՐԵՆ .....	185
RU - РУССКИЙ.....	195
MS - BAHASA MELAYU.....	204
JA - 日本語 .....	213
KO - 한국어 .....	222
ZHTW - 繁體中文.....	230
ZHCN - 简体中文 .....	238
HE - עברית .....	253
AR - العربية .....	260

# 1. Descriptive information

## 1.1 Intended use

An electrolarynx is a battery-powered artificial larynx that is externally applied and intended for use in the absence of the ability to use the larynx to produce sound. When held against the skin in the area of the voicebox, or by insertion of a tube in the oral cavity (with an oral adapter), the device generates mechanical vibrations which resonate in the oral and nasal cavities and can be modulated by the tongue and lips in a normal manner, thereby allowing the production of speech.

## 1.2 Contraindications

The device should only be used in accordance with the Instructions for Use. Users without the physical, cognitive, or mental ability required to operate the device themselves, should not use the device independently and should only use it if they are under sufficient supervision of a clinician or a trained caregiver. The device should not be directly applied over frail neck tissue with weak blood vessels. This can cause tissue damage or bleeding. Patients with this condition should only use the device when they have been specifically instructed by their clinician about how to use the device and where to safely apply it.

## 1.3 Description of the device

An electrolarynx is a battery-powered artificial larynx that is externally applied on undamaged skin and intended for use in the absence of the larynx or the inability to use the larynx to produce sound.

## 1.4 Warnings

- Failure to follow the safety instructions could result in personal injury, or damage the device. Read all safety information below before using the device.
- Incorrect use of the device or not following instructions in this IFU can cause personal injury and/or damage the device.
- Do not use the device between persons, this can cause cross contamination. The device is intended for single patient use only.
- Do not turn on, or use, or charge the device if it has been exposed or dropped in water or other liquids, as it can cause personal injury and/or damage the device.
- Before charging inspect the charger for damage. A damaged or non-functioning charger shall no longer be used, as it can cause fire, personal injury or damage the device.
- Only use approved chargers, as usage of unapproved chargers can cause fire, personal injury, or damage to the device.
- Do not attempt to charge non-rechargeable batteries, as this could result in personal injury or damage the device.
- Do not replace rechargeable batteries with non-rechargeable batteries, as this could result in personal injury or damage the device.
- Do not physically damage the batteries, as this could result in personal injury or damage the device.
- Do not store batteries in a pocket, purse, box or drawer etc. where they may short-circuit each other, or be short-circuited by conductive materials such as coins or keys, as this could result in personal injury or damage the device.
- Do not use a leaking battery as it could result in personal injury or damage the device.

- Do not expose the lithium battery to temperatures outside the temperature ranges specified on the label, as it could result in personal injury or damage the device.
- Use caution when replacing the batteries. Incorrect installation of the batteries may result in a hazardous situation, such as extreme heat or fire, as this could result in personal injury or damage the device or other property.
- The device contains a magnet that generates magnetic and electromagnetic fields that may interfere with pacemakers or other implantable devices as well as certain procedures or treatments. Maintain a minimum distance of 6"/15 cm between the device and any medically implanted devices. Consult with your physician before any medical procedure or treatment. If interference between the device and any medically implanted device is suspected, discontinue use and consult with your physician.
- Do not insert any part of the device or accessories into the stoma, as this could result in personal injury.
- Do not modify the device, as it could result in personal injury or damage the device.
- The device contains small parts that may become dislodged and present a choking hazard. Keep away from small children.

## 1.5 Precautions

- Be careful not to damage the battery wiring when opening/closing the battery cap.
- Failure to follow maintenance instructions could result in personal injury and/or damage the device.
- Never use a broken, modified or altered device; or charge a broken, modified or altered device, as this could result in personal injury and/or damage the device.
- The device and batteries may become warm (up to 45 °C/113 °F) during charging. Allow the device to cool down before use.
- The device may become warm during use. Take necessary precautions when placing on neck for use.
- With extensive use, vibrations can cause discomfort for some sensitive users.
- The device may malfunction or stop working due to electromagnetic field interference from other devices.
- Be careful not to chew/bite on the oral tube as it could cause dental damages.
- Be careful not to drop the device, as it could cause damage to the device.
- The device may cause sense of effort and fatigue in the shoulder/arm for individuals who experiences shoulder dysfunction.

## 2. Instructions for use

**Definitions:** **TTE** = *Provox TruTone Emote*, **TTP** = *Provox TruTone Plus*, **TTE/P** = *both Provox TruTone products*, **STP** = *Provox SolaTone Plus*

### 2.1 Content

#### Box content

- Electrolarynx
- IFU - Instructions for use
- Oral adapter
- Oral tube variety pack
- Micro USB-cable
- Extra sharp sound head (TTE/P)
- 2 AA NiMH rechargeable batteries (STP)
- Lanyard



### Part specification (Illustration 1)

- A. Sound head (x2 TTE/P) (x1 STP) (including sound button and foam ring)
- B. Sound head spacer (TTE/P)
- C. Power button (Emotion™ button in TTE/P)
- D. Volume knob
- E. Body
- F. Battery
- G. Battery cap
- H. Battery connector (TTE/P)
- I. Oral tube (2 + 2)
- J. Oral adapter
- K. Tone (pitch) adjustment knob
- L. LED indicator light
- M. MODE button (TTE/P)
- U. USB dust cover (TTE/P)
- V. USB charge jack

## 2.2 Operating instruction

### 2.2.1 Volume level and power

- The volume knob (D) all the way down is off.
- Turn the device on and adjust the volume by turning the volume knob upwards (D).

### 2.2.2 Adjusting tone

- Adjust the tone by turning the tone adjustment knob (K).
- Keep the power button (C) pressed while making your initial adjustment to hear the differences.
- Using the tone knob (K) without holding the power button (C) still changes the tone without the ability to hear it.

### 2.2.3 Setting the mode (TTE/P)

To change the mode, first remove the battery cap, then press both the mode button (M) and the power button (C). The mode changes immediately, but if you continue to hold the power button, the device will beep to indicate the new mode setting. The number of beeps and the tone of the beeps indicate which mode it is in.

Provox TruTone Emote (TTE) has six modes 1-6 and Provox TruTone Plus (TTP) has two modes 1-2.

**Modes 1-4:** Four preset ranges.

Mode 1 – Nearly monotone	1 Beep
Mode 2 – Low tonal variations—1/2-octave range	2 Beeps
Mode 3 – Medium tonal variations	3 Beeps
Mode 4 – High tonal variations—2-octave range	4 Beeps

**Modes 5-6 (TTE):** Volume mode lets you control the volume with the power button (C), instead of the tone (K). This is for people who do not use the tone control, and it allows volume control without moving the knob. A very light touch lets you speak with your “whisper voice“, while pressing firmly emits sound at full volume. The volume control knob still limits your max volume. Changing into these modes creates a “Whoop“ sound (with an increasing tone), rather than a steady tone beep.

Mode 5 – Low Sensitivity—full volume requires more pressure. 2 “Whoops“

Mode 6 – High Sensitivity—full volume requires less pressure. 3 “Whoops“

## 2.2.4 Choosing sound head

If you have hard neck tissue or are in a loud environment. The grey sound head can be used because of its sharper sound. (See 2.3.2 Replacing the sound head)

## 2.2.5 Using the sound head spacer (B) - (TTE/P)

If you regularly use a higher tone and prefer the tonal qualities without a sound head spacer you may remove it. (See 2.3.3 Add/remove sound head spacer)

## 2.2.6 Charging battery

- Pull the USB dust cover (U) out at the top end. (TTE/P)
- Insert micro-USB into the USB charge jack (V).with an approved plug for wall charging.
- Check that the LED indicator light (L) is lit.
- Unplug the unit when the charging is complete to conserve power. Use until volume begins to fade, which is at 80% drained.

### LED indicator light (L)

- Low battery (TTE/P) - The light turns on when you press the power button signaling that it is approaching time to charge.
- Charging - Solid light
- Complete charging - Flashing light

## 2.2.7 Electrolarynx neck placement

- Place the sound head (A) against your neck and activate the power button (C). Do not insert any part of the device or accessories into the stoma.
- Speak as sound is carried into your mouth. Do not force air out.
- Ensure an airtight seal between the sound head and your neck.
- Try different positions until you get the best sound. Note that even a 3 mm / 1/8" position change can have a great impact on the sound volume.
- If you are unable to achieve sound transmission through your neck or are unable to place the device against your neck for medical reasons, try cheek placement or use the oral adapter (See installing/using optional oral adapter/tube 2.3.4).
- Adjusting the base tone up or down may produce a better voice.
- Mid-range tones are easier to hear for most people.

## 2.2.8 Optional oral adapter and oral tubes

If neck placement does not suit you because of a tender neck or excess buzzing you can use the oral adapter. (Installing/using oral adapter/tube 2.3.4)

## 2.2.9 Guidelines for demonstration use

### Warning!

The oral adapter, oral tube and sound head are for single-patient use only, and must not be reused between patients.

### Precaution!

Maintain the device after each patient and demonstration use according to the maintenance instructions.

- Demonstration use is intended to determine patient suitability for the device.
- The users shall clean and disinfect their hands with isopropyl alcohol (IPA) or with other suitable disinfectant, or use gloves.
- The sound head (A) (including the sound button and foam ring) shall be replaced and discarded between each patient (2.3.2 Replacing the sound head).
- The device shall be wiped off before and after each patient according to 2.3.1 of device.

## 2.3 Maintenance and part changing

### 2.3.1 Maintenance of device

- Maintenance actions are the responsibility of the user. Maintenance should be performed after each use.
- Wipe the device with a clean, dry cloth or if necessary, a slightly damp cloth (not dripping wet). Use water with mild soap or Isopropylalcohol 50-75%.
- Be careful not to get moisture inside the device
- Do not use electrical or spray cleaners

### 2.3.2 Replacing the sound head (Illustration 5)

Contact your local representative for replacement sound heads.

1. Wipe down the device according to 2.3.1. Maintenance. Be sure to apply light pressure and wipe the power button with a circular or twisting motion. After wiping down the body, wipe down the sound head cap, being careful not to apply excess pressure that would cause the top sound button to be dislodged.
2. Remove the sound head by unscrewing it.
3. Make sure that the sound head spacer (B) is still installed. Replace it if it is broken or missing before installing the new sound head (A) (TTE/P) (See. 2.3.3 Add/remove sound head spacer).
4. Install a new sound head (A).

**Precaution:** Do not remove the silicone diaphragm underneath the sound head. The silicone diaphragm should be retained in the groove on the coil's/actuator's stem. (Illustration 3)

**Precaution:** Do not to twist the coil/actuator. The wires should wind smoothly around the coil/actuator. (Illustration 3)

### 2.3.3 Add/remove sound head spacer (Illustration 2)

1. Unscrew the sound head.
2. Add/remove the spacer.
3. Screw the sound head back on.
4. Test the device, listening to the tonal qualities. If you prefer the tonal qualities without the spacer, be sure to store the spacer in a safe place, such as the box your device came in.

### 2.3.4 Installing/using oral adapter/tube (Illustration 3)

1. Insert oral tube (I) into top of oral adapter (J).

**Precaution:** Do not insert oral tube beyond stop. Ensure that the tube does not protrude into the cap area.

2. Place oral adapter over sound head (A).

**Precaution:** Do not twist it on.

3. Place oral tube into mouth, at the corner of the mouth.
4. Activate electrolarynx. Speak around oral tube.

### 2.3.5 Changing battery

#### STP

Two 1.5 V Nickel Metal Hydride (NiMH) rechargeable AA cells.

- Install battery (F) by following the arrows placed inside of the STP (Illustration 1)

**TTE/P:**

Use only approved Li-Ion batteries. Contact distributors for more information.

- Install battery (F) as shown (Illustration 1); it only fits one way. The battery connector (H) alignment tab points up, with the red wire to the right.

**(Illustration 1)**

## 2.4 Trouble shooting guide

### 2.4.1 Not satisfactory intelligibility during phone use

1. Place the phone microphone up by the nose, not below the mouth. This will get microphone away from stoma and electrolarynx sound.
2. Reduce the volume of the electrolarynx so the volume level is as quiet as it can be, while still generating a tone.

### 2.4.2 Unit “dead”, “broken” or “just stopped working”

1. Make sure that the volume knob (D) is not turned all the way down which turn the device off.
2. Turn the volume knob (D) all the way down to off.
3. Lightly press the power button (C) and increase pressure. If the device activates and deactivates in the process the device needs to be sent in for replacement. (See 2.5.1 Service & assistance)
4. If the LED turns on every time the power button (C) is pressed, the device is low on battery and needs to be charged. (TTE/P)
5. Plug a known-good micro USB cable, that is powered, into the device. If the device powers on and the LED flashes then the device battery is unplugged. Remove the battery cap and press battery cable connector (black plastic where the black and red wires go) further into the housing.

### 2.4.3 Charging light (L) does not turn on while charging

1. Test power outlet with a lamp.
2. Make sure the micro USB cable is fully plugged into the power supply and the device.
3. Try a different micro USB cable.
4. Try a different power supply (USB power outlet).
5. Test charger & cable on a cell phone or other device.

**STP**

6. Make sure the battery (or batteries) is rechargeable. Device will not charge non-rechargeable batteries.
7. Make sure the batteries are inserted correctly. Check to make sure the batteries have proper orientation with the battery + going to the device +.

**TTE/P:**

8. Plug a known-good micro USB cable that is powered into the device and activate the power button (C), if the device powers on and the LED light flashes then the device battery is unplugged. Remove the battery cap (G) and press battery connector (H) further into the housing.

### 2.4.4 Unit “has too much buzzing” “sounds funny”, “is muffled” or “not clear”

1. Make sure the sound head (A) is in full contact with the skin on the neck.
2. Try a different location on the neck. (See 2.2.7 Electrolarynx neck placement)
3. Reduce the volume (D).
4. Adjust the tone (K).

5. Use the oral adapter (See Installing/using the oral adapter and oral tube 2.3.4).
6. Inspect the cap. If the sound button seems loose or has move slightly or the foam ring seems damaged the device might need a new foam ring.
7. Remove the sound head (A) and look inside.
  - Is there a small rubber piece glued in place in the center of the sound head (A)? If not, the unit needs a replacement sound-button. (See 2.5.1 Service & assistance)
  - Make sure the diaphragm is attached to the coil's post. Make sure the coil bounces freely when touched, and does not have any gritty feel (Illustration 4)

**TTE/P:**

1. Try the optional extra sharp sound head (2.3.2 Replacing the sound head) (Illustration 5)

### **2.4.5 "Sound head (A) came apart" or the sound button has been pushed out of the cap**

1. Check if foam ring is damaged.
2. If it was not damaged, the original foam ring may be reused and assembled back together.
3. If it is damaged, it needs to be changed.

**TTE/P:**

The sensitivity of the button-sensor may be too sensitive. Try a different MODE, typically a lower mode.

### **2.4.6 Button "sticks"**

1. Read general cleaning advice (2.3.1 Maintenance of device)
2. Use q-tip or cotton swab with a small amount of recommended alcohol (2.3.1 Maintenance of device) to clean around the power button 5-6 times, then press power button 5-6 times.
3. Alternate pressing power button and cleaning around button with q-tip or cotton swab. Continue until no longer sticking.
4. Use a thicker piece of paper to remove debris stuck in power button crevice.

### **2.4.7 Unsteady tone (TTE/P)**

Try a mode with a lower sensitivity. (See 2.2.3 Setting the mode)

### **2.4.8 Unsteady volume (TTE/P)**

Try a mode that is not a volume mode. (See 2.2.3 Setting the mode)

### **2.4.9 Unit causing interference to radio or TV reception**

1. Reorient or relocate the receiving antenna.
2. Increase the separation between the equipment and receiver.
3. Connect the equipment into an outlet on a circuit different from that to which the receiver is connected.
4. Consult the dealer or an experienced radio/TV technician for help.

## **2.5 Service**

### **2.5.1 Service & assistance**

The electrolarynx does not contain any serviceable parts other than those removable by the patient. Service parts include batteries, sound head, sound head spacer, foam ring, oral adapter and oral tubes. Contact your local representative for assistance in using or maintaining your electrolarynx and for ordering available parts.

## **2.6 Disposal**

Always follow medical practice and national requirements regarding biohazards when disposing of a used medical device.

## 2.7 Reporting

Please note that any serious incident that has occurred in relation to the device shall be reported to the manufacturer and the national authority of the country in which the user and/or patient resides.

## 3. Technical specifications

Description	Specification
Operating temperature (to maintain optimal battery life)	+5 °C to +25 °C +41 °F to +77 °F
Storage and transport temperature (to maintain optimal battery life)	-20 °C to +25 °C -4°F to +77 °F
Operating humidity (to maintain optimal battery life)	15% to 93% relative humidity, 700 hPa to 1060 hPa
Storage humidity	0% to 45% relative humidity
Expected service life	1-5 years
Applied part	Type BF Applied Part (entire device)
Mode of operation	30 minutes of activation during a 24 hour period
Power source	Internally powered
Dimensions	Provox SolaTone Plus 118 mm (4.6 inch); Provox TruTone Emote 113 mm (4.5 inch); Provox TruTone Plus 113 mm (4.5 inch)
Weight	Provox SolaTone Plus 130 g (0.29 pounds); Provox TruTone Emote 130 g (0.29 pounds); Provox TruTone Plus 131 g (0.29 pounds)
Charge specification	5 V, 750 mA minimum (or 0.75 A minimum)

## 4. Compliance

Device is tested and conforms to the IEC 60601-1-2 with test level adopted for domestic environment.

# 1. Beschreibung

## 1.1 Verwendungszweck

Eine elektronische Sprechhilfe ist ein akkubetriebenes Produkt zur externen Anwendung zur Tonerzeugung nach einer Laryngektomie, nach der diese Funktion des Kehlkopfs nicht mehr vorhanden ist. Beim Anlegen des Produktes an die Halshaut im anatomischen Kehlkopfbereich oder durch das Einführen eines Röhrchens in die Mundhöhle (Nutzung mit oralem Adapter) wird die mechanische Schwingung, die das Produkt erzeugt, in die Mundhöhle übertragen, wo der Ton von Zunge und Lippen normal geformt werden kann. So wird das Sprechen ermöglicht.

## 1.2 Kontraindikationen

Das Produkt darf nur gemäß der Gebrauchsanweisung verwendet werden. Anwender, die nicht über die erforderlichen körperlichen, kognitiven oder geistigen Fähigkeiten verfügen, um das Produkt selbst zu bedienen, dürfen das Produkt nicht eigenständig verwenden und es nur unter ausreichender Aufsicht eines Arztes oder einer geschulten Pflegekraft verwenden. Das Produkt darf nicht direkt auf schwachem Halsgewebe mit schwachen Blutgefäßen angebracht werden. Dies kann zu Gewebeschäden oder Blutungen führen. Patienten mit diesem Zustand sollten das Produkt nur dann verwenden, wenn sie von ihrem Arzt gezielt darüber unterwiesen wurden, wie es zu verwenden und wo es sicher anzuwenden ist.

## 1.3 Produktbeschreibung

Eine elektronische Sprechhilfe ist ein akkubetriebenes Produkt zur externen Anwendung auf unbeschädigter Haut nach einer totalen Laryngektomie oder wenn der Kehlkopf nicht dazu genutzt werden kann.

## 1.4 Warnhinweise

- Die Nichtbeachtung der Sicherheitshinweise kann zu Verletzungen oder zur Beschädigung des Produkts führen. Lesen Sie vor der Verwendung des Produkts alle nachstehenden Sicherheitshinweise.
- Die unsachgemäße Verwendung des Produkts oder die Nichtbeachtung der Anweisungen in dieser Gebrauchsanweisung kann zu Verletzungen führen und/oder das Produkt beschädigen.
- Verwenden Sie das Produkt nicht bei weiteren Personen, da dies zu Kreuzkontaminationen führen kann. Das Produkt darf nur von einem Patienten benutzt werden.
- Schalten Sie das Produkt nicht ein, verwenden Sie es nicht und laden Sie es nicht auf, wenn es in Wasser oder andere Flüssigkeiten getaucht oder fallen gelassen wurde, da dies zu Verletzungen und/oder Schäden am Produkt führen kann.
- Überprüfen Sie das Ladegerät vor dem Aufladen auf Beschädigungen. Ein beschädigtes oder nicht funktionsfähiges Ladegerät darf nicht mehr verwendet werden, da es Brände, Verletzungen oder Schäden am Produkt verursachen kann.
- Verwenden Sie nur zugelassene Ladegeräte, da die Verwendung von nicht zugelassenen Ladegeräten zu Bränden, Verletzungen oder Schäden am Produkt führen kann.
- Versuchen Sie nicht, nicht wiederaufladbare Batterien aufzuladen, da dies zu Verletzungen führen oder das Produkt beschädigen könnte.
- Ersetzen Sie wiederaufladbare Akkus nicht durch nicht wiederaufladbare Batterien, da dies zu Verletzungen führen oder das Produkt beschädigen könnte.
- Beschädigen Sie die Akkus nicht, da dies zu Verletzungen führen oder das Produkt beschädigen könnte.

- Bewahren Sie Akkus nicht in einer Tasche, Geldbörse, Kiste oder Schublade usw. auf, wo sie sich gegenseitig kurzschließen oder durch leitfähige Materialien wie Münzen oder Schlüssel kurzgeschlossen werden können, da dies zu Verletzungen oder Schäden am Produkt führen kann.
- Verwenden Sie keine auslaufende Akku, da dies zu Verletzungen führen oder das Produkt beschädigen könnte.
- Setzen Sie die Lithiumakkus nicht Temperaturen aus, die außerhalb der auf dem Etikett angegebenen Temperaturbereiche liegen, da dies zu Verletzungen führen oder das Produkt beschädigen könnte.
- Seien Sie beim Austauschen der Akkus vorsichtig. Ein unsachgemäßes Einlegen der Akkus kann eine gefährliche Situation zur Folge haben, wie z. B. extreme Hitze oder Feuer, was zu Verletzungen führen oder das Produkt oder andere Gegenstände beschädigen könnte.
- Das Produkt enthält einen Magneten, der magnetische und elektromagnetische Felder erzeugt, die Herzschrittmacher oder andere implantierbare Produkte sowie bestimmte Eingriffe und Behandlungen stören können. Zwischen dem Produkt und einem medizinisch implantierten Produkt ist ein Mindestabstand von 6 Zoll/15 cm erforderlich. Konsultieren Sie vor jedem medizinischen Eingriff bzw. jeder Behandlung Ihren Arzt. Stellen Sie den Gebrauch des Produktes bei Verdacht auf Störungen zwischen dem Produkt und einem medizinisch implantierten Produkt ein und wenden Sie sich an Ihren Arzt.
- Führen Sie keine Teile des Produkts oder des Zubehörs in das Tracheostoma ein, da dies zu Verletzungen führen kann.
- Nehmen Sie keine Änderungen am Produkt vor, da dies zu Verletzungen führen oder das Produkt beschädigen könnte.
- Das Produkt enthält kleine Teile, die sich lösen und eine Erstickungsgefahr darstellen können. Halten Sie die Sprechhilfe von kleinen Kindern fern.

## 1.5 Vorsichtsmaßnahmen

- Achten Sie beim Öffnen/Schließen des Batteriefachdeckels darauf, dass die Batteriekabel nicht beschädigt werden.
- Die Nichtbeachtung der Wartungsanweisungen könnte zu Verletzungen und/oder zur Beschädigung des Produkts führen.
- Verwenden Sie niemals ein defektes, modifiziertes oder verändertes Produkt und laden Sie niemals ein defektes, modifiziertes oder verändertes Produkt auf, da dies zu Verletzungen und/oder Schäden am Produkt führen könnte.
- Das Produkt bzw. die Akkus können während des Aufladens (bis zu 45 °C/113 °F) warm werden. Lassen Sie das Produkt vor dem Gebrauch abkühlen.
- Das Produkt kann während des Gebrauchs warm werden. Treffen Sie die erforderlichen Vorsichtsmaßnahmen, wenn Sie das Produkt zum Gebrauch am Hals positionieren.
- Bei längerem Gebrauch können die Vibrationen bei einigen empfindlichen Benutzer Unbehagen hervorrufen.
- Das Produkt kann aufgrund von Störungen durch elektromagnetische Felder anderer Geräte Fehlfunktionen aufweisen oder nicht mehr funktionieren.
- Achten Sie darauf, dass Sie nicht auf den Mundschlauch kauen/beißen, da dies zu Zahnschäden führen könnte.
- Achten Sie darauf, das Produkt nicht fallen zu lassen, da es dadurch beschädigt werden könnte.
- Das Produkt kann bei Personen mit Schulterdysfunktionen ein Gefühl der Anstrengung und Ermüdung in der Schulter/im Arm hervorrufen.



## 2. Gebrauchsanweisung

**Definitionen:** **TTE** = *Provox TruTone Emote*, **TTP** = *Provox TruTone Plus*,  
**TTE/P** = *beide Provox TruTone Produkte*, **STP** = *Provox SolaTone Plus*

### 2.1 Inhalt

#### Inhalt der Verpackung

- Elektronische Sprechhilfe
- Gebrauchsanweisung
- Oraler Adapter
- Mundschlauch-Sortiment
- Micro-USB-Kabel
- Schraubkappe für klareren Ton (TTE/P)
- 2 wiederaufladbare NiMH-Akkus der Größe AA (STP)
- Umhängeband

#### Teilespezifikation (Abbildung 1)

- A. Schraubkappe (x 2 TTE/P) (x 1 STP) (einschließlich Membran und Schaumstoffring)
- B. Abstandsring (TTE/P)
- C. An-/Aus-Schalter (Emotion™-Taste in TTE/P)
- D. Lautstärkeregler
- E. Gehäuse
- F. Akku
- G. Batteriefachdeckel
- H. Batterieanschluss (TTE/P)
- I. Mundschlauch (2 + 2)
- J. Oraler Adapter
- K. Rädchen für die Toneinstellung (Tonhöhe)
- L. LED-Anzeigeleuchte
- M. MODUS-Taste (TTE/P)
- U. USB-Staubschutzabdeckung (TTE/P)
- V. USB-Ladebuchse

### 2.2 Gebrauchsanleitung

#### 2.2.1 Lautstärke und Leistung

- Wenn der Lautstärkeregler (D) ganz nach unten gedreht ist, ist das Produkt ausgeschaltet.
- Schalten Sie das Produkt ein und stellen Sie die Lautstärke ein, indem Sie den Lautstärkeregler nach oben drehen (D).

#### 2.2.2 Einstellen des Tons

- Stellen Sie den Ton ein, indem Sie das Rädchen für die Toneinstellung (K) drehen.
- Halten Sie den An-/Aus-Schalter (C) gedrückt, während Sie Ihre erste Einstellung vornehmen, um die Unterschiede zu hören.
- Wenn Sie das Rädchen für die Toneinstellung (K) verwenden, ohne den An-/Aus-Schalter (C) gedrückt zu halten, ändert sich der Ton, ohne dass Sie es hören können.

#### 2.2.3 Einstellen des Modus (TTE/P)

Um den Modus zu ändern, nehmen Sie zunächst den Batteriefachdeckel ab und drücken Sie dann sowohl die Modus-Taste (M) als auch den An-/Aus-Schalter (C). Der Modus ändert sich sofort, aber wenn Sie den An-/Aus-Schalter weiterhin gedrückt halten, ertönt ein Piepton, der anzeigt, dass die Modus-Einstellung geändert wurde. Anhand der Anzahl und Höhe der Pieptöne ist erkennbar, in welchem Modus sich das Produkt befindet.

Provox TruTone Emote (TTE) verfügt über sechs Modi (1–6), Provox TruTone Plus (TTP) verfügt über zwei Modi (1–2).

**Modi 1 bis 4:** Vier voreingestellte Bereiche.

Modus 1: Fast monotoner Klang	1 Piepton
Modus 2: Geringe Klangvariationen – Umfang von 1/2 Oktave	2 Pieptöne
Modus 3: Mittlere Klangvariationen	3 Pieptöne
Modus 4: Hohe Klangvariationen – Umfang von 2 Oktaven	4 Pieptöne

**Modi 5 und 6 (TTE):** Im Lautstärkemode können Sie mit dem An-/Aus-Schalter (C) die Lautstärke anstatt des Tons (K) einstellen. Dies ist für Anwender gedacht, die den Tonregler nicht benutzen, was eine Lautstärkeregelung ohne Nutzung des Rädchens ermöglicht. Durch sehr leichte Berührung können Sie mit einer „Flüsterstimme“ sprechen, während ein fester Druck den Ton mit voller Lautstärke wiedergibt. Über den Lautstärkeregler stellen Sie weiterhin die maximal erreichbare Lautstärke ein. Wenn Sie in diese Modi wechseln, ertönen anstatt eines gleichmäßigen Pieptons an- und abschwellende Töne.

Modus 5: Niedrige Empfindlichkeit –

volle Lautstärke erfordert höheren Druck. 2-mal an- und abschwellender Ton

Modus 6: Hohe Empfindlichkeit –

volle Lautstärke erfordert weniger Druck. 3-mal an- und abschwellender Ton

## 2.2.4 Auswählen der Schraubkappe

Wenn Ihr Halsgewebe sehr fest ist oder Sie sich in einer lauten Umgebung befinden, können Sie die graue Schraubkappe verwenden, um einen klareren Ton zu erzeugen. (Siehe 2.3.2 Auswechseln der Schraubkappe)

## 2.2.5 Verwenden des Abstandsring (B) – (TTE/P)

Wenn Sie regelmäßig einen höheren Ton verwenden und die klanglichen Eigenschaften ohne Abstandsring bevorzugen, können Sie ihn entfernen. (Siehe 2.3.3 Hinzufügen/Entfernen des Abstandsring)

## 2.2.6 Aufladen des Akkus

- Ziehen Sie die USB-Staubschutzabdeckung (U) am oberen Ende heraus. (TTE/P)

- Stecken Sie den Micro-USB-Stecker in die USB-Ladebuchse (V).

Verwenden Sie einen zugelassenen Stecker für das Aufladen an der Wandsteckdose.

- Prüfen Sie, ob die LED-Anzeigeleuchte (L) leuchtet.

- Ziehen Sie den Netzstecker, um Strom zu sparen, wenn der Ladevorgang abgeschlossen ist. Verwenden Sie das Produkt so lange, bis die Lautstärke nachzulassen beginnt. Dies geschieht bei einem zu 80 % entladenen Akku.

## LED-Anzeigeleuchte (L)

- Akku schwach (TTE/P) – Die Anzeigeleuchte leuchtet auf, wenn Sie den An-/Aus-Schalter drücken, und zeigt damit an, dass es bald Zeit zum Aufladen ist.

- Akku wird geladen – Dauerlicht

- Ladevorgang abgeschlossen – Blinkendes Licht

## 2.2.7 Platzieren der elektronischen Sprechhilfe am Hals

- Platzieren Sie die Schraubkappe (A) an Ihrem Hals und betätigen Sie den An-/Aus-Schalter (C). Führen Sie keine Teile des Produkts oder Zubehörteile in das Tracheostoma ein.

- Sprechen Sie, während der erzeugte Ton in den Mundraum übertragen wird. Vermeiden Sie während des Sprechens, Luft herauszupressen.

- Achten Sie auf eine luftdichte Verbindung zwischen Schraubkappe und Hals.

- Um den besten Klang zu erhalten, probieren Sie verschiedene Positionen aus. Beachten Sie, dass bereits eine Positionsänderung von 3 mm/ 1/8 Zoll einen großen Einfluss auf die Lautstärke haben kann.
- Wenn Sie keine Schallübertragung über Ihren Hals erreichen können oder das Produkt aus medizinischen Gründen nicht am Hals platzieren können, versuchen Sie es mit der Wange oder verwenden Sie den oralen Adapter (siehe Montieren/Verwenden des optionalen oralen Adapters/Mundschlauchs 2.3.4).
- Die Einstellung des Grundtons nach oben oder unten kann zu einer besseren Stimme führen.
- Töne im mittleren Bereich sind für die meisten Menschen leichter zu hören.

### 2.2.8 Optionaler oraler Adapter und Mundschläuche

Wenn Ihnen die Platzierung am Hals aufgrund eines empfindlichen Halses oder übermäßiger Brummgeräusche nicht zusagt, können Sie den oralen Adapter verwenden. (Montieren/Verwenden des oralen Adapters/Mundschlauchs 2.3.4)

### 2.2.9 Richtlinien für Demonstrationszwecke

#### **Warnhinweis!**

Der orale Adapter, der Mundschlauch und die Schraubkappe sind für die Anwendung bei einem einzigen Patienten vorgesehen. Eine Wiederverwendung durch weitere Patienten ist nicht gestattet.

#### **Vorsichtsmaßnahmen!**

Warten Sie das Produkt nach jedem Patienten- und Demonstrationseinsatz gemäß den Wartungsanweisungen.

- Die Nutzung für Demonstrationszwecke dient dazu, die Eignung des Produkts für den Patienten festzustellen.
- Benutzer müssen vor der Verwendung ihre Hände mit Isopropanol (IPA) oder einem anderen geeigneten Desinfektionsmittel reinigen und desinfizieren oder Handschuhe tragen.
- Die Schraubkappe (A) (einschließlich der Membran und des Schaumstoffrings) müssen zwischen den einzelnen Patienten ausgetauscht und entsorgt werden (2.3.2 Austauschen der Schraubkappe).
- Das Produkt muss vor und nach jedem Patienten gemäß 2.3.1 „Wartung des Produkts“ abgewischt werden.

## 2.3 Wartung und Auswechslung von Teilen

### 2.3.1 Wartung des Produkts

- Für die Wartung ist der Benutzer verantwortlich. Die Wartung sollte nach jedem Gebrauch durchgeführt werden.
- Wischen Sie das Produkt mit einem sauberen, trockenen Tuch oder bei Bedarf mit einem leicht feuchten Tuch (nicht tropfnass) ab. Verwenden Sie Wasser mit milder Seife oder Isopropylalkohol 50–75 %.
- Achten Sie darauf, dass keine Feuchtigkeit ins Innere des Produkts gelangt.
- Verwenden Sie keine Elektro- oder Sprühreiniger.

### 2.3.2 Austauschen der Schraubkappe (Abbildung 5)

Für die Beschaffung von Schraubkappen als Ersatzteil wenden Sie sich bitte an Ihren lokalen Händler.

1. Wischen Sie das Produkt gemäß 2.3.1 Wartung ab. Wischen Sie den An-/Aus-Schalter mit leichtem Druck und kreisenden oder drehenden Bewegungen ab. Wischen Sie nach der Reinigung des Gehäuses die Schraubkappe ab. Achten Sie dabei darauf, dass Sie keinen zu starken Druck ausüben, der dazu führen würde, dass sich die Membran löst.
2. Entfernen Sie die Schraubkappe.

3. Überprüfen Sie, ob der Abstandsring (B) noch angebracht ist. Ersetzen Sie ihn, wenn er gebrochen ist oder fehlt, bevor Sie die neue Schraubkappe (A) (TTE/P) montieren (siehe 2.3.3 Hinzufügen/Entfernen des Abstandsringes).

4. Montieren Sie eine neue Schraubkappe (A).

**Vorsichtsmaßnahmen:** Entfernen Sie nicht die Silikonmembran unter der Schraubkappe. Die Silikonmembran sollte in der Kerbe auf dem Schaft der Spule/des Aktuators bleiben. (**Abbildung 3**)

**Vorsichtsmaßnahmen:** Verdrehen Sie nicht die Spule / den Aktuator. Die Drähte sollten sich problemlos um die Spule/den Aktuator legen. (**Abbildung 3**)

### 2.3.3 Hinzufügen/Entfernen des Abstandsringes

(**Abbildung 2**)

1. Schrauben Sie die Schraubkappe ab.
2. Fügen Sie den Abstandsring hinzu oder entfernen Sie ihn.
3. Schrauben Sie die Schraubkappe wieder auf.
4. Testen Sie das Produkt, indem Sie sich die Klangqualitäten anhören. Wenn Sie die Klangqualität bei Nutzung ohne Abstandsring bevorzugen, bewahren Sie den Abstandsring an einem sicheren Ort auf, z. B. in der Produktverpackung.

### 2.3.4 Montieren/Verwenden des oralen Adapters/ Mundschlauchs (**Abbildung 3**)

1. Setzen Sie den Mundschlauch (I) oben in den oralen Adapter (J) ein.

**Vorsichtsmaßnahmen:** Führen Sie den Mundschlauch nicht über den Anschlag hinaus. Achten Sie darauf, dass der Schlauch nicht in den Bereich der Schraubkappe ragt.

2. Bringen Sie den oralen Adapter auf der Schraubkappe (A) an.

**Vorsichtsmaßnahmen:** Drehen Sie ihn nicht fest.

3. Platzieren Sie den Mundschlauch am Mundwinkel im Mund.

4. Aktivieren Sie die elektronische Sprechhilfe und sprechen Sie.

### 2.3.5 Auswechseln des Akkus

**STP**

Zwei 1,5 V Nickel-Metallhydrid-Akkumulatoren (NiMH) der Größe AA.

• Legen Sie den Akku (F) ein, indem Sie den Pfeilen auf der Innenseite der STP folgen (**Abbildung 1**)

**TTE/P:**

Verwenden Sie nur zugelassene Lithiumionen-Akkus. Weitere Informationen erhalten Sie bei den Vertriebshändlern.

• Setzen Sie den Akku (F) wie abgebildet ein (**Abbildung 1**). Er passt nur in einer Richtung. Das Verbindungsstück des Batterieanschlusses (H) zeigt nach oben, wobei sich das rote Kabel auf der rechten Seite befindet. (**Abbildung 1**)

## 2.4 Anleitung zur Fehlerbehebung

### 2.4.1 Nicht zufriedenstellende Verständlichkeit beim

Telefonieren

1. Platzieren Sie das Mikrofon des Telefons nahe an der Nase, nicht unterhalb des Mundes. Dadurch wird das Mikrofon vom Tracheostoma und dem Geräusch der elektronischen Sprechhilfe entfernt.

2. Verringern Sie die Lautstärke der elektronischen Sprechhilfe, sodass die Lautstärke so leise wie möglich ist, aber immer noch ein Ton erzeugt wird.

## 2.4.2 Gerät „defekt“, „beschädigt“ oder „funktioniert einfach nicht mehr“

1. Stellen Sie sicher, dass der Lautstärkereger (D) nicht ganz heruntergedreht ist, wodurch das Produkt ausgeschaltet wäre.
2. Drehen Sie den Lautstärkereger (D) ganz nach unten auf aus.
3. Drücken Sie den An-/Aus-Schalter (C) leicht und erhöhen Sie den Druck. Wenn sich das Produkt während des Vorgangs aktiviert und deaktiviert, muss es zum Austausch eingeschickt werden. (Siehe 2.5.1 Service und Hilfe)
4. Wenn die LED jedes Mal aufleuchtet, wenn der An-/Aus-Schalter (C) gedrückt wird, ist der Akku des Produkts schwach und muss aufgeladen werden. (TTE/P)
5. Stecken Sie ein geeignetes Micro-USB-Kabel, das mit Strom versorgt wird, in das Produkt. Wenn sich das Produkt einschaltet und die LED blinkt, ist der Akku des Produkts nicht angeschlossen. Entfernen Sie den Batteriefachdeckel und drücken Sie den Batteriekabelanschluss (schwarzer Kunststoff, an dem die schwarzen und roten Drähte verlaufen) weiter in das Gehäuse.

## 2.4.3 Ladeanzeige (L) leuchtet während des Ladevorgangs nicht auf

1. Testen Sie die Steckdose mit einer Lampe.
2. Vergewissern Sie sich, dass das Micro-USB-Kabel vollständig in das Netzteil und das Produkt eingesteckt ist.
3. Versuchen Sie es mit einem anderen Micro-USB-Kabel.
4. Versuchen Sie eine andere Stromversorgung (USB-Steckdose).
5. Testen Sie Ladegerät und Kabel an einem Mobiltelefon oder einem anderen Produkt.

### STP

6. Vergewissern Sie sich, dass der oder die Akku(s) wiederaufladbar ist (sind). Das Produkt kann nicht wiederaufladbare Batterien nicht aufladen.
7. Vergewissern Sie sich, dass die Akkus richtig eingelegt sind. Vergewissern Sie sich, dass die Akkus richtig ausgerichtet sind und der Pluspol des Akkus mit dem Pluspol des Produkts verbunden ist.

### TTE/P:

8. Stecken Sie ein geeignetes Micro-USB-Kabel, das mit Strom versorgt wird, in das Produkt und betätigen Sie den An-/Aus-Schalter (C). Wenn sich das Produkt einschaltet und die LED-Leuchte blinkt, ist der Akku des Produkts nicht angeschlossen. Entfernen Sie den Batteriefachdeckel (G) und drücken Sie den Batterieanschluss (H) weiter in das Gehäuse.

## 2.4.4 Gerät „brummt zu stark“, „klingt komisch“, „der Ton ist gedämpft“ oder „nicht klar“

1. Vergewissern Sie sich, dass die Schraubkappe (A) vollständig Kontakt mit der Haut am Hals hat.
2. Versuchen Sie es an einer anderen Stelle des Halses. (Siehe 2.2.7 Platzieren der elektronischen Sprechhilfe)
3. Verringern Sie die Lautstärke (D).
4. Stellen Sie den Ton ein (K).
5. Verwenden Sie den oralen Adapter (siehe Montieren/Verwenden des oralen Adapters und des Mundschlauchs 2.3.4)
6. Überprüfen Sie die Kappe. Wenn die Membran locker zu sein scheint, sich leicht bewegt hat oder der Schaumstoffring beschädigt zu sein scheint, benötigt das Produkt möglicherweise einen neuen Schaumstoffring.
7. Nehmen Sie die Schraubkappe (A) ab und schauen Sie in sie hinein.

- Ist in der Mitte der Schraubkappe (A) ein kleines Gummiteil eingeklebt? Wenn nicht, muss die Membran des Geräts ersetzt werden. (Siehe 2.5.1 Service und Hilfe)
- Vergewissern Sie sich, dass die Membran am Schaft der Spule befestigt ist. Vergewissern Sie sich, dass sich die Spule bei Berührung frei bewegt und sich nicht sandig anfühlt (Abbildung 4)

#### **TTE/P:**

1. Probieren Sie die optionale Schraubkappe für einen klareren Ton aus (2.3.2 Austauschen der Schraubkappe) (Abbildung 5)

### **2.4.5 „Schraubkappe (A) hat sich gelöst“ oder die Membran wurde aus der Kappe gedrückt**

1. Prüfen Sie, ob der Schaumstoffring beschädigt ist.
2. Wenn er nicht beschädigt wurde, kann der ursprüngliche Schaumstoffring wiederverwendet und wieder zusammengesetzt werden.
3. Wenn er beschädigt ist, muss er ausgetauscht werden.

#### **TTE/P:**

Die Empfindlichkeit des Tasten-Sensors ist möglicherweise zu hoch. Probieren Sie einen anderen MODUS, in der Regel einen niedrigeren, aus.

### **2.4.6 Schalter „bleibt hängen“**

1. Lesen Sie die allgemeinen Reinigungshinweise (2.3.1 Wartung des Produkts).
2. Verwenden Sie ein Q-Tip oder ein Wattestäbchen mit einer kleinen Menge des empfohlenen Alkohols (2.3.1 Wartung des Produkts), um den Bereich um den An-/Aus-Schalter fünf- bis sechsmal zu reinigen, und betätigen Sie dann fünf- bis sechsmal den An-/Aus-Schalter.
3. Drücken Sie mehrfach nacheinander den An-/Aus-Schalter und reinigen Sie den Bereich um den Schalter herum mit einem Q-Tip oder einem Wattestäbchen. Fahren Sie damit fort, bis der Schalter nicht mehr hängen bleibt.
4. Verwenden Sie ein dickeres Stück Papier, um Verunreinigungen zu entfernen, die sich im Spalt des An-/Aus-Schalters festgesetzt haben.

### **2.4.7 Ungleichmäßiger Ton (TTE/P)**

Probieren Sie einen Modus mit geringerer Empfindlichkeit aus. (Siehe 2.2.3 Einstellen des Modus)

### **2.4.8 Ungleichmäßige Lautstärke (TTE/P)**

Probieren Sie einen Modus aus, der kein Lautstärkemode ist. (Siehe 2.2.3 Einstellen des Modus)

### **2.4.9 Das Gerät stört den Radio- oder Fernsehempfang**

1. Positionieren Sie die Empfangsantenne neu bzw. richten Sie sie neu aus.
2. Vergrößern Sie den Abstand zwischen Produkt und Empfänger.
3. Schließen Sie das Produkt an einen anderen Stromkreis an, als den Empfänger.
4. Wenn Sie Unterstützung benötigen, wenden Sie sich an Ihren Händler oder einen erfahrenen Radio-/Fernsehtechniker.

## **2.5 Service**

### **2.5.1 Service und Hilfe**

Für die elektronische Sprechhilfe sind keine Ersatzteile erhältlich, außer denen, die der Patient selbst wechseln kann. Zu den erhältlichen Ersatzteilen zählen Akkus, Schraubkappe, Abstandsring, Schaumstoffring, oraler Adapter und orale Schläuche. Wenden Sie sich bitte an Ihren lokalen Händler, wenn Sie Hilfe bei der Verwendung oder Wartung Ihrer elektronischen Sprechhilfe benötigen und verfügbare Ersatzteile bestellen möchten.

## 2.6 Entsorgung

Bei der Entsorgung von benutzten Medizinprodukten sind stets die medizinische Praxis sowie die Vorschriften für biologisch gefährliches Material des jeweiligen Landes zu befolgen.

## 2.7 Berichterstattung

Bitte beachten Sie, dass alle schwerwiegenden Vorfälle, die sich im Zusammenhang mit dem Produkt ereignet haben, dem Hersteller sowie den nationalen Behörden des Landes gemeldet werden müssen, in dem der Benutzer und/oder der Patient ansässig ist.

## 3. Technische Spezifikationen

Beschreibung	Spezifikation
Betriebstemperatur (für eine optimale Lebensdauer des Akkus)	+5 °C bis +25 °C +41 °F bis +77 °F
Aufbewahrungs- und Transporttemperatur (für eine optimale Lebensdauer des Akkus)	-20 °C bis +25 °C -4 °F bis +77 °F
Betriebsfeuchtigkeit (für eine optimale Lebensdauer des Akkus)	15 % bis 93 % relative Luftfeuchtigkeit, 700 hPa bis 1060 hPa
Luftfeuchtigkeit bei Lagerung	0 % bis 45 % relative Luftfeuchtigkeit
Zu erwartende Nutzungsdauer	1 bis 5 Jahre
Anwendungsteil	Anwendungsteil vom Typ BF (gesamtes Produkt)
Betriebsweise	30 Minuten Aktivierung innerhalb von 24 Stunden
Energiequelle	Interne Speisung
Abmessungen	Provox SolaTone Plus 118 mm (4,6 Zoll); Provox TruTone Emote 113 mm (4,5 Zoll); Provox TruTone Plus 113 mm (4,5 Zoll)
Gewicht	Provox SolaTone Plus 130 g (0,29 Pfund); Provox TruTone Emote 130 g (0,29 Pfund); Provox TruTone Plus 131 g (0,29 Pfund)
Spezifikationen des Ladegeräts	5 V, 750 mA Minimum (oder 0,75 A Minimum)

## 4. Compliance

Das Produkt wurde geprüft und entspricht der IEC 60601-1-2 mit der für die häusliche Umgebung angenommenen Prüfstufe.

## 1. Algemene informatie

### 1.1 Beoogd gebruik

Een elektrolarynx is een kunstmatige larynx die op batterijen werkt, extern wordt aangebracht en is bestemd om geluid te produceren wanneer de larynx niet gebruikt kan worden. Wanneer dit apparaat tegen de huid voor de stembanden wordt gehouden, of wanneer een slang in de mondholte wordt ingebracht (met een mondadapter), produceert het apparaat mechanische trillingen, die in de mond- en neusholte resoneren en op een gebruikelijke manier door de tong en de lippen kunnen worden gemoduleerd. Op deze manier kan spraak worden voortgebracht.

### 1.2 Contra-indicaties

Dit hulpmiddel mag uitsluitend in overeenstemming met de gebruiksaanwijzing worden gebruikt. Gebruikers die fysiek, cognitief of mentaal niet in staat zijn om de hulpmiddelen zelfstandig te bedienen, mogen de hulpmiddelen niet zelfstandig gebruiken en mogen deze alleen gebruiken onder voldoende toezicht van een clinicus of opgeleide zorgverlener. Het hulpmiddel mag niet rechtstreeks op fragiel nekweefsel met zwakke bloedvaten worden toegepast. Dit kan weefselschade of bloedingen veroorzaken. Patiënten met deze aandoening mogen het hulpmiddel uitsluitend gebruiken als ze van hun clinicus specifieke instructies over het gebruik van het hulpmiddel en de plek van veilige toepassing hebben gekregen.

### 1.3 Beschrijving van het hulpmiddel

Een elektrolarynx is een kunstmatige larynx die op batterijen werkt, extern wordt aangebracht op onbeschadigde huid en die wordt gebruikt wanneer de larynx ontbreekt of niet gebruikt kan worden om geluid te produceren.

### 1.4 Waarschuwingen

- Het niet opvolgen van de veiligheidsinstructies kan leiden tot persoonlijk letsel of beschadiging van het hulpmiddel. Lees alle onderstaande veiligheidsinformatie voordat u het hulpmiddel gebruikt.
- Onjuist gebruik van het hulpmiddel of het niet opvolgen van de instructies in deze gebruiksaanwijzing kan leiden tot lichamelijk letsel en/of beschadiging van het hulpmiddel.
- Gebruik het hulpmiddel niet tussen personen, dit kan kruisbesmetting veroorzaken. Het hulpmiddel is uitsluitend bestemd voor gebruik door één patiënt.
- Schakel het hulpmiddel niet in, gebruik het niet en laad het niet op als het is blootgesteld aan of is laten vallen in water of andere vloeistoffen, aangezien dit tot persoonlijk letsel en/of beschadiging van het hulpmiddel kan leiden.
- Controleer de oplader voorafgaand aan het opladen op beschadigingen. Een beschadigde of niet-functionerende oplader mag niet meer worden gebruikt, aangezien dit brand of persoonlijk letsel kan veroorzaken of het hulpmiddel kan beschadigen.
- Gebruik alleen goedgekeurde opladers, aangezien het gebruik van niet-goedgekeurde opladers tot brand, persoonlijk letsel of schade aan het hulpmiddel kan leiden.
- Probeer geen niet-oplaadbare batterijen op te laden, aangezien dit tot persoonlijk letsel of beschadiging van het hulpmiddel kan leiden.
- Vervang oplaadbare batterijen niet door niet-oplaadbare batterijen, aangezien dit tot persoonlijk letsel of beschadiging van het hulpmiddel kan leiden.
- Beschadig de batterijen niet fysiek, aangezien dit tot persoonlijk letsel of beschadiging van het hulpmiddel kan leiden.



- Bewaar batterijen niet in een zak, portemonnee, doos of lade waar ze elkaar kunnen kortsluiten of kortgesloten kunnen worden door geleidende materialen zoals munten of sleutels, aangezien dit tot persoonlijk letsel of beschadiging van het hulpmiddel kan leiden.
- Gebruik geen lekkende batterij, aangezien dit tot persoonlijk letsel of beschadiging van het hulpmiddel kan leiden.
- Stel de lithiumbatterij niet bloot aan temperaturen buiten de temperatuurbereiken op het label, aangezien dit tot persoonlijk letsel of beschadiging van het hulpmiddel kan leiden.
- Wees voorzichtig wanneer u de batterijen vervangt. Een onjuiste plaatsing van de batterijen kan tot een gevaarlijke situatie leiden, zoals extreme hitte of brand, en dit kan resulteren in persoonlijk letsel of beschadiging van het hulpmiddel of andere eigendommen.
- Het hulpmiddel bevat een magneet die magnetische en elektromagnetische velden genereert die interferentie kunnen veroorzaken met pacemakers of andere implanteerbare hulpmiddelen, en bepaalde procedures of behandelingen kunnen verstoren. Houd een minimale afstand van 6"/15 cm aan tussen het hulpmiddel en eventuele medisch geïmplanteerde hulpmiddelen. Neem contact op met uw arts alvorens een medische ingreep of behandeling te ondergaan. Als u vermoedt dat er interferentie tussen het hulpmiddel en medisch geïmplanteerde hulpmiddelen optreedt, dient u het gebruik te staken en contact op te nemen met uw arts.
- Plaats geen enkel deel van het hulpmiddel of de accessoires in de stoma, aangezien dit tot persoonlijk letsel kan leiden.
- Pas het hulpmiddel niet aan, aangezien dit tot persoonlijk letsel of beschadiging van het hulpmiddel kan leiden.
- Het hulpmiddel bevat kleine onderdelen die los kunnen raken en verstikkingsgevaar kunnen veroorzaken. Buiten bereik van kleine kinderen houden.

## 1.5 Voorzorgsmaatregelen

- Pas op dat u de bedrading van de batterij niet beschadigt wanneer u het batterijkapje opent/sluit.
- Het niet opvolgen van onderhoudsinstructies kan tot persoonlijk letsel of beschadiging van het hulpmiddel leiden.
- Gebruik nooit een defect, gemodificeerd of aangepast hulpmiddel en laad een defect, gemodificeerd of aangepast hulpmiddel nooit op, aangezien dit tot persoonlijk letsel en/of beschadiging van het apparaat kan leiden.
- Het hulpmiddel en batterijen kunnen warm worden (tot 45 °C/113 °F) tijdens het opladen. Laat het hulpmiddel afkoelen voordat het in gebruik wordt genomen.
- Het hulpmiddel kan warm worden tijdens het gebruik. Tref de nodige voorzorgsmaatregelen wanneer het voor gebruik op de hals wordt geplaatst.
- Bij langdurig gebruik kunnen de trillingen bij sommige gevoelige gebruikers ongemak veroorzaken.
- Het hulpmiddel kan defecten vertonen of niet meer werken als gevolg van interferentie met elektromagnetische velden van andere hulpmiddelen.
- Pas op dat u niet op de orale slang kauwt/bijt, aangezien dit schade aan het gebit kan veroorzaken.
- Laat het hulpmiddel niet vallen, aangezien dit tot beschadiging van het hulpmiddel kan leiden.
- Het hulpmiddel kan een gevoel van inspanning en vermoeidheid in de schouder/arm veroorzaken bij personen die schouderproblemen ervaren.

## 2. Gebruiksaanwijzing

**Definities:** TTE = *Provox TruTone Emote*, TTP = *Provox TruTone Plus*, TTE/P = *beide Provox TruTone-producten*, STP = *Provox SolaTone Plus*

### 2.1 Inhoud

#### Doosinhoud

- Elektrolarynx
- IFU – gebruiksaanwijzing
- Orale adapter
- Pakket met verschillende orale slangen
- Micro-USB-kabel
- Adapter voor extra scherp geluid (TTE/P)
- 2 oplaadbare AA NiMH-batterijen (STP)
- Draagkoord

#### Onderdeelspecificatie (afbeelding 1)

- A. Geluidsadapter (x2 TTE/P) (x1 STP) (inclusief geluidsknop en schuimring)
- B. Afstandsring geluidsadapter (TTE/P)
- C. Aan-uitknop (Emotion™-knop in TTE/P)
- D. Draaiknop voor volume
- E. Behuizing
- F. Batterij
- G. Batterijkapje
- H. Batterij-aansluiting (TTE/P)
- I. Orale slang (2 + 2)
- J. Orale adapter
- K. Draaiknop voor toonafstelling (hoogte)
- L. Led-indicatielampje
- M. Modusknop (TTE/P)
- U. USB-stofkap (TTE/P)
- V. USB-oplaadaansluiting

### 2.2 Gebruiksaanwijzingen

#### 2.2.1 Het volumeniveau en vermogen

- Het hulpmiddel wordt uitgeschakeld door de volumeknop (D) helemaal naar beneden te draaien.
- Schakel het toestel in en pas het volume aan door de volumeknop naar boven te draaien (D).

#### 2.2.2 De toon bijstellen

- Stel de toon bij door aan de toon-afstelknop (K) te draaien.
- Houd de aan-uitknop (C) ingedrukt terwijl u uw eerste aanpassing aanbrengt om de verschillen te horen.
- Als u de toonknop (K) gebruikt zonder de aan-uitknop (C) ingedrukt te houden, verandert de toon nog steeds zonder dat u het verschil kunt horen.

#### 2.2.3 De modus instellen (TTE/P)

Om de modus te wijzigen, verwijdert u eerst het batterijkapje en drukt u vervolgens tegelijkertijd op de modusknop (M) en op de aan-uitknop (C). De modus verandert onmiddellijk, maar als u de aan-uitknop ingedrukt houdt, hoort u een pieptoon, waarmee de nieuwe instelling van de modus wordt aangegeven. Het aantal pieptonen en de hoogte van de pieptonen geven aan welke modus ingesteld is.

Provox TruTone Emote (TTE) beschikt over zes modi (1-6) en Provox TruTone Plus (TTP) beschikt over twee modi (1-2).

**Modi 1-4:** Vier vooraf ingestelde bereiken.

Modus 1 – Bijna monotoon	1 pieptoon
Modus 2 – Lage tonale variaties – bereik 1/2 octaaf	2 pieptonen
Modus 3 – Middelhoge tonale variaties	3 pieptonen
Modus 4 – Hoge tonale variaties – bereik 2 octaven	4 pieptonen

**Modi 5-6 (TTE):** In de volumemodus kunt u het volume regelen met de aan-uitknop (C) in plaats van de toon (K). Dit is bestemd voor mensen die de toonregeling niet gebruiken, en maakt volumeregeling mogelijk zonder de draaiknop te bewegen. Een zeer lichte aanraking laat u met uw ‘fluisterstem’ spreken, terwijl stevig indrukken geluid op vol volume afgeeft. De draaiknop voor de volumeregeling beperkt nog altijd het maximale volume. Als u naar deze modi overschakelt, hoort u een oplopende toon in plaats van een constante pieptoon.

Modus 5 – Lage gevoeligheid; vol volume vereist meer druk. 2 oplopende tonen

Modus 6 – Hoge gevoeligheid; vol volume vereist minder druk. 3 oplopende tonen

## 2.2.4 Een geluidsadapter kiezen

Als u hard halsweefsel heeft of u zich in een luidruchtige omgeving bevindt. De grijze geluidsadapter kan worden gebruikt vanwege het scherpere geluid. (Zie 2.3.2 De geluidsadapter vervangen)

## 2.2.5 De afstandsring voor de geluidsadapter (B) gebruiken – (TTE/P)

Als u regelmatig een hogere toon gebruikt en de voorkeur geeft aan de toonkwaliteiten zonder afstandsring voor de geluidsadapter, kunt u deze verwijderen. (Zie 2.3.3 De afstandsring voor de geluidsadapter toevoegen/verwijderen)

## 2.2.6 De batterij opladen

- Verwijder de USB-stofkap (U) uit de bovenkant. (TTE/P)
- Steek de micro-USB-kabel in de USB-oplaadaansluiting (V) met een stekker die is goedgekeurd voor het laden via een stopcontact.
- Controleer of het led-indicatielampje (L) brandt.
- Koppel het hulpmiddel los wanneer het opladen is voltooid om stroom te besparen. Gebruik het hulpmiddel totdat het volume begint te vervagen, wat gebeurt bij een batterij die voor 80% leeg is.

### Led-indicatielampje (L)

- Batterij bijna leeg (TTE/P) – Het lampje gaat branden wanneer u op de aan-uitknop drukt om aan te geven dat het bijna tijd is om het hulpmiddel op te laden.
- Opladen – Lampje brandt onophoudelijk
- Volledig opgeladen – Lampje knippert

## 2.2.7 Halsplaatsing elektrolarynx

- Plaats de geluidsadapter (A) tegen uw hals en activeer de aan-uitknop (C). Steek geen enkel deel van het hulpmiddel of de accessoires in de stoma.
- Spreek als geluid naar uw mond wordt overgebracht. Forceer de lucht niet naar buiten.
- Zorg voor een luchtdichte afdichting tussen de geluidsadapter en uw hals.
- Probeer verschillende posities totdat u het beste geluid krijgt. Onthoud dat zelfs een positieverandering van 3 mm/1,8" een grote invloed op het geluidsvolume kan hebben.
- Als u geen geluidsoverdracht via uw hals kunt bereiken of als u het hulpmiddel om medische redenen niet tegen uw hals kunt plaatsen, kunt u proberen het hulpmiddel tegen uw wang te plaatsen of de orale adapter te gebruiken (zie 2.3.4 Plaatsing/gebruik van de optionele orale adapter/slang).
- Als u de basistoon hoger of lager afstelt, kan de stem beter klinken.
- Middentonen zijn voor de meeste mensen beter hoorbaar.

## 2.2.8 Optionele orale adapter en orale slangen

Als plaatsing in de hals niet mogelijk is voor u vanwege een gevoelige hals of overmatig zoemen, kunt u de orale adapter gebruiken. (2.3.4 Plaatsing/gebruik van de orale adapter/slang)

## 2.2.9 Richtlijnen voor gebruik ter demonstratie

### **Waarschuwing!**

De orale adapter, de orale slang en de geluidsadapter zijn uitsluitend bestemd voor gebruik bij één patiënt en mogen niet tussen patiënten worden hergebruikt.

### **Voorzorgsmaatregelen!**

Voer na elk gebruik bij patiënten en het gebruik ter demonstratie onderhoud uit aan het hulpmiddel in overeenstemming met de onderhoudsinstructies.

- Het gebruik ter demonstratie dient om vast te stellen of de patiënt geschikt is voor het hulpmiddel.
- Gebruikers dienen handschoenen te dragen of de handen te reinigen en te ontsmetten met isopropylalcohol (IPA) of een ander geschikt ontsmettingsmiddel.
- De geluidsadapter (A) (inclusief de geluidsknop en schuimring) moet na elk gebruik bij een patiënt worden vervangen en weggegooid (2.3.2 De geluidsadapter vervangen).
- Het hulpmiddel moet voor en na elke patiënt worden afgenomen, in overeenstemming met 2.3.1 Onderhoud aan het hulpmiddel uitvoeren.

## 2.3 Onderhoud en vervanging van onderdelen

### 2.3.1 Onderhoud aan het hulpmiddel uitvoeren

- De gebruiker is verantwoordelijk voor het onderhoud. Na elk gebruik moet onderhoud worden uitgevoerd.
- Neem het hulpmiddel af met een schone, droge doek of, indien nodig, een licht bevochtigde doek (niet doorweekt). Gebruik water met milde zeep of isopropylalcohol 50-75%.
- Zorg ervoor dat er geen vocht in het hulpmiddel komt.
- Gebruik geen elektrische of sprayreinigers.

### 2.3.2 De geluidsadapter vervangen (afbeelding 5)

Neem voor vervangende geluidsadapters contact op met uw plaatselijke vertegenwoordiger.

1. Neem het hulpmiddel af in overeenstemming met 2.3.1. Onderhoud. Oefen lichte druk uit en neem de aan-uitknop af met een (rond)draaiende beweging. Neem, nadat de behuizing is afgenomen, ook het geluidsadapterkapje af, maar zorg ervoor dat u niet te veel druk uitoefent, waardoor de bovenste geluidsknop zou kunnen losraken.
2. Verwijder de geluidsadapter door deze los te schroeven.
3. Zorg ervoor dat de afstandsring van de geluidsadapter (B) nog altijd geplaatst is. Vervang deze als hij kapot is of ontbreekt voordat u de nieuwe geluidsadapter (A) (TTE/P) plaatst (zie 2.3.3 De afstandsring voor de geluidsadapter toevoegen/verwijderen).
4. Plaats een nieuwe geluidsadapter (A).

**Voorzorgsmaatregelen:** Verwijder het siliconenmembraan onder de geluidsadapter niet. Het siliconenmembraan moet in de groef op de stang van de spoel/stelaandrijving worden geborgd. **(Afbeelding 3)**

**Voorzorgsmaatregelen:** Draai de spoel/stelaandrijving niet. De draden dienen soepel rond de spoel/stelaandrijving te lopen. **(Afbeelding 3)**

### 2.3.3 De afstandsring voor de geluidsadapter toevoegen/verwijderen (afbeelding 2)

1. Schroef de geluidsadapter los.
2. Plaats/verwijder de afstandsring.
3. Schroef de geluidsadapter weer vast.
4. Test het hulpmiddel en luister naar de toonkwaliteiten. Als u de voorkeur geeft aan de toonkwaliteiten zonder afstandsring, dient u de afstandsring op een veilige plaats op te bergen, zoals in de doos waarin uw hulpmiddel geleverd is.

### 2.3.4 Plaatsing/gebruik van de orale adapter/slang (afbeelding 3)

1. Breng de orale slang (I) in de bovenzijde van de orale adapter (J) in.

**Voorzorgsmaatregelen:** Breng de orale slang niet verder in dan de aanslag. Zorg ervoor dat de slang niet in het kagdeelte uitsteekt.

2. Plaats de orale adapter boven de geluidsadapter (A).

**Voorzorgsmaatregelen:** Draai deze niet aan.

3. Plaats de orale slang in uw mond, in de mondhoek.
4. Activeer de elektrolarynx. Spreek rond de orale slang.

### 2.3.5 De batterij vervangen

#### STP

Twee 1,5 V oplaadbare nikkel-metaalhydride (NiMH) AA-batterijen.

- Plaats de batterij (F) volgens de pijlen aan de binnenkant van de STP (afbeelding 1).

#### TTE/P:

Gebruik alleen goedgekeurde lithium-ionbatterijen. Neem voor meer informatie contact op met distributeurs.

- Plaats de batterij (F) zoals afgebeeld (afbeelding 1); deze past maar op één manier. Het uittijningsetiket van de batterijaansluiting (H) wijst naar boven, met de rode draad naar rechts. (**Afbeelding 1**)

## 2.4 Probleemoplossing

### 2.4.1 Onvoldoende verstaanbaarheid tijdens telefoongesprekken

#### telefoongesprekken

1. Plaats de microfoon van uw telefoon bij de neus, niet onder de mond. Hierdoor houdt u de microfoon op afstand van het geluid van de stoma en de elektrolarynx.
2. Verlaag het volume van de elektrolarynx zodat het zo zacht mogelijk staat, terwijl er toch een toon wordt geproduceerd.

### 2.4.2 Hulpmiddel 'leeg', 'defect' of 'werkt niet meer'

1. Zorg ervoor dat de volumeknop (D) niet helemaal naar beneden is gedraaid om het hulpmiddel uit te schakelen.
2. Draai de volumeknop (D) helemaal naar beneden om het hulpmiddel uit te schakelen.
3. Druk voorzichtig op de aan-uitknop (C) en verhoog de druk. Als het hulpmiddel tijdens het proces wordt geactiveerd en gedeactiveerd, moet het hulpmiddel ter vervanging worden opgestuurd. (Zie 2.5.1 Onderhoud en hulp)
4. Als het ledlampje altijd brandt als de aan-uitknop (C) wordt ingedrukt, is de batterij van het hulpmiddel bijna leeg en moet deze worden opgeladen. (TTE/P)

5. Sluit een werkende micro-USB-kabel, die is verbonden met een stopcontact, aan op het hulpmiddel. Als het hulpmiddel wordt ingeschakeld en het ledlampje knippert, dan is de batterij van het hulpmiddel losgekoppeld. Verwijder het batterijkapje en druk de stekker van de batterijkabel (zwart plastic waar de zwarte en rode draden naartoe lopen) verder in de behuizing.

### 2.4.3 Opladlampje (L) gaat niet aan tijdens het opladen

1. Test het stopcontact met behulp van een lamp.
2. Zorg ervoor dat de micro-USB-kabel volledig is aangesloten op de voeding en het hulpmiddel.
3. Probeer een andere micro-USB-kabel.
4. Probeer een andere stroomvoorziening (USB-stopcontact).
5. Test de oplader en kabel op een mobiele telefoon of een ander apparaat.

#### STP

6. Controleer of de batterij (of batterijen) oplaadbaar is.  
Het hulpmiddel laadt geen niet-oplaadbare batterijen op.

7. Zorg ervoor dat de batterijen op de juiste manier zijn geplaatst. Controleer of de batterijen in de juiste richting liggen, waarbij de +-pool van de batterij richting de + op het hulpmiddel wordt geplaatst.

#### TTE/P:

8. Sluit een werkende micro-USB-kabel, die is verbonden met een stopcontact, aan op het hulpmiddel en druk op de aan-uitknop (C). Als het hulpmiddel wordt ingeschakeld en het ledlampje knippert, is de batterij van het hulpmiddel losgekoppeld. Verwijder het batterijkapje (G) en druk de batterijconnector (H) dieper in de behuizing.

### 2.4.4 Hulpmiddel 'zoemt te veel', 'klinkt raar', 'is gedempt' of 'niet helder'

1. Zorg ervoor dat de geluidsadapter (A) volledig in contact is met de huid van de hals.
2. Probeer een andere plaats op de hals. (Zie 2.2.7 Halsplaatsing elektrolarynx)
3. Verminder het volume (D).
4. Stel de toon bij (K).
5. Gebruik de orale adapter (zie Plaatsing/gebruik van de orale adapter en orale slang 2.3.4).
6. Controleer het kapje. Als de geluidsknop los lijkt te zitten of enigszins verschoven is of als de schuimring beschadigd lijkt, moet de schuimring van het hulpmiddel mogelijk worden vervangen.
7. Verwijder de geluidsadapter (A) en controleer de binnenkant.
  - Is er een klein stukje rubber op zijn plaats gelijmd in het midden van de geluidsadapter (A)? Zo niet, dan moet de geluidsknop van het hulpmiddel worden vervangen. (Zie 2.5.1 Onderhoud en hulp)
  - Controleer of het membraan aan de spoelstang is bevestigd. Controleer of de spoel vrij op en neer kan bewegen wanneer deze wordt aangeraakt en of de spoel niet korrelig aanvoelt (afbeelding 4)

#### TTE/P:

1. Probeer de optionele extra scherpe geluidsadapter (2.3.2 De geluidsadapter vervangen) (afbeelding 5)

## 2.4.5 'De geluidsadapter (A) is uit elkaar gevallen' of de geluidsknop is uit het kapje geduwd

1. Controleer of de schuimring beschadigd is.
2. Als de schuimring niet is beschadigd, kan de oorspronkelijke schuimring worden hergebruikt, waarna het hulpmiddel weer in elkaar kan worden gezet.
3. Als de schuimring beschadigd is, moet deze vervangen worden.

### TTE/P:

De gevoeligheid van de knopsensor kan te hoog zijn. Probeer een andere MODUS, gewoonlijk een lagere modus.

## 2.4.6 Knop 'blijft steken'

1. Lees het algemene reinigingsadvies (2.3.1 Onderhoud aan het hulpmiddel uitvoeren)
2. Gebruik een wattenstaafje met een kleine hoeveelheid aanbevolen alcohol (2.3.1 Onderhoud aan het hulpmiddel uitvoeren) om de omgeving rondom de aan-uitknop 5-6 keer schoon te maken. Druk vervolgens 5-6 keer op de aan-uitknop.
3. Druk afwisselend op de aan-uitknop en maak de omgeving rondom de knop schoon met een wattenstaafje. Ga door tot de knop niet meer blijft steken.
4. Gebruik een dikker stuk papier om vuil te verwijderen dat vastzit in de groef van de aan-uitknop.

## 2.4.7 Onregelmatige toon (TTE/P)

Gebruik een modus met een lagere gevoeligheid. (Zie 2.2.3 De modus instellen)

## 2.4.8 Onregelmatig volume (TTE/P)

Gebruik een modus die geen volumemodus is. (Zie 2.2.3 De modus instellen)

## 2.4.9 Hulpmiddel verstoort de radio- of tv-ontvangst

1. Laat de antenne een andere richting op wijzen of verplaats deze.
2. Vergroot de afstand tussen de apparatuur en de ontvanger.
3. Sluit het apparaat aan op een stopcontact van een ander circuit dan dat waarop de ontvanger is aangesloten.
4. Neem contact op met de leverancier of een ervaren radio-/tv-technicus voor hulp.

## 2.5 Onderhoud

### 2.5.1 Onderhoud en hulp

De elektrolarynx bevat geen andere onderhoud vereisende onderdelen dan die welke door de patiënt kunnen worden verwijderd. Tot de onderdelen waaraan onderhoud kan/moet worden verricht, behoren onder andere: batterijen, geluidsadapter, afstandsring van de geluidsadapter, schuimring, orale adapter en orale slangen. Neem voor hulp bij het gebruik of onderhoud van uw elektrolarynx en voor het bestellen van beschikbare onderdelen contact op met uw plaatselijke vertegenwoordiger.

## 2.6 Afvoer

Volg bij het afvoeren van een gebruikt medisch hulpmiddel altijd de medische gebruiken en nationale voorschriften met betrekking tot biologisch gevaar.

## 2.7 Rapportage

Let op: elk ernstig incident dat zich in verband met het hulpmiddel heeft voorgedaan, moet worden gemeld aan de fabrikant en de nationale autoriteit van het land waar de gebruiker en/of de patiënt woont.

### 3. Technische specificaties

Beschrijving	Specificatie
Bedrijfstemperatuur (voor een optimale levensduur van de batterij)	+5 °C tot +25 °C +41 °F tot +77 °F
Opslag- en transporttemperatuur (voor een optimale levensduur van de batterij)	-20 °C tot +25 °C -4 °F tot +77 °F
Bedrijfsvochtigheid (voor een optimale levensduur van de batterij)	15% tot 93% relatieve vochtigheid, 700 hPa tot 1060 hPa
Opslagvochtigheid	0% tot 45% relatieve vochtigheid
Verwachte levensduur	1-5 jaar
Toegepast onderdeel	Toegepast onderdeel type BF (hele hulpmiddel)
Gebruiksduur	30 minuten actief in een periode van 24 uur
Voedingsbron	Intern gevoed
Afmetingen	Provox SolaTone Plus 118 mm (4,6 inch); Provox TruTone Emote 113 mm (4,5 inch); Provox TruTone Plus 113 mm (4,5 inch)
Gewicht	Provox SolaTone Plus 130 g (0,29 lbs); Provox TruTone Emote 130 g (0,29 lbs); Provox TruTone Plus 131 g (0,29 lbs)
Oplaapecificaties	5 V, 750 mA minimum (of 0,75 A minimum)

### 4. Compliantie

Het hulpmiddel is getest en voldoet aan de IEC 60601-1-2 met een testniveau dat aanvaardbaar is voor huiselijke omgevingen.



# 1. Description générale

## 1.1 Utilisation prévue

Un électrolarynx est un larynx artificiel alimenté par une pile, posé en externe et destiné à être utilisé en l'absence de larynx pour produire des sons. Lorsqu'il est maintenu contre la peau dans la zone du larynx, ou via l'insertion d'un tube dans la cavité buccale (avec une sonde buccale), l'appareil génère des vibrations mécaniques qui résonnent dans les cavités buccale et nasale et peuvent être modulées par la langue et les lèvres de manière normale, permettant ainsi la production de la parole.

## 1.2 Contre-indications

L'appareil doit être utilisé conformément au mode d'emploi. Les utilisateurs qui ne présentent pas les aptitudes physiques, cognitives et mentales nécessaires pour faire fonctionner cet appareil ne doivent pas l'utiliser seuls mais uniquement sous la supervision d'un praticien ou de personnel soignant formé. L'appareil ne doit pas être directement appliqué sur la peau fine du cou présentant des vaisseaux fragiles. Cela peut provoquer des lésions tissulaires ou des saignements. Les patients souffrant de cette pathologie doivent uniquement utiliser cet appareil après avoir reçu de leur praticien toutes les informations nécessaires sur son utilisation et l'endroit où l'appliquer en toute sécurité.

## 1.3 Description du dispositif

Un électrolarynx est un larynx artificiel alimenté par une pile, posé en externe et destiné à être utilisé sur la peau non endommagée en l'absence de larynx ou en cas d'incapacité de produire des sons avec le larynx.

## 1.4 Avertissements

- Le non-respect des consignes de sécurité peut entraîner des blessures corporelles ou endommager l'appareil. Lisez toutes les informations de sécurité ci-dessous avant d'utiliser l'appareil.
- L'utilisation incorrecte de l'appareil ou le non-respect des instructions contenues dans le présent mode d'emploi peut entraîner des blessures corporelles et/ou endommager l'appareil.
- Ne partagez pas l'appareil avec d'autres personnes, cela peut provoquer une contamination croisée. Le dispositif est prévu à l'usage d'un seul patient.
- N'allumez pas, n'utilisez pas et ne chargez pas l'appareil s'il a été exposé à l'eau ou à d'autres liquides ou s'il est tombé dans l'eau ou dans d'autres liquides, car cela peut provoquer des blessures et/ou endommager l'appareil.
- Avant de charger, vérifiez que le chargeur n'est pas endommagé. Un chargeur endommagé ou ne fonctionnant pas ne doit plus être utilisé, car il peut provoquer un incendie, des blessures ou endommager l'appareil.
- N'utilisez que des chargeurs approuvés, car l'utilisation de chargeurs non approuvés peut provoquer un incendie, des blessures ou endommager l'appareil.
- N'essayez pas de charger des piles non rechargeables, car cela pourrait entraîner des blessures ou endommager l'appareil.
- Ne remplacez pas les piles rechargeables par des piles non rechargeables, car cela pourrait entraîner des blessures ou endommager l'appareil.
- N'endommagez pas physiquement les piles, car cela pourrait entraîner des blessures corporelles ou endommager l'appareil.
- Ne rangez pas les piles dans une poche, un sac à main, une boîte ou un tiroir, etc. où elles pourraient se court-circuiter entre elles ou être court-circuitées par des matériaux conducteurs tels que des pièces de monnaie ou des clés, car cela pourrait entraîner des blessures ou endommager l'appareil.

- N'utilisez pas une pile qui fuit, car cela pourrait entraîner des blessures ou endommager l'appareil.
- N'exposez pas la pile au lithium à des températures hors des plages de températures spécifiées sur l'étiquette, car cela pourrait entraîner des blessures ou endommager l'appareil.
- Faites attention lorsque vous remplacez les piles. Une installation incorrecte des piles peut entraîner une situation dangereuse, comme une chaleur extrême ou un incendie, qui pourrait entraîner des blessures corporelles ou endommager l'appareil ou d'autres biens.
- L'appareil contient un aimant qui génère des champs magnétiques et électromagnétiques susceptibles d'interférer avec les stimulateurs cardiaques ou autres dispositifs implantables, ainsi qu'avec certaines procédures ou certains traitements. Maintenez une distance minimale de 6 po/15 cm entre votre appareil et tout dispositif médical implanté. Consultez votre médecin avant toute procédure ou traitement médical. Si vous soupçonnez des interférences entre l'appareil et un dispositif médical implanté, cessez de l'utiliser et consultez votre médecin.
- N'insérez aucune partie de l'appareil ni aucun accessoire dans le trachéostome, car cela pourrait entraîner des blessures.
- Ne modifiez pas l'appareil, car cela pourrait entraîner des blessures corporelles ou endommager l'appareil.
- L'appareil contient de petites pièces qui peuvent se déloger et entraîner un risque d'étouffement. Tenez-les hors de portée des jeunes enfants.

## 1.5 Mises en garde

- Veillez à ne pas endommager le câblage de la pile lorsque vous ouvrez/fermez le capuchon.
- Le non-respect des instructions d'entretien peut entraîner des blessures corporelles et/ou endommager l'appareil.
- N'utilisez jamais un appareil cassé, modifié ou altéré et ne chargez jamais un appareil cassé, modifié ou altéré, car cela pourrait entraîner des blessures corporelles et/ou endommager l'appareil.
- L'appareil et les piles peuvent chauffer (jusqu'à 45 °C/ 113 °F) pendant la charge. Laissez refroidir l'appareil avant de l'utiliser.
- L'appareil peut chauffer pendant son utilisation. Prendre les précautions nécessaires lors du placement sur le cou pour l'utilisation.
- En cas d'utilisation intensive, les vibrations peuvent provoquer une gêne chez certains utilisateurs sensibles.
- L'appareil peut présenter des dysfonctionnements ou cesser de fonctionner en raison d'interférences de champs électromagnétiques provenant d'autres appareils.
- Veillez à ne pas mâcher/mordre le tube oral, car cela pourrait causer des lésions dentaires.
- Veillez à ne pas faire tomber l'appareil, car cela pourrait l'endommager.
- L'appareil peut provoquer une sensation d'effort et de fatigue dans l'épaule/le bras chez les personnes souffrant d'un dysfonctionnement de l'épaule.

## 2. Mode d'emploi

**Définitions :** **TTE** = *Provox TruTone Emote*, **TTP** = *Provox TruTone Plus*, **TTE/P** = *les deux produits Provox TruTone*, **STP** = *Provox SolaTone Plus*

### 2.1 Contenu

#### Contenu de la boîte

- Électrolarynx
- Mode d'emploi
- Adaptateur buccal
- Paquet contenant différents tubes oraux

- Câble micro USB
- Tête sonore très pointue (TTE/P)
- 2 piles rechargeables AA NiMH (STP)
- Cordon

### Caractéristiques des pièces (Illustration 1)

- A. Tête sonore (x2 TTE/P) (x1 STP) (avec bouton de son et anneau en mousse)
- B. Entretoise pour tête de son (TTE/P)
- C. Bouton marche/arrêt (bouton Emotion™ sur TTE/P)
- D. Bouton de volume
- E. Corps
- F. Pile
- G. Capuchon de la pile
- H. Connecteur de pile (TTE/P)
- I. Tube buccal (2 + 2)
- J. Adaptateur buccal
- K. Bouton de réglage de la tonalité (hauteur tonale)
- L. Témoin à LED
- M. Bouton de MODE (TTE/P)
- U. Cache port USB (TTE/P)
- V. Port de charge USB

## 2.2 Consignes d'utilisation

### 2.2.1 Niveau de volume et puissance sonore

- Le bouton de volume (D) est en position arrêt.
- Allumez l'appareil et réglez le volume en tournant le bouton de volume vers le haut (D).

### 2.2.2 Réglage de la tonalité

- Réglez la tonalité en tournant le bouton de réglage de la tonalité (K).
- Maintenez le bouton marche/arrêt (C) enfoncé pendant que vous effectuez votre réglage initial pour entendre les différences.
- L'utilisation du bouton de tonalité (K) sans maintenir le bouton marche/arrêt (C) modifie toujours la tonalité sans qu'il soit possible de l'entendre.

### 2.2.3 Réglage du mode (TTE/P)

Pour changer de mode, retirez d'abord le capuchon de la pile, puis appuyez à la fois sur le bouton de mode (M) et sur le bouton marche/arrêt (C). Le mode change immédiatement, mais si vous maintenez le bouton marche/arrêt enfoncé, l'appareil émet un bip pour indiquer le nouveau réglage de mode. Le nombre de bips et la tonalité des bips indiquent dans quel mode il se trouve.

Le Provox TruTone Emote (TTE) a six modes 1–6 et le Provox TruTone Plus (TTP) a deux modes 1–2.

**Modes 1–4:** Quatre plages prédéfinies.

Mode 1 – Presque monotone	1 bip
Mode 2 – Variations de tonalité grave, plage de 1/2 octave(s)	2 bips
Mode 3 – Variations de tonalité médium	3 bips
Mode 4 – Variations de tonalité aiguë, plage de 2 octaves	4 bips

**Modes 5–6 (TTE) :** Le mode Volume vous permet de contrôler le volume au lieu de la tonalité (K) avec le bouton marche/arrêt (C). Ceci s'adresse aux personnes qui n'utilisent pas la commande de tonalité et permet de contrôler le volume sans tourner le bouton. Une très légère pression sur le bouton vous permet de parler avec votre « voix chuchotée », alors qu'une pression plus ferme émet un son à plein volume. Le bouton de commande du volume limite toujours votre volume maximum. Le passage entre ces modes émet un son « Woup » (avec une tonalité croissante) plutôt qu'un bip sonore régulier.

Mode 5 : faible sensibilité, le plein volume nécessite une pression plus importante. 2 « Woup »

Mode 6 : sensibilité élevée, le plein volume nécessite une pression moins importante. 3 « Woup »

## 2.2.4 Choix de la tête sonore

Si vous avez des tissus durs au niveau du cou ou si vous êtes dans un environnement bruyant. La tête sonore grise peut être utilisée en raison du son plus clair. (Voir 2.3.2 Remplacement de la tête sonore)

## 2.2.5 Utilisation de l'entretoise de tête sonore (B) - (TTE/P)

Si vous utilisez régulièrement une tonalité plus élevée et que vous préférez les qualités tonales sans l'entretoise de tête sonore, vous pouvez la retirer. (Voir 2.3.3 Ajout/retrait de l'entretoise de la tête sonore)

## 2.2.6 Chargement de la batterie

- Retirez le cache-poussière USB (U) par l'extrémité supérieure. (TTE/P)
- Insérez le micro-USB dans la prise de charge USB (V) avec une fiche approuvée pour la charge murale.
- Vérifiez que le témoin à LED (L) est allumé.
- Débranchez l'appareil lorsque la charge est terminée pour économiser la pile. Utilisez la pile jusqu'à ce que le volume commence à s'estomper, ce qui correspond à une pile déchargée à 80 %.

### Témoin à LED (L)

- Pile faible (TTE/P) - Le voyant s'allume lorsque vous appuyez sur le bouton marche/arrêt, signalant que le moment de la recharge approche.
- Chargement - Lumière fixe
- Charge complète - Lumière clignotante

## 2.2.7 Mise en place du col de l'électrolarynx

- Placez la tête sonore (A) de l'appareil contre votre cou et appuyez sur le bouton marche/arrêt (C). N'insérez aucune partie de l'appareil ou ses accessoires dans le trachéostome.
- Parlez lorsque le son est transmis à votre bouche. Ne forcez pas l'expiration.
- Veillez à bien maintenir la tête de l'appareil contre votre cou.
- Essayez différentes positions jusqu'à ce que vous obteniez le meilleur son. Noter que même un changement de position de 3 mm/1/8 po peut modifier considérablement le volume sonore.
- Si vous ne parvenez pas à obtenir une transmission du son par le cou ou si vous ne pouvez pas placer l'appareil contre votre cou pour des raisons médicales, essayez de le placer sur la joue ou utilisez l'adaptateur buccal (voir installation/utilisation de l'adaptateur buccal/tube en option 2.3.4)
- L'augmentation ou la réduction de la tonalité de base peut produire une meilleure voix.
- La plupart des personnes perçoivent mieux les tonalités médium.

## 2.2.8 Adaptateur buccal et tubes buccaux en option

Si la mise en place dans le cou ne vous convient pas en raison d'un cou sensible ou d'un bourdonnement excessif, vous pouvez utiliser l'adaptateur oral. (Installation/utilisation de l'adaptateur/tube oral 2.3.4)

## 2.2.9 Recommandations pour une utilisation à des fins de démonstration

### Avvertissement :

l'adaptateur buccal, les tubes buccaux et la tête sonore sont destinés à un seul patient et ne doivent pas être réutilisés par d'autres patients.

### **Mise en garde !**

Entretenez l'appareil après chaque patient et chaque utilisation de démonstration conformément aux instructions d'entretien.

- L'utilisation de démonstration est destinée à déterminer si le patient est apte à utiliser l'appareil.
- Les utilisateurs doivent se nettoyer et se désinfecter les mains avec de l'alcool isopropylique (IPA) ou avec un autre désinfectant approprié, ou utiliser des gants.
- La tête sonore (A) (y compris le bouton sonore et l'anneau en mousse) doit être remplacée et jetée entre chaque patient (2.3.2 Remplacement de la tête sonore).
- Le dispositif doit être essuyé avant et après chaque patient conformément au point 2.3.1 Entretien du dispositif.

## **2.3 Maintenance et changement de pièces**

### **2.3.1 Entretien de l'appareil**

- Les tâches d'entretien relèvent de la responsabilité de l'utilisateur. L'entretien doit être effectué après chaque utilisation.
- Essuyez l'appareil avec un chiffon propre et sec ou, si nécessaire, avec un chiffon légèrement humide (mais pas mouillé). Utilisez de l'eau avec un savon doux ou de l'alcool isopropylique à 50-75%.
- Veillez à ne pas mouiller l'intérieur de l'appareil.
- Ne pas utiliser de nettoyeurs électriques ou en spray.

### **2.3.2 Remplacement de la tête sonore (Illustration 5)**

Contactez votre représentant local pour obtenir des têtes de rechange.

1. Essuyez l'appareil conformément à la section 2.3.1. Entretien. N'appliquez pas une pression trop forte et essuyez le bouton de conversation avec un mouvement circulaire ou de rotation. Après avoir essuyé le corps, essuyez capuchon de la tête sonore, en veillant à ne pas exercer trop de pression, ce qui risquerait de déloger le bouton de son supérieur.
2. Retirez la tête en la dévissant.
3. Assurez-vous que l'entretoise de la tête sonore (B) est toujours installée. Remplacez-la si elle est cassée ou manquante avant d'installer la nouvelle tête sonore (A) (TTE/P) (Voir 2.3.3 Ajouter/retirer l'entretoise de la tête sonore).
4. Installez une nouvelle tête sonore (A).

**Mise en garde :** ne pas retirer le diaphragme en silicone situé en dessous de la tête sonore. Le diaphragme en silicone doit être maintenu dans la rainure de la tige de la bobine/de l'actionneur. (Illustration 3)

**Mise en garde :** ne pas tordre la bobine/l'actionneur. Les fils doivent s'enrouler sans problème autour de la bobine/de l'actionneur. (Illustration 3)

### **2.3.3 Ajouter/retirer l'entretoise de la tête sonore (Illustration 2)**

1. Dévissez la tête.
2. Ajoutez/retirez l'entretoise.
3. Revissez la tête.
4. Testez l'appareil en écoutant la qualité des tonalités. Si vous préférez les qualités sonores sans anneau, assurez-vous de ranger l'anneau dans un endroit sûr, comme la boîte dans laquelle votre appareil a été livré.

### **2.3.4 Installation/utilisation de l'adaptateur/tube buccal (Illustration 3)**

1. Insérez le tube buccal (I) sur le dessus de la sonde buccale (J).

**Mise en garde :** n'insérez pas le tube buccal au-delà de la butée. Veillez à ce que le tube ne dépasse pas dans l'embout.

2. Placez l'adaptateur buccal sur la tête sonore (A).

**Mise en garde :** ne pas le tordre.

3. Placez le tube buccal dans la bouche, dans le coin de la bouche.

4. Activez l'électrolarynx. Parlez autour du tube buccal.

## 2.3.5 Changement de la pile

### STP

Deux piles AA rechargeables de 1,5 V au nickel-hydrure métallique (NiMH).

• Installez la pile (F) en suivant les flèches placées à l'intérieur de la STP (Illustration 1)

### TTE/P :

N'utilisez que des piles Li-Ion approuvées. Contactez les distributeurs pour plus d'informations.

• Installez la pile (F) comme illustré (Illustration 1). Elle ne rentre que dans un sens. La patte d'alignement du connecteur de pile (H) pointe vers le haut, avec le fil rouge à droite. (**Illustration 1**)

## 2.4 Guide de dépannage

### 2.4.1 Intelligibilité non satisfaisante pendant l'utilisation du téléphone

1. Placez le microphone du téléphone près du nez, et non sous la bouche. Cela éloignera le microphone du trachéostome et de l'électrolarynx.

2. Réduisez le volume de l'électrolarynx de façon à ce que le niveau sonore soit aussi faible que possible, tout en continuant à générer un son.

### 2.4.2 Unité « morte », « cassée » ou « qui ne fonctionne plus »

1. Assurez-vous que le bouton de volume (D) n'est pas tourné à fond et que l'appareil n'est pas éteint.

2. Tournez le bouton de volume (D) à fond pour l'éteindre.

3. Appuyez légèrement sur le bouton marche/arrêt (C) et augmentez la pression. Si l'appareil s'active et se désactive au cours du processus, il doit être renvoyé pour être remplacé. (Voir 2.5.1 Service et assistance)

4. Si la LED s'allume chaque fois que le bouton marche/arrêt (C) est enfoncé, cela signifie que la charge de la pile de l'appareil est faible et qu'elle doit être rechargée. (TTE/P)

5. Branchez un câble micro-USB de bonne qualité, alimenté, dans l'appareil. Si l'appareil s'allume et que le voyant clignote, cela signifie que la pile de l'appareil est débranchée. Retirez le capuchon de la pile et enfoncez le connecteur du câble de la pile (plastique noir où passent les fils noir et rouge) plus loin dans le boîtier.

### 2.4.3 Le témoin de charge (L) ne s'allume pas pendant la charge

1. Testez la prise de courant avec une lampe.

2. Assurez-vous que le câble micro-USB est complètement branché dans le bloc d'alimentation et l'appareil.

3. Essayez un autre câble micro USB.

4. Essayez une autre source d'alimentation (prise USB).

5. Testez le chargeur et le câble sur un téléphone portable ou un autre appareil.

### STP

6. Assurez-vous que la ou les piles sont rechargeables.

L'appareil ne charge pas les piles non rechargeables.

7. Assurez-vous que les piles sont insérées correctement. Vérifiez que les piles sont correctement orientées, le + de la pile allant vers le + de l'appareil.

**TTE/P :**

8. Branchez un câble micro USB compatible et alimenté dans l'appareil et activez le bouton marche/arrêt (C). Si l'appareil s'allume et que le voyant lumineux clignote, la pile de l'appareil est débranchée. Retirez le capuchon de la pile (G) et enfoncez le connecteur de la pile (H) dans le boîtier.

#### **2.4.4 L'unité « a trop de bourdonnements », « sonne bizarrement », « est étouffée » ou « n'est pas claire »**

1. Assurez-vous que la tête sonore (A) est en contact total avec la peau du cou.  
2. Essayez un autre endroit sur le cou. (Voir 2.2.7 Mise en place de l'électrolarynx sur le cou)

3. Réduisez le volume (D).

4. Réglez la tonalité (K).

5. Utilisez l'adaptateur buccal (voir Installation/utilisation de l'adaptateur buccal et du tube buccal 2.3.4)

6. Inspecter le capuchon. Si le bouton sonore semble lâche ou a légèrement bougé ou si l'anneau en mousse semble endommagé, l'appareil a peut-être besoin d'un nouvel anneau en mousse.

7. Retirez la tête sonore (A) et regardez à l'intérieur.

- Y a-t-il une petite pièce en caoutchouc collée en place au centre de la tête sonore (A) ? Si ce n'est pas le cas, l'appareil a besoin d'un bouton sonore de remplacement. (Voir 2.5.1 Service et assistance)

- Assurez-vous que le diaphragme est fixé à la borne de la bobine. Assurez-vous que la bobine rebondit librement lorsqu'on la touche et qu'elle n'est pas granuleuse au touché (Illustration 4)

**TTE/P :**

1. Essayez la tête sonore extra fine en option (2.3.2 Remplacement de la tête sonore) (Illustration 5).

#### **2.4.5 « La tête sonore (A) s'est détachée » ou le bouton sonore a été poussé hors du capuchon**

1. Vérifiez si l'anneau en mousse est endommagé.

2. S'il n'est pas endommagé, l'anneau de mousse d'origine peut être réutilisé et réassemblé.

3. S'il est endommagé, il doit être changé.

**TTE/P :**

La sensibilité du bouton-captteur est peut-être trop élevée. Essayez un autre MODE, généralement un mode inférieur.

#### **2.4.6 Bouton « collant »**

1. Lisez les conseils généraux de nettoyage (2.3.1 Entretien de l'appareil).

2. Utilisez un coton-tige avec une petite quantité d'alcool recommandé (2.3.1 Entretien de l'appareil) pour nettoyer autour du bouton d'alimentation 5-6 fois, puis appuyez sur le bouton d'alimentation 5-6 fois.

3. Appuyez alternativement sur le bouton d'alimentation et nettoyez le pourtour du bouton avec un coton-tige. Continuer jusqu'à ce qu'il n'y ait plus d'adhérence.

4. Utilisez un morceau de papier plus épais pour enlever les débris coincés dans la fente du bouton d'alimentation.

#### **2.4.7 Tonalité instable (TTE/P)**

Essayez un mode avec une sensibilité plus faible. (Voir 2.2.3 Réglage du mode)

#### **2.4.8 Volume instable (TTE/P)**

Essayez un mode autre qu'un mode de volume. (Voir 2.2.3 Réglage du mode)

## 2.4.9 Unité causant des interférences avec la réception radio ou TV

1. Réorientez ou déplacez l'antenne de réception.
2. Augmentez la distance entre l'équipement et le récepteur.
3. Branchez l'équipement à une prise sur un circuit différent de celui auquel le récepteur est connecté.
4. Consultez le revendeur ou un technicien radio/TV expérimenté pour obtenir de l'aide.

## 2.5 Service

### 2.5.1 Service et assistance

L'électrolarynx ne contient pas de pièces réparables autres que celles que le patient peut retirer. Les pièces détachées comprennent les piles, la tête, l'anneau de tête, l'anneau en mousse, la sonde buccale et les tubes buccaux. Contactez votre représentant local pour obtenir de l'aide sur l'utilisation ou l'entretien de votre électrolarynx et pour commander les pièces disponibles.

## 2.6 Élimination

Toujours respecter la pratique médicale et les réglementations nationales concernant les risques biologiques lorsque vous mettez un dispositif médical au rebut.

## 2.7 Signalement d'un problème

Noter que tout incident grave survenu en relation avec le dispositif doit être signalé au fabricant et à l'autorité nationale du pays dans lequel l'utilisateur/le patient réside.

# 3. Spécifications techniques

Description	Spécifications
Température de fonctionnement (pour maintenir une durée de vie optimale de la batterie)	+5 °C à +25 °C +41 °F à +77 °F
Température de stockage et de transport (pour maintenir une durée de vie optimale de la batterie)	-20 °C à +25 °C -4 °F à +77 °F
Humidité de fonctionnement (pour maintenir une durée de vie optimale de la batterie)	Humidité relative 15 % à 93 % 700 hPa à 1 060 hPa
Humidité de stockage	Humidité relative 0 % à 45 %
Durée de vie prévue	1 à 5 ans
Pièce appliquée	Partie appliquée de type BF (appareil entier)



Description	Spécifications
Mode de fonctionnement	30 minutes d'activation pendant une période de 24 heures
Source d'alimentation	Alimentation interne
Dimensions	Provox SolaTone Plus 118 mm (4,6 pouces) ; Provox TruTone Emote 113 mm (4,5 pouces) ; Provox TruTone Plus 113 mm (4,5 pouces)
Poids	Provox SolaTone Plus 130 g (0,29 livres) ; Provox TruTone Emote 130 g (0,29 livres) ; Provox TruTone Plus 131 g (0,29 livres)
Caractéristiques du chargeur	5 V, 750 mA minimum (ou 0,75 A minimum)

## 4. Conformité

L'appareil est testé et conforme à la norme IEC 60601-1-2 avec le niveau de test adopté pour l'environnement domestique.

## 1. Informazioni descrittive

### 1.1 Uso previsto

Un laringofono è una laringe artificiale alimentata a batteria che viene applicata esternamente e destinata all'uso in assenza della capacità di utilizzare la laringe per produrre suoni. Il dispositivo, posizionato al livello laringeo o sulla guancia con l'utilizzo complementare di un adattatore orale, genera vibrazioni meccaniche che risuonano nelle cavità orale e nasale e possono essere modulate dalla lingua e dalle labbra in modo normale, consentendo così la fonazione.

### 1.2 Controindicazioni

Il dispositivo deve essere utilizzato esclusivamente attenendosi alle Istruzioni per l'uso. Gli utenti che non dispongono delle capacità fisiche, cognitive o mentali necessarie per utilizzare il dispositivo da soli, non dovrebbero utilizzarlo in maniera autonoma, ma soltanto con l'adeguata supervisione di un medico o di un addetto all'assistenza formato. Il dispositivo non deve essere applicato direttamente sul tessuto fragile del collo con vasi sanguigni deboli. Ciò può causare danni tissutali o emorragie. I pazienti con questa condizione devono utilizzare il dispositivo soltanto in seguito alla ricezione di istruzioni specifiche da parte del medico in merito alle modalità di utilizzo del dispositivo e alle sedi di applicazione in sicurezza.

### 1.3 Descrizione del dispositivo

Un laringofono è una laringe artificiale alimentata a batteria che viene applicata esternamente su cute non danneggiata e destinata all'uso in assenza della laringe o della capacità di utilizzare la laringe per produrre suoni.

### 1.4 Avvertenze

- La mancata ottemperanza alle istruzioni di sicurezza potrebbe causare lesioni personali o danneggiare il dispositivo. Prima di utilizzare il dispositivo, leggere tutte le informazioni sulla sicurezza riportate di seguito.
- L'utilizzo improprio del dispositivo o il mancato rispetto delle istruzioni contenute nelle presenti Istruzioni per l'uso potrebbero provocare lesioni e/o danneggiare il dispositivo.
- Non riutilizzare il dispositivo su diversi pazienti perché potrebbe causare una contaminazione incrociata. Il dispositivo è destinato esclusivamente all'uso su un singolo paziente.
- Non accendere, utilizzare o caricare il dispositivo se è stato esposto o lasciato cadere in acqua o altri liquidi, in quanto può causare lesioni personali e/o danneggiare il dispositivo.
- Prima di caricare il dispositivo, ispezionare il caricabatterie per verificare che non sia danneggiato. Se il dispositivo o il caricabatterie appaiono danneggiati o non funzionano, non utilizzarli poiché potrebbero causare incendi, lesioni personali o danni al dispositivo.
- Utilizzare solo caricatori approvati, poiché l'uso di caricabatterie non approvati può causare incendi, lesioni personali o danni al dispositivo.
- Non tentare di caricare batterie non ricaricabili, poiché ciò potrebbe causare lesioni personali o danneggiare il dispositivo.
- Non sostituire le batterie ricaricabili con batterie non ricaricabili, poiché ciò potrebbe causare lesioni personali o danneggiare il dispositivo.
- Non danneggiare le batterie, poiché ciò potrebbe causare lesioni personali o danneggiare il dispositivo.

- Non conservare batterie in tasche, portamonete, scatole o cassetti ecc. dove potrebbero cortocircuitarsi o essere cortocircuitate da materiali conduttivi come monete o chiavi, poiché ciò potrebbe causare lesioni personali o danni al dispositivo.
- Non utilizzare batterie con perdite poiché ciò potrebbe causare lesioni personali o danneggiare il dispositivo.
- Non esporre la batteria al litio a temperature al di fuori degli intervalli di temperatura specificati sull'etichetta, in quanto potrebbe causare lesioni personali o danneggiare il dispositivo.
- Prestare attenzione quando si sostituiscono le batterie. L'installazione errata delle batterie potrebbe provocare una situazione pericolosa, come calore estremo o incendi, in quanto ciò potrebbe causare lesioni personali o danneggiare il dispositivo o altre proprietà.
- Il dispositivo contiene un magnete che, generando campi magnetici ed elettromagnetici, potrebbe interferire con pacemaker o altri dispositivi impiantabili, nonché con alcune procedure o trattamenti. Mantenere una distanza minima di circa 6"/15 cm tra il dispositivo ed eventuali dispositivi medici impiantati. Consultare il medico prima di qualsiasi intervento o trattamento medico. Se si sospetta un'interferenza tra il dispositivo ed eventuali dispositivi medici impiantati, interrompere l'uso e consultare il medico.
- Non inserire alcuna parte del dispositivo o degli accessori nello stomaco, poiché ciò potrebbe causare lesioni personali.
- Non modificare il dispositivo, poiché ciò potrebbe causare lesioni personali o danneggiare il dispositivo.
- Il dispositivo contiene piccole parti che possono essere rimosse e causare un rischio di soffocamento. Tenere lontano dalla portata dei bambini.

## 1.5 Precauzioni

- Prestare attenzione a non danneggiare il cablaggio della batteria quando si apre/si chiude il coperchio della batteria.
- La mancata ottemperanza alle istruzioni di manutenzione potrebbe causare lesioni personali e/o danneggiare il dispositivo.
- Non utilizzare né caricare mai un dispositivo rotto, modificato o alterato, poiché ciò potrebbe causare lesioni personali e/o danneggiare il dispositivo.
- Il dispositivo e le batterie possono riscaldarsi (fino a 45 °C/113 °F) durante la carica. Prima dell'uso, lasciare raffreddare il dispositivo.
- Il dispositivo può riscaldarsi durante l'uso. Adottare le precauzioni necessarie quando si posiziona sul collo per l'uso.
- Con un uso prolungato, le vibrazioni possono causare disagio ad alcuni utenti sensibili.
- Il dispositivo può funzionare in modo errato o smettere di funzionare a causa di interferenze di campi elettromagnetici causate da altri dispositivi.
- Prestare attenzione a non masticare/mordere la cannula orale poiché potrebbe causare danni ai denti.
- Prestare attenzione a non far cadere il dispositivo, in quanto potrebbe subire danni.
- Il dispositivo può causare un senso di sforzo e affaticamento nella spalla/nel braccio per gli individui con una disfunzione della spalla.

## 2. Istruzioni per l'uso

**Definizioni:** **TTE** = *Provox TruTone Emote*, **TTP** = *Provox TruTone Plus*, **TTE/P** = *entrambi i prodotti Provox TruTone*, **STP** = *Provox SolaTone Plus*

### 2.1 Contenuto

#### Contenuto della confezione

- Laringofono
- Istruzioni per l'uso
- Adattatore orale

- Confezione contenenti varie cannule orali
- Cavo micro USB
- Testina sonora Extra Sharp (TTE/P)
- 2 batterie ricaricabili AA NiMH (STP)
- Cordoncino

### Specifica della parte (Illustrazione 1)

- A. Testina sonora (x2 TTE/P) (x1 STP) (incluso pulsante audio e anello in materiale espanso)
- B. Distanziatore della testina sonora (TTE/P)
- C. Pulsante di alimentazione (pulsante Emotion™ in TTE/P)
- D. Regolatore volume
- E. Corpo
- F. Batteria
- G. Coperchio della batteria
- H. Connettore della batteria (TTE/P)
- I. Cannula orale (2 + 2)
- J. Adattatore orale
- K. Regolatore tono
- L. Spia LED
- M. Pulsante MODALITÀ (TTE/P)
- U. Coperchio antipolvere USB (TTE/P)
- V. Presa di carica USB

## 2.2 Istruzioni procedurali

### 2.2.1 Livello del volume e potenza

- Il regolatore del volume (D) completamente ruotato verso il basso è spento.
- Accendere il dispositivo e regolare il volume ruotando il regolatore del volume verso l'alto (D).

### 2.2.2 Regolazione del tono

- Regolare il tono ruotando il regolatore del tono (K).
- Tenere premuto il pulsante di alimentazione (C) mentre si apportano le regolazioni iniziali per sentire le differenze.
- Utilizzando il regolatore del tono (K) senza tenere premuto il pulsante di alimentazione (C) si cambia ancora il tono senza la possibilità di sentirlo.

### 2.2.3 Impostazione della modalità (TTE/P)

Per modificare la modalità, rimuovere innanzitutto il coperchio della batteria, quindi premere sia il pulsante della modalità (M) sia il pulsante di alimentazione (C). La modalità viene cambiata immediatamente, ma se si tiene premuto il pulsante di alimentazione, il dispositivo emetterà un segnale acustico per indicare che è stata impostata una nuova modalità. Il numero di segnali acustici e il relativo tono indicano quale modalità è attiva.

Provox TruTone Emote (TTE) dispone di sei modalità 1-6 e Provox TruTone Plus (TTP) dispone di due modalità 1-2.

**Modalità 1-4:** Quattro gamme preimpostate.

Modalità 1 – Suono quasi monotono	1 segnale acustico
Modalità 2 – Basse variazioni tonali - gamma 1/2 ottave	2 segnali acustici
Modalità 3 – Variazioni tonali medie	3 segnali acustici
Modalità 4 – Elevate variazioni tonali - gamma 2 ottave	4 segnali acustici

**Modalità 5-6 (TTE):** la modalità Volume consente di controllare il volume con il pulsante di alimentazione (C), anziché con il controllo del tono (K). Indicata per utenti che non utilizzando il controllo del tono; consente di regolare il volume senza usare il regolatore. Un tocco molto leggero permette di parlare con “voce sussurrata”, mentre una pressione decisa consente di emettere un suono a tutto volume. Il regolatore del volume limita comunque il volume massimo. Il passaggio da una modalità all'altra consente di emettere un suono con tonalità variabile (con tono crescente), piuttosto che un segnale tonale costante.

Modalità 5 - Bassa sensibilità; per un suono a tutto

volume è necessaria una pressione maggiore. 2 tonalità variabili

Modalità 6 - Alta sensibilità; per un suono a tutto

volume è necessaria una pressione inferiore. 3 tonalità variabili

## 2.2.4 Scelta della testina sonora

Se il collo presenta una cute spessa o ci si trova in un ambiente rumoroso. La testina sonora grigia può essere utilizzata per il suono più nitido (vedere 2.3.2 Sostituzione della testina sonora).

## 2.2.5 Uso del distanziatore della testina sonora (B) - (TTE/P)

Se si utilizza regolarmente un tono più alto e si preferiscono le qualità tonali senza un distanziatore per la testina sonora, è possibile rimuoverlo (vedere 2.3.3 Aggiunta/rimozione del distanziatore della testina sonora).

## 2.2.6 Caricamento della batteria

- Estrarre il coperchio antipolvere USB (U) dall'estremità superiore (TTE/P).
- Inserire il cavo micro USB nella presa di carica USB (V) con una spina approvata per la ricarica a parete.
- Controllare che la spia LED (L) sia accesa.
- Scollegare l'unità al termine della carica per risparmiare energia. Quando il volume inizia a diminuire significa che la batteria è scarica all'80%.

### Spia LED (L)

- Batteria scarica (TTE/P): la spia si accende quando si preme il pulsante di alimentazione segnalando che la batteria dovrà essere ricaricata a breve.
- Ricarica: luce fissa
- Carica completa: luce lampeggiante

## 2.2.7 Posizionamento del laringofono sul collo

- Posizionare la testina sonora (A) sul collo e attivare il pulsante di alimentazione (C). Non inserire alcuna parte del dispositivo o degli accessori nello stoma.
- Parlare quando il suono è introdotto nella bocca. Non forzare l'uscita dell'aria.
- Assicurarsi che la testina sonora sia completamente a contatto con il collo.
- Provare posizioni diverse fino ad ottenere il suono migliore. Anche un cambio di posizione di 3 mm/1/8" può avere un grande impatto sul volume del suono.
- Se non si riesce a ottenere la trasmissione del suono attraverso il collo o non si è in grado di posizionare il dispositivo contro il collo per ragioni mediche, provare il posizionamento sulla guancia o utilizzare l'adattatore orale (vedere Installazione/utilizzo dell'adattatore/della cannula orale 2.3.4).
- Regolare il tono base verso l'alto o il basso per ottenere una voce migliore.
- I toni della gamma media vengono più facilmente percepiti dalla maggior parte delle persone.

## 2.2.8 Adattatore orale opzionale e cannule orali

Se il posizionamento sul collo non è soddisfacente a causa di un collo con cute lassa o ronzio eccessivo, è possibile utilizzare l'adattatore orale (Installazione/utilizzo dell'adattatore/della cannula orale 2.3.4).

## 2.2.9 Linee guida per uso dimostrativo

### **Avvertenza!**

L'adattatore orale, la cannula orale e la testina sonora possono essere utilizzati solo su un singolo paziente e non devono essere riutilizzati su diversi pazienti.

### **Attenzione!**

Eseguire la manutenzione del dispositivo dopo ogni utilizzo da parte del paziente e della dimostrazione secondo le istruzioni di manutenzione.

- L'uso dimostrativo ha lo scopo di determinare l'idoneità del paziente al dispositivo.
- Gli utenti devono pulire e disinfettare le mani con alcol isopropilico o altro disinfettante idoneo oppure devono utilizzare dei guanti.
- La testina sonora (A) (inclusi il pulsante audio e l'anello in materiale espanso) deve essere sostituita e gettata tra un paziente e l'altro (2.3.2 Sostituzione della testina sonora).
- Il dispositivo deve essere pulito prima e dopo ogni paziente in base al punto 2.3.1 Manutenzione del dispositivo.

## 2.3 Manutenzione e sostituzione delle parti

### 2.3.1 Manutenzione del dispositivo

- Le azioni di manutenzione sono responsabilità dell'utente. La manutenzione deve essere eseguita dopo ogni utilizzo.
- Pulire il dispositivo con un panno pulito e asciutto o, se necessario, con un panno leggermente inumidito (non bagnato). Utilizzare acqua con sapone delicato o alcol isopropilico al 50-75%.
- Prestare attenzione a non far penetrare umidità all'interno del dispositivo.
- Non utilizzare detergenti elettrici o spray.

### 2.3.2 Sostituzione della testina sonora (Illustrazione 5)

Per la sostituzione delle testine sonore, contattare il rappresentante locale.

1. Pulire il dispositivo in base al punto 2.3.1. Manutenzione. Applicare una leggera pressione e strofinare il pulsante di alimentazione con un movimento circolare o rotatorio. Dopo aver pulito il corpo, passare al tappo della testina sonora, facendo attenzione a non esercitare una pressione eccessiva che potrebbe causare lo spostamento del pulsante audio superiore.
2. Rimuovere la testina sonora, svitandola.
3. Assicurarsi che il distanziatore della testina sonora (B) sia ancora installato. Sostituirla se è rotta o mancante prima di installare la nuova testina sonora (A) (TTE/P) (vedere 2.3.3 Aggiunta/rimozione del distanziatore della testina sonora).
4. Installare una nuova testina sonora (A).

**Precauzione:** non rimuovere il diaframma in silicone presente sotto la testina sonora. Il diaframma in silicone deve rimanere nella scanalatura dello stelo della bobina/attuatore. **(Illustrazione 3)**

**Precauzione:** non ruotare la bobina/l'attuatore. I cavi andrebbero avvolti delicatamente attorno alla bobina/all'attuatore. **(Illustrazione 3)**

### 2.3.3 Aggiunta/rimozione del distanziatore della testina sonora (Illustrazione 2)

1. Svitare la testina sonora.
2. Aggiungere/rimuovere il distanziatore.
3. Riavvitare la testina sonora.
4. Provare il dispositivo, verificandone le qualità tonali. Se si preferiscono qualità tonali senza distanziatore, assicurarsi di conservare il distanziatore in un luogo sicuro, come la scatola in dotazione con il dispositivo.

## 2.3.4 Installazione/utilizzo dell'adattatore/della cannula orale (Illustrazione 3)

1. Inserire la cannula orale (I) nella parte superiore dell'adattatore orale (J).

**Precauzione:** non inserire oltre l'arresto. Assicurarsi che la cannula non sporga nella zona del tappo.

2. Collocare l'adattatore orale sopra la testina sonora (A).

**Precauzione:** non ruotarlo sopra.

3. Posizionare la cannula orale nell'angolo della bocca.

4. Attivare il laringofono. Parlare attorno alla cannula orale.

## 2.3.5 Sostituzione della batteria

### STP

Due pile AA ricaricabili da 1,5 V in Nickel Metal Hydride (NiMH).

• Installare la batteria (F) seguendo le frecce poste all'interno dell'STP (Illustrazione 1).

### TTE/P:

Utilizzare solo batterie agli ioni di litio approvate. Per maggiori informazioni, contattare i distributori.

• Installare la batteria (F) come mostrato (Illustrazione 1); è possibile un'unica modalità di inserimento. La linguetta di allineamento del connettore della batteria (H) va rivolta verso l'alto e il filo rosso verso destra. (**Illustrazione 1**)

## 2.4 Guida alla risoluzione dei problemi

### 2.4.1 Comprensione non soddisfacente durante l'uso del telefono

1. Posizionare il microfono del telefono vicino al naso, non sotto la bocca. In questo modo si allontana il microfono dal suono dello stoma e del laringofono.

2. Ridurre il volume del laringofono in modo che il livello del volume sia il più silenzioso possibile, pur continuando a generare un tono.

### 2.4.2 Unità "non funzionante", "rotta" o "ha smesso di funzionare"

1. Assicurarsi che il regolatore del volume (D) non sia completamente ruotato verso il basso per spegnere il dispositivo.

2. Ruotare completamente il regolatore del volume (D) per spegnerlo.

3. Premere leggermente il pulsante di alimentazione (C) e aumentare la pressione. Se il dispositivo si attiva e si disattiva durante il processo, deve essere restituito per la sostituzione (vedere 2.5.1 Servizio e assistenza).

4. Se il LED si accende ogni volta che il pulsante di alimentazione (C) è premuto, il dispositivo ha la batteria scarica e deve essere caricato. (TTE/P)

5. Inserire un cavo micro USB di buona qualità, che sia alimentato, nel dispositivo. Se il dispositivo si accende e il LED lampeggia, la batteria del dispositivo è scollegata. Rimuovere il coperchio della batteria e premere il connettore del cavo della batteria (plastica nera dove passano i fili neri e rossi) più a fondo nell'alloggiamento.

### 2.4.3 La spia della carica (L) non si accende durante la carica

1. Provare la presa di corrente con una lampada.

2. Assicurarsi che il cavo micro USB sia completamente inserito nell'alimentatore e nel dispositivo.

3. Provare un altro cavo micro USB.
4. Provare un altro alimentatore (presa di corrente USB).
5. Provare il caricatore e il cavo su un telefono cellulare o un altro dispositivo.

#### **STP**

6. Assicurarsi che la batteria (o le batterie) siano ricaricabili. Il dispositivo non carica batterie non ricaricabili.
7. Assicurarsi che le batterie siano inserite correttamente. Controllare che le batterie siano orientate correttamente con il + della batteria verso il + del dispositivo.

#### **TTE/P:**

8. Inserire un cavo micro USB di buona qualità e alimentato nel dispositivo e attivare il pulsante di alimentazione (C); se il dispositivo si accende e la luce LED lampeggia, la batteria del dispositivo è scollegata. Rimuovere il coperchio della batteria (G) e premere ulteriormente il connettore della batteria (H) nell'alloggiamento.

### **2.4.4 L'unità "ha troppo ronzio", "suona in modo strano", "è ovattata" o "non è chiara"**

1. Assicurarsi che la testina sonora (A) sia in pieno contatto con la cute del collo.
2. Provare una posizione diversa sul collo (vedere 2.2.7 Posizionamento del laringofono sul collo).
3. Ridurre il volume (D).
4. Regolare il tono (K).
5. Utilizzare l'adattatore orale (vedere Installazione/utilizzo dell'adattatore orale e della cannula orale 2.3.4).
6. Ispezionare il coperchio. Se il pulsante audio sembra allentato o si è spostato leggermente o l'anello in materiale espanso sembra danneggiato, il dispositivo potrebbe aver bisogno di un nuovo anello in materiale espanso.
7. Rimuovere la testina sonora (A) e osservare l'interno.
  - È presente un piccolo pezzo di gomma incollato al centro della testina sonora (A)? In caso contrario, l'unità necessita di un pulsante audio di sostituzione (vedere 2.5.1 Servizio e assistenza).
  - Assicurarsi che il diaframma sia attaccato al perno della bobina. Assicurarsi che la bobina rimbalzi liberamente quando viene toccata e che non sembri ruvida (Illustrazione 4).

#### **TTE/P:**

1. Provare la testina sonora Extra Sharp opzionale (2.3.2 Sostituzione della testina sonora) (Illustrazione 5).

### **2.4.5 "La testina sonora (A) si è staccata" o il pulsante audio è stato spinto fuori dal tappo**

1. Controllare se l'anello in materiale espanso è danneggiato.
2. Se non è danneggiato, l'anello in materiale espanso originale può essere riutilizzato e riassembleato.
3. Se è danneggiato, deve essere sostituito.

#### **TTE/P:**

La sensibilità del sensore del pulsante potrebbe essere eccessiva. Provare una MODALITÀ differente, generalmente più bassa.

### **2.4.6 Pulsante "appiccicoso"**

1. Leggere i consigli generali di pulizia (2.3.1 Manutenzione del dispositivo)
2. Utilizzare un cotton fioc o un bastoncino di cotone con una piccola quantità di alcol raccomandato (2.3.1 Manutenzione del dispositivo) per pulire intorno al pulsante di alimentazione 5-6 volte, quindi premere il pulsante di alimentazione 5-6 volte.



3. Premere alternativamente il pulsante di alimentazione e pulire intorno al pulsante con un cotton fioc o un bastoncino di cotone. Proseguire fino alla risoluzione del problema.

4. Utilizzare un pezzo di carta più spesso per rimuovere i detriti bloccati nella fessura del pulsante di alimentazione.

### 2.4.7 Tono instabile (TTE/P)

Provare una modalità con sensibilità inferiore (vedere 2.2.3 Impostazione della modalità).

### 2.4.8 Volume instabile (TTE/P)

Provare una modalità diversa da quella del volume. (vedere 2.2.3 Impostazione della modalità).

### 2.4.9 Unità che causa interferenze alla ricezione radio o televisiva

1. Riorientare o riposizionare l'antenna ricevente.
2. Aumentare la distanza tra l'apparecchiatura e il ricevitore.
3. Collegare l'apparecchiatura a una presa su un circuito diverso da quello a cui è collegato il ricevitore.
4. Consultare il rivenditore o un tecnico radiotelevisivo esperto per assistenza.

## 2.5 Servizio

### 2.5.1 Servizio e assistenza

Il laringofono non contiene parti riparabili diverse da quelle rimovibili dal paziente. Le parti di ricambio includono batterie, testina sonora, distanziatore della testina sonora, anello in materiale espanso, adattatore orale e cannule orali. Per ricevere assistenza per l'uso o la manutenzione del dispositivo e per ordinare le parti disponibili contattare il rappresentante locale.

## 2.6 Smaltimento

Attenersi sempre alle pratiche mediche e alle normative nazionali sui materiali biopercorosi per lo smaltimento di un dispositivo medico usato.

## 2.7 Segnalazioni

Si prega di notare che qualsiasi incidente grave verificatosi in relazione al dispositivo deve essere segnalato al fabbricante e all'autorità nazionale del Paese in cui risiede l'utilizzatore e/o il paziente.

# 3. Specifiche tecniche

Descrizione	Specifiche
Temperatura di funzionamento (per mantenere la durata ottimale della batteria)	Da +5 °C a +25 °C Da +41 °F a +77 °F
Temperatura di stoccaggio e di trasporto (per mantenere la durata ottimale della batteria)	Da -20 °C a +25 °C Da -4 °F a +77 °F
Umidità di funzionamento (per mantenere la durata ottimale della batteria)	Umidità relativa dal 15% al 93% Da 700 hPa a 1.060 hPa

<b>Descrizione</b>	<b>Specifiche</b>
Umidità di conservazione	Umidità relativa dallo 0% al 45%
Durata prevista	1-5 anni
Parte applicata	Parte applicata tipo BF (intero dispositivo)
Modalità di funzionamento	30 minuti di attivazione per un periodo di 24 ore
Fonte di alimentazione	Alimentazione interna
Dimensioni	Provox SolaTone Plus 118 mm (4,6 pollici); Provox TruTone Emote 113 mm (4,5 pollici); Provox TruTone Plus 113 mm (4,5 pollici)
Peso	Provox SolaTone Plus 130 g (0,29 libbre); Provox TruTone Emote 130 g (0,29 libbre); Provox TruTone Plus 131 g (0,29 libbre)
Specifiche del caricabatterie	5 V, minimo 750 mA (o minimo 0,75 A)

## 4. Compliance

Il dispositivo è testato e conforme alla norma IEC 60601-1-2 con livello di test adottato per l'ambiente domestico.

## 1. Información descriptiva

### 1.1 Uso previsto

Una electrolaringe es una laringe artificial alimentada por baterías que se aplica externamente y está destinada a utilizarse en ausencia de la capacidad para utilizar la laringe para producir sonidos. Cuando se mantiene contra la piel en la zona de la laringe o mediante la inserción de un tubo en la cavidad oral (con un adaptador oral), el dispositivo genera vibraciones mecánicas que resuenan en las cavidades oral y nasal, y que pueden ser moduladas por la lengua y los labios de la forma habitual, permitiendo así la producción del habla.

### 1.2 Contraindicaciones

El dispositivo solo debe utilizarse según las instrucciones de uso. Los usuarios que no tengan la capacidad física, cognitiva o mental necesaria para manejar el dispositivo por sí mismos, no deben utilizarlo por su cuenta y solo deben hacerlo si están bajo la supervisión adecuada de un médico o cuidador capacitado. El dispositivo no debe aplicarse directamente sobre tejidos frágiles del cuello con vasos sanguíneos débiles. Esto podría provocar lesiones en los tejidos o hemorragias. Los pacientes con esta condición solo deben utilizar el dispositivo cuando hayan sido formados específicamente por su médico sobre cómo utilizarlo y dónde aplicarlo.

### 1.3 Descripción del dispositivo

Una electrolaringe es una laringe artificial alimentada por baterías que se aplica externamente en la piel que no presenta lesiones y está destinada a utilizarse en ausencia de la laringe o en caso de incapacidad para utilizar la laringe para producir sonidos.

### 1.4 Advertencias

- El incumplimiento de las instrucciones de seguridad puede provocar lesiones personales o dañar el dispositivo. Lea toda la información de seguridad que aparece a continuación antes de utilizar el dispositivo.
- El uso incorrecto del dispositivo o no cumplir con las instrucciones que se detallan en estas Instrucciones de uso puede causar lesiones personales y/o dañar el dispositivo.
- No utilice el dispositivo en varias personas a la vez al mismo tiempo, ya que podría ocurrir contaminación cruzada. Este dispositivo se ha diseñado para utilizarse en un solo paciente.
- No encienda, utilice ni cargue el dispositivo si se ha expuesto o se ha caído al agua u otros líquidos, ya que puede causar lesiones personales y/o dañar el dispositivo.
- Antes de cargar el dispositivo, inspeccione el cargador para ver si está dañado. No se debe seguir utilizando un cargador dañado o que no funcione, ya que puede provocar un incendio, lesiones personales o daños en el dispositivo.
- Utilice únicamente cargadores aprobados, ya que el uso de cargadores no aprobados puede provocar un incendio, lesiones personales o daños en el dispositivo.
- No intente cargar pilas no recargables, ya que puede provocar lesiones personales o daños en el dispositivo.
- No sustituya las pilas recargables por pilas no recargables, ya que puede provocar lesiones personales o daños en el dispositivo.
- No dañe físicamente las pilas, ya que puede provocar lesiones personales o daños en el dispositivo.

- No guarde las pilas en un bolsillo, bolso, caja o cajón, etc., en el que puedan cortocircuitarse entre sí o ser cortocircuitadas por materiales conductores como monedas o llaves, ya que puede provocar lesiones personales o daños en el dispositivo.
- No utilice pilas que presenten fugas ya que puede provocar lesiones personales o daños en el dispositivo.
- No exponga las pilas de litio a temperaturas fuera de los intervalos de temperatura que se especifican en la etiqueta, ya que puede provocar lesiones personales o daños en el dispositivo.
- Tenga cuidado al sustituir las pilas. Si se instalan las pilas de forma incorrecta, puede provocar una situación de peligro, como calor extremo o un incendio, y esto podría causar lesiones personales o daños en el dispositivo y otra propiedad.
- El dispositivo contiene un imán que genera campos magnéticos y electromagnéticos que pueden interferir con marcapasos u otros dispositivos implantables, así como con determinados procedimientos o tratamientos. Mantenga una distancia mínima de 6"/15 cm entre el dispositivo y cualquier dispositivo médico implantado. Consulte con su médico antes de cualquier procedimiento o tratamiento médico. Si se sospecha que hay interferencias entre el dispositivo y cualquier dispositivo médico implantado, interrumpa el uso y consulte con su médico.
- No introduzca ninguna parte del dispositivo o los accesorios en el estoma, ya que puede provocar lesiones personales.
- No modifique el dispositivo, ya que puede provocar lesiones personales o daños en el dispositivo.
- Los dispositivos contienen piezas pequeñas que pueden desprenderse y presentar un riesgo de asfixia. Manténgase alejado de los niños pequeños.

## 1.5 Precauciones

- Tenga cuidado de no dañar el cableado de las pilas al abrir/cerrar la tapa de las pilas.
- El incumplimiento de las instrucciones de mantenimiento puede provocar lesiones personales o daños en el dispositivo.
- No utilice nunca un dispositivo roto, modificado o que se haya alterado; ni cargue un dispositivo roto, modificado o que se haya alterado, ya que podría provocar lesiones personales y/o daños en el dispositivo.
- Los dispositivos y las pilas pueden calentarse (hasta 45 °C/113 °F) durante la carga. Deje que el dispositivo se enfríe antes de utilizarlo.
- El dispositivo puede calentarse durante su uso. Tome las precauciones necesarias cuando lo coloque en el cuello para utilizarlo.
- Con el uso prolongado, las vibraciones pueden causar molestias a algunos usuarios sensibles.
- El dispositivo puede funcionar mal o dejar de funcionar debido a las interferencias de los campos electromagnéticos de otros dispositivos.
- Tenga cuidado de no masticar/morder el tubo oral, ya que podría causar lesiones dentales.
- Tenga cuidado de no dejar caer el dispositivo, ya que puede causar daños en el dispositivo.
- El dispositivo puede causar una sensación de esfuerzo y cansancio en el hombro/brazo en las personas que presenten una disfunción en el hombro.

## 2. Instrucciones de uso

**Definiciones:** **TTE** = *Provox TruTone Emote*, **TTP** = *Provox TruTone Plus*, **TTE/P** = *ambos productos Provox TruTone*, **STP** = *Provox SolaTone Plus*

### 2.1 Contenido

#### Contenido de la caja

- Electrolaringe
- Instrucciones de uso
- Adaptador oral
- Paquete surtido de tubos orales
- Cable micro-USB
- Cabezal de sonido para sonidos muy agudos (TTE/P)
- 2 pilas recargables AA NiMH (STP)
- Cordón de seguridad

#### Especificación de las piezas (Ilustración 1)

A: cabezal de sonido (x2 TTE/P) (x1 STP) (incluye botón de sonido y anillo de espuma)

B: espaciador del cabezal de sonido (TTE/P)

C: botón de encendido (botón Emotion™ en TTE/P)

D: mando de volumen

E: cuerpo

F: pila

G: tapa de las pilas

H: conector de las pilas (TTE/P)

I: tubo oral (2 + 2)

J: adaptador oral

K: mando de ajuste de tono

L: luz indicadora LED

M: botón de MODO (TTE/P)

U: cubierta antipolvo de USB (TTE/P)

V: conector de carga USB

### 2.2 Instrucciones de funcionamiento

#### 2.2.1 Nivel de volumen y encendido

- Con el mando de volumen (D) completamente abajo, el dispositivo está apagado.
- Encienda el dispositivo y ajuste el volumen girando el mando de volumen hacia arriba (D).

#### 2.2.2 Ajuste del tono

- Ajuste el tono girando el mando de ajuste de tono (K).
- Mantenga pulsado el botón de encendido (C) mientras realiza el ajuste inicial para escuchar las diferencias.
- Si se utiliza el mando de tono (K) sin mantener pulsado el botón de encendido (C), se sigue cambiando el tono pero no se escucha.

#### 2.2.3 Configuración del modo (TTE/P)

Para cambiar el modo, primero retire la tapa de las pilas y, a continuación, pulse a la vez el botón de modo (M) y el botón de encendido (C). El modo cambia inmediatamente, pero si sigue manteniendo presionado el botón de encendido, el dispositivo emitirá un pitido para indicar el nuevo ajuste de modo. El número de pitidos y el tono de los pitidos indican en qué modo se encuentra.

Provox TruTone Emote (TTE) tiene seis modos 1-6 y Provox TruTone Plus (TTP) tiene dos modos 1-2.

**Modos 1 a 4:** Cuatro rangos preestablecidos.

Modo 1: casi monotono	1 pitido
Modo 2: variaciones tonales bajas Rango de 1/2 octava	2 pitidos
Modo 3: variaciones tonales medias	3 pitidos
Modo 4: variaciones tonales altas Rango de 2 octavas	4 pitidos

**Modos 5-6 (TTE):** El modo de volumen permite controlar el volumen con el botón de encendido (C), en lugar del tono (K). Esto es para personas que no usan el control de tono y permite controlar el volumen sin mover el mando. Un toque muy ligero permite hablar con "voz susurrante", mientras que si presiona firmemente, emite sonido a todo volumen. El mando de control del volumen sigue limitando el volumen máximo. Cambiar a estos modos crea un sonido "estridente" (con un tono creciente), en lugar de un tono constante.

Modo 5: baja sensibilidad. El volumen completo requiere más presión. 2 sonidos "estridentes"

Modo 6: alta sensibilidad. El volumen completo requiere menos presión. 3 sonidos "estridentes"

## 2.2.4 Elección del cabezal de sonido

En caso de tener el tejido del cuello duro o de encontrarse en un ambiente ruidoso, se puede utilizar el cabezal de sonido gris dado que proporciona un sonido más agudo. (Consulte 2.3.2 Sustitución del cabezal de sonido.)

## 2.2.5 Uso del espaciador del cabezal de sonido (B) (TTE/P)

Si normalmente utiliza un tono más alto y prefiere las cualidades tonales sin el espaciador del cabezal de sonido, puede quitarlo. (Consulte 2.3.3 Acoplar/quitar el espaciador del cabezal de sonido.)

## 2.2.6 Carga de las pilas

- Tire de la cubierta antipolvo de USB (U) hacia fuera en el extremo superior. (TTE/P)
- Inserte el micro-USB en el conector de carga USB (V) con un enchufe aprobado para la carga en la toma de pared.
- Compruebe que la luz indicadora LED (L) está encendida.
- Desenchufe la unidad cuando la carga esté completa para ahorrar energía. Úsela hasta que el volumen comience a desvanecerse, lo que ocurrirá cuando se haya agotado el 80 % de la carga.

## Luz indicadora LED (L)

- Batería baja (TTE/P): la luz se enciende al pulsar el botón de encendido indicando que se acerca el momento de la carga.
- Carga: luz fija
- Carga completa: luz intermitente

## 2.2.7 Colocación de la electrolaringe en el cuello

- Coloque el cabezal de sonido (A) contra el cuello y active el botón de encendido (C). No introduzca ninguna parte de la dispositivo ni los accesorios en el estoma.
- Hable conforme el sonido llegue a la boca. No fuerce la salida de aire.
- Asegúrese de mantener un sello hermético entre el cabezal de sonido y el cuello.
- Pruebe diferentes posiciones hasta obtener el mejor sonido. Tenga en cuenta que incluso un cambio de posición de 3 mm / 1/8" puede tener un gran impacto en el volumen del sonido.
- Si no puede lograr la transmisión del sonido a través del cuello o no puede colocar el dispositivo contra el cuello por razones médicas, pruebe a colocarlo en la mejilla o utilice el adaptador oral (consulte la instalación/utilización del adaptador/tubo oral opcional 2.3.4).

- Ajustar el tono base hacia arriba o hacia abajo puede mejorar la voz.
- Los tonos medios son más fáciles de oír para la mayoría de las personas.

## 2.2.8 Adaptador oral y tubos orales opcionales

Si la colocación en el cuello no le conviene debido a que tiene el cuello sensible o a un exceso de zumbidos, puede utilizar el adaptador oral. (Instalación/utilización del adaptador/tubo oral 2.3.4)

## 2.2.9 Directrices para el uso de demostración

### ¡Advertencia!

El adaptador oral, el tubo oral y el cabezal de sonido son de uso exclusivo para un solo paciente, y no deben reutilizarse entre pacientes.

### ¡Precaución!

Realice el mantenimiento del dispositivo después de cada paciente y uso de demostración de acuerdo con las instrucciones de mantenimiento.

- El uso de demostración está pensado para determinar la idoneidad del paciente para el dispositivo.
- Los usuarios deben limpiarse las manos y desinfectárselas con alcohol isopropílico (IPA) u otro desinfectante adecuado, o utilizar guantes.
- El cabezal de sonido (A) (incluyendo el botón de sonido y el anillo de espuma) deberá sustituirse y desecharse entre cada paciente (2.3.2 Sustitución del cabezal de sonido).
- El dispositivo se limpiará antes y después de cada paciente de acuerdo con las indicaciones del apartado 2.3.1 Mantenimiento del dispositivo.

## 2.3 Mantenimiento y cambio de piezas

### 2.3.1 Mantenimiento del dispositivo

- Las tareas de mantenimiento son responsabilidad del usuario. El mantenimiento debe realizarse después de cada uso.
- Limpie el dispositivo con un paño limpio y seco o, si es necesario, con un paño ligeramente humedecido (no mojado). Utilice agua con jabón suave o alcohol isopropílico al 50-75 %.
- Tenga cuidado de que no entre humedad dentro del dispositivo.
- No utilice limpiadores eléctricos ni pulverizadores.

### 2.3.2 Sustitución del cabezal de sonido (Ilustración 5)

Póngase en contacto con su representante local para obtener cabezales de sonido de repuesto.

1. Limpie el dispositivo de acuerdo con las indicaciones del apartado 2.3.1. Mantenimiento. Asegúrese de aplicar una ligera presión y limpie el botón de encendido con un movimiento circular o de giro. Después de limpiar el cuerpo, limpie la tapa del cabezal de sonido, teniendo cuidado de no aplicar una presión excesiva que podría hacer que el botón de sonido superior se desprendiera.
2. Retire el cabezal de sonido desatornillándolo.
3. Asegúrese de que el espaciador del cabezal de sonido (B) sigue instalado. Sustitúyalo si está roto o falta antes de instalar el nuevo cabezal de sonido (A) (TTE/P). (Consulte 2.3.3 Acoplar/quitar el espaciador del cabezal de sonido.)
4. Instale un cabezal de sonido nuevo (A).

**Precaución:** No quite el diafragma de silicona que se encuentra debajo del cabezal de sonido. El diafragma de silicona debe quedar en la ranura del vástago de la bobina/actuador. (Ilustración 3)

**Precaución:** No tuerza la bobina/actuador. Los cables deben enrollarse suavemente alrededor de la bobina/actuador. (Ilustración 3)

### 2.3.3 Acoplar/quitar el espaciador del cabezal de sonido (Ilustración 2)

1. Desenrosque el cabezal de sonido.
2. Acople/quite el espaciador.
3. Vuelva a atornillar el cabezal de sonido.
4. Pruebe el dispositivo escuchando las cualidades tonales. Si prefiere las cualidades tonales sin el espaciador, asegúrese de guardarlo en un lugar seguro, como la caja en la que recibió el dispositivo.

### 2.3.4 Instalación/utilización del adaptador/tubo oral (Ilustración 3)

1. Inserte el tubo oral (I) en la parte superior del adaptador oral (J).

**Precaución:** No introduzca el tubo oral más allá del tope. Asegúrese de que el tubo no sobresale en el área de la tapa.

2. Coloque el adaptador oral sobre el cabezal de sonido (A).

**Precaución:** No lo enrosque.

3. Coloque el tubo oral en la comisura de la boca.
4. Active la electrolaringe. Hable alrededor del tubo oral.

### 2.3.5 Cambio de las pilas

#### STP

Dos pilas AA recargables de níquel-hidruro metálico (NiMH) de 1,5 V.

- Instale la pila (F) siguiendo las flechas situadas en el interior del STP (Ilustración 1).

#### TTE/P:

Utilice solo baterías de iones de litio aprobadas. Póngase en contacto con los distribuidores para obtener más información.

- Instale la pila (F) como se muestra (Ilustración 1); solo encaja de una manera. La pestaña de alineación del conector de la batería (H) apunta hacia arriba, con el cable rojo a la derecha. (Ilustración 1)

## 2.4 Guía de resolución de problemas

### 2.4.1 Inteligibilidad no satisfactoria mientras se utiliza el teléfono

1. Sitúe el micrófono del teléfono al lado de la nariz, no debajo de la boca. De esta forma, el micrófono quedará más alejado del sonido del estoma y la electrolaringe.
2. Reduzca el volumen de la electrolaringe de modo que el nivel de volumen sea lo más bajo posible pero sin que deje de generar tono.

### 2.4.2 Unidad "muerta", "rota" o "que ha dejado de funcionar"

1. Asegúrese de que el mando de volumen (D) no está girado completamente hacia abajo, lo que significaría que el dispositivo está apagado.
2. Gire el mando de volumen (D) completamente abajo para apagar el dispositivo.
3. Pulse ligeramente el botón de encendido (C) y aumente la presión. Si el dispositivo se activa y desactiva en el proceso, se debe enviar el dispositivo para su sustitución. (Consulte 2.5.1 Servicio y asistencia.)
4. Si a luz indicadora LED se enciende cada vez que se pulsa el botón de encendido (C), el dispositivo tiene poca batería y se debe cargar. (TTE/P)
5. Enchufe el dispositivo a un cable micro-USB que sepa que funciona bien y que esté conectado a la alimentación. Si el dispositivo se enciende y la luz indicadora LED parpadea, la pila del dispositivo está desconectada. Retire la tapa de las pilas y presione el conector del cable de las pilas (plástico negro donde van los cables negro y rojo) hacia adentro de la carcasa.



### 2.4.3 La luz de carga (L) no se enciende durante la carga

1. Compruebe que la toma de corriente funciona bien enchufando una lámpara.
2. Asegúrese de que el cable micro-USB esté debidamente conectado a la fuente de alimentación y al dispositivo.
3. Pruebe con otro cable micro-USB.
4. Pruebe con otra fuente de alimentación (toma de corriente USB).
5. Compruebe el cargador y el cable en un teléfono móvil u otro dispositivo.

#### **STP**

6. Asegúrese de que la pila (o las pilas) es recargable.  
El dispositivo no cargará pilas que no sean recargables.

7. Asegúrese de que las pilas se han colocado correctamente. Compruebe que las pilas tienen la orientación adecuada, con el signo + de la pila hacia el signo + del dispositivo.

#### **TTE/P:**

8. Enchufe un cable micro-USB que sepa que funciona correctamente y que esté conectado a la alimentación en el dispositivo y active el botón de encendido (C); si el dispositivo se enciende y la luz indicadora LED parpadea, entonces la batería del dispositivo está desconectada. Retire la tapa de las pilas (G) y presione el conector de las pilas (H) hacia dentro de la carcasa.

### 2.4.4 La unidad "tiene demasiado zumbido", "suena raro", "suena amortiguada" o "no es clara"

1. Asegúrese de que el cabezal de sonido (A) tiene pleno contacto con la piel del cuello.
2. Pruebe en otro lugar del cuello. (Consulte 2.2.7 Colocación de la electrolaringe en el cuello.)
3. Reduzca el volumen (D).
4. Ajuste el tono (K).
5. Utilice el adaptador oral (consulte Instalación/utilización del adaptador oral y del tubo oral en el apartado 2.3.4).
6. Inspeccione la tapa. Si el botón de sonido parece flojo o se ha movido ligeramente, o si el anillo de espuma parece dañado, es posible que se necesite cambiar el anillo de espuma del dispositivo.
7. Retire el cabezal de sonido (A) e inspeccione el interior.
  - ¿Hay una pequeña pieza de goma pegada en el centro del cabezal de sonido (A)? Si no es así, es necesario sustituir el botón de sonido de la unidad. (Consulte 2.5.1 Servicio y asistencia.)
  - Asegúrese de que el diafragma está conectado al vástago de la bobina. Asegúrese de que la bobina vuelve a su posición tras presionarla y no siente que se atasca (Ilustración 4).

#### **TTE/P:**

1. Pruebe el cabezal de sonido para sonidos muy agudos opcional (2.3.2 Sustitución del cabezal de sonido) (Ilustración 5).

### 2.4.5 "El cabezal de sonido (A) se ha desprendido" o el botón de sonido se ha salido de la tapa

1. Compruebe si el anillo de espuma está dañado.
2. Si no está dañado, se puede reutilizar el anillo de espuma original y volver a montarlo.
3. Si está dañado, hay que cambiarlo.

#### **TTE/P:**

La sensibilidad del botón/sensor puede que sea demasiado alta. Pruebe con otro MODO; normalmente, debe ser un modo más bajo.

## **2.4.6 El botón se queda "pegado"**

1. Lea los consejos generales de limpieza (2.3.1 Mantenimiento del dispositivo).
2. Utilice un bastoncillo o un hisopo de algodón con una pequeña cantidad del alcohol recomendado (2.3.1 Mantenimiento del dispositivo) para limpiar alrededor del botón de encendido 5-6 veces y, a continuación, pulse el botón de encendido 5-6 veces.
3. Alterne la pulsación del botón de encendido y la limpieza alrededor del botón con el bastoncillo o hisopo de algodón. Siga hasta que ya no se pegue.
4. Utilice un trozo de papel grueso para eliminar los restos atascados en la hendidura del botón de encendido.

## **2.4.7 Tono inestable (TTE/P)**

Pruebe un modo con menor sensibilidad. (Consulte 2.2.3 Configuración del modo.)

## **2.4.8 Volumen inestable (TTE/P)**

Pruebe un modo que no sea de volumen. (Consulte 2.2.3 Configuración del modo.)

## **2.4.9 La unidad causa interferencias en la recepción de radio o televisión**

1. Reoriente o reubique la antena receptora.
2. Aumente la separación entre el equipo y el receptor.
3. Conecte el equipo a una toma de corriente de un circuito diferente al que está conectado el receptor.
4. Consulte al distribuidor o a un técnico de radio/televisión con experiencia para obtener ayuda.

## **2.5 Servicio**

### **2.5.1 Servicio y asistencia**

La electrolaringe no contiene ninguna pieza reparable que no sean las que puede retirar el paciente. Las piezas de repuesto incluyen las baterías, el cabezal de sonido, el espaciador del cabezal de sonido, el anillo de espuma, el adaptador oral y los tubos orales. Póngase en contacto con su representante local para que le ayude con la utilización o el mantenimiento de la electrolaringe, o para efectuar el pedido de las piezas disponibles.

## **2.6 Eliminación**

Al desechar un dispositivo médico usado, siga siempre la práctica médica y los requisitos nacionales sobre peligros biológicos.

## **2.7 Presentación de informes**

Tenga en cuenta que cualquier incidente grave que se haya producido en relación con el dispositivo deberá comunicarse al fabricante y a la autoridad nacional del país en el que resida el usuario y/o el paciente.

### 3. Especificaciones técnicas

Descripción	Especificación
Temperatura de funcionamiento (para mantener una duración óptima de la batería)	+5 °C a +25 °C +41 °F a +77 °F
Temperatura de almacenamiento y transporte (para mantener una duración óptima de la batería)	-20 °C a +25 °C -4 °F a +77 °F
Humedad de funcionamiento (para mantener una duración óptima de la batería)	15 % a 93 % de humedad relativa, 700 hPa a 1060 hPa
Humedad de almacenamiento	0 % a 45 % de humedad relativa
Vida útil prevista	1-5 años
Pieza aplicada	Pieza aplicada tipo BF (dispositivo entero)
Modo de funcionamiento	30 minutos de activación durante un periodo de 24 horas
Fuente de energía	Alimentación interna
Dimensiones	Provox SolaTone Plus 118 mm (4,6 pulgadas); Provox TruTone Emote 113 mm (4,5 pulgadas); Provox TruTone Plus 113 mm (4,5 pulgadas)
Peso	Provox SolaTone Plus 130 g (0,29 libras); Provox TruTone Emote 130 g (0,29 libras); Provox TruTone Plus 131 g (0,29 libras)
Especificaciones del cargador	5 V, 750 mA mínimo (o 0,75 A mínimo)

### 4. Cumplimiento

El dispositivo ha sido probado y cumple con la norma IEC 60601-1-2 con el nivel de prueba adoptado para el entorno doméstico.

## 1. Informação descritiva

### 1.1 Utilização prevista

Uma laringe eletrônica é uma laringe artificial alimentada por pilha que é aplicada externamente e se destina a ser utilizada na ausência da capacidade da laringe para a produção de som. Quando é encostada à pele na área da laringe, ou através da introdução de um tubo na cavidade oral (com um adaptador oral), o dispositivo gera vibrações mecânicas que ressoam nas cavidades oral e nasal e que podem ser moduladas pela língua e os lábios de modo normal, permitindo assim falar.

### 1.2 Contraindicações

O dispositivo apenas deve ser utilizado de acordo com as instruções de utilização. Os utilizadores sem a capacidade física, cognitiva ou mental necessária para operar autonomamente o dispositivo não devem utilizar o dispositivo de forma independente e apenas devem usá-lo se estiverem sob supervisão suficiente de um profissional de saúde ou de um prestador de cuidados com formação. O dispositivo não deve ser aplicado diretamente sobre tecido frágil do pescoço com vasos sanguíneos fracos. Tal pode causar danos nos tecidos ou hemorragia. Os pacientes com esta condição apenas devem utilizar o dispositivo após instruções específicas sobre como utilizá-lo e onde aplicá-lo, facultadas pelo respetivo profissional de saúde.

### 1.3 Descrição do dispositivo

Uma laringe eletrônica é uma laringe artificial alimentada por pilha que é aplicada externamente em pele não danificada e se destina a ser utilizada na ausência da capacidade da laringe para a produção de som.

### 1.4 Advertências

- O não cumprimento das instruções de segurança pode resultar em lesões pessoais ou danos no dispositivo. Leia todas as informações de segurança indicadas abaixo antes de utilizar o dispositivo.
- Utilizar o dispositivo incorretamente ou não seguir estas instruções de utilização pode resultar em lesões pessoais e/ou danos no dispositivo.
- Não partilhe o dispositivo com outras pessoas, uma vez que tal pode resultar em contaminação cruzada. O dispositivo destina-se exclusivamente a utilização num único paciente.
- Não ligue, utilize ou carregue o dispositivo se este tiver sido exposto ou tiver caído em água ou outros líquidos, uma vez que tal pode causar lesões pessoais e/ou danos no dispositivo.
- Antes de carregar, inspecione o carregador para verificar se existem danos. Um carregador danificado ou não funcional não deverá ser utilizado, uma vez que tal pode causar incêndio, lesões pessoais ou danos no dispositivo.
- Utilize apenas carregadores aprovados, uma vez que a utilização de carregadores não aprovados pode causar incêndios, lesões pessoais ou danos no dispositivo.
- Não tente carregar pilhas não recarregáveis, uma vez que tal pode resultar em lesões pessoais ou danos no dispositivo.
- Não substitua as pilhas recarregáveis por pilhas não recarregáveis, uma vez que tal pode resultar em lesões pessoais ou danos no dispositivo.
- Não danifique fisicamente as pilhas, uma vez que tal pode resultar em lesões pessoais ou danos no dispositivo.
- Não armazene as pilhas em bolsos, carteiras, caixas ou gavetas etc. onde possam entrar em curto-circuito entre si ou entrar em curto-circuito com materiais condutores, como moedas ou chaves, uma vez que tal pode resultar em lesões pessoais ou danos no dispositivo.

- Não utilize pilhas com fugas, uma vez que tal pode resultar em lesões pessoais ou danos no dispositivo.
- Não exponha a pilha de lítio a temperaturas fora dos intervalos de temperatura especificados no rótulo, uma vez que tal pode resultar em lesões pessoais ou danos no dispositivo.
- Tenha cuidado durante a substituição das pilhas. A instalação incorreta das pilhas pode resultar em situações de risco, como calor extremo ou incêndio, uma vez que tal pode resultar em lesões pessoais ou danos no dispositivo ou outros materiais.
- O dispositivo contém um íman que gera campos magnéticos e eletromagnéticos que podem interferir com o funcionamento de pacemakers ou outros dispositivos implantáveis, assim como determinados procedimentos ou tratamentos. Mantenha uma distância mínima de 15 cm (6 pol.) entre o dispositivo e quaisquer dispositivos médicos implantados. Consulte o seu médico antes de qualquer procedimento ou tratamento médico. Caso suspeite de interferência entre o dispositivo e quaisquer dispositivos médicos implantados, interrompa a utilização e consulte o seu médico.
- Não introduza qualquer parte do dispositivo ou acessórios no estoma, uma vez que tal pode resultar em lesões pessoais.
- Não modifique o dispositivo, uma vez que tal pode resultar em lesões pessoais ou danos no dispositivo.
- O dispositivo contém peças pequenas que podem desalojar-se e apresentar risco de asfixia. Mantenha afastado de crianças de tenra idade.

## 1.5 Precauções

- Tenha cuidado para não danificar a cablagem da pilha ao abrir/fechar a tampa do compartimento da pilha.
- O não cumprimento das instruções de manutenção pode resultar em lesões pessoais e/ou danos no dispositivo.
- Nunca utilize um dispositivo avariado, modificado ou alterado nem carregue um dispositivo avariado, modificado ou alterado, uma vez que tal pode resultar em lesões pessoais e/ou danos no dispositivo.
- Os dispositivos e as pilhas podem aquecer (até 45 °C/113 °F) durante o carregamento. Deixe o dispositivo arrefecer antes de o utilizar.
- O dispositivo pode aquecer durante a utilização. Tome as precauções necessárias ao colocar no pescoço para utilização.
- Com utilização extensiva, as vibrações podem causar desconforto a alguns utilizadores mais sensíveis.
- O dispositivo pode funcionar incorretamente ou deixar de funcionar devido a interferências do campo eletromagnético de outros dispositivos.
- Tenha cuidado para não mastigar/morder o tubo oral, uma vez que tal pode resultar em danos dentários.
- Tenha cuidado para não deixar cair o dispositivo, uma vez que tal pode danificar o dispositivo.
- O dispositivo pode causar sensação de esforço e fadiga no ombro/braço de indivíduos com disfunção do ombro.

## 2. Instruções de utilização

**Definições:** TTE = *Provox TruTone Emote*, TTP = *Provox TruTone Plus*, TTE/P = *ambos os produtos Provox TruTone*, STP = *Provox SolaTone Plus*

### 2.1 Conteúdo

#### Conteúdo da caixa

- Laringe eletrónica
- Instruções de utilização
- Adaptador oral
- Pacote do conjunto de tubos orais

- Cabo micro USB
- Leitor de som extra nítido (TTE/P)
- Duas pilhas recarregáveis AA NiMH (STP)
- Cordão

### Especificação de peças (Ilustração 1)

- A. Leitor de som (x2 TTE/P) (x1 STP) (incluindo botão de som e anel de espuma)
- B. Separador do leitor de som (TTE/P)
- C. Botão de alimentação (botão Emotion™ em TTE/P)
- D. Botão de volume
- E. Corpo
- F. Pilha
- G. Tampa do compartimento da pilha
- H. Conector da pilha (TTE/P)
- I. Tubo oral (2 + 2)
- J. Adaptador oral
- K. Botão de ajuste do tom
- L. Indicador luminoso LED
- M. Botão de MODO (TTE/P)
- U. Cobertura antipoeira da entrada USB (TTE/P)
- V. Tomada de carregamento USB

## 2.2 Instruções de funcionamento

### 2.2.1 Nível e potência do volume

- O botão de volume (D) está desligado se estiver completamente rodado para baixo.
- Ligue o dispositivo e ajuste o volume ao rodar o botão de volume (D) para cima.

### 2.2.2 Ajustar o tom

- Ajuste o tom ao rodar o botão de ajuste do tom (K).
- Mantenha o botão de alimentação (C) premido enquanto realiza o ajuste inicial para ouvir as diferenças.
- Rodar o botão de ajuste do tom (K) sem manter o botão de alimentação (C) premido irá alterar o tom mesmo que não o consiga ouvir.

### 2.2.3 Definir o modo (TTE/P)

Para alterar o modo, remova primeiro a tampa do compartimento da pilha e, em seguida, prima o botão de modo (M) e o botão de alimentação (C). O modo muda automaticamente, mas se continuar a premir o botão de alimentação, o dispositivo irá emitir um sinal sonoro para indicar a nova definição de modo. O número de sinais sonoros e o tom dos mesmos indicam qual o modo selecionado.

O Provox TruTone Emote (TTE) possui seis modos 1–6 e o Provox TruTone Plus (TTP) possui dois modos 1–2.

**Modos 1–4:** Quatro amplitudes predefinidas.

Modo 1 — Quase monotónico	1 sinal sonoro
Modo 2 — Variações tonais baixas — amplitude de 1/2 oitava	2 sinais sonoros
Modo 3 — Variações tonais médias	3 sinais sonoros
Modo 4 — Variações tonais altas — amplitude de 2 oitavas	4 sinais sonoros

**Modos 5–6 (TTE):** O modo de volume permite-lhe controlar o volume com o botão de alimentação (C) em vez do tom (K). Este destina-se a pessoas que não utilizam o controlo de tom e permite o controlo do volume sem mexer no botão. Um toque muito leve permite-lhe falar com o tom do tipo «sussurro», ao passo que premir firmemente emite som ao volume máximo. No entanto, o botão de controlo de volume continua a limitar o volume máximo. Mudar para estes modos cria um som do tipo «crescente» (com um tom crescente), em vez de um sinal sonoro de tom contínuo.

Modo 5 — Sensibilidade reduzida — o volume máximo requer mais pressão.

2 «Sons crescentes»

Modo 6 — Sensibilidade alta — o volume máximo requer menos pressão.

3 «Sons crescentes»

## 2.2.4 Escolher um leitor de som

Se possuir tecido duro no pescoço ou se estiver num ambiente ruidoso. O leitor de som cinzento pode ser utilizado devido ao seu som mais nítido. (Consulte 2.3.2 Substituir o leitor de som)

## 2.2.5 Utilizar o separador do leitor de som (B) – (TTE/P)

Se utilizar regularmente um tom mais alto e preferir qualidades tonais sem um separador do leitor de som, é possível removê-lo. (Consulte 2.3.3 Colocar/remover o separador do leitor de som)

## 2.2.6 Carregar a pilha

- Puxe a cobertura antipoeira da entrada USB (U) na extremidade superior. (TTE/P)
- Introduza o cabo micro USB na tomada de carregamento USB (V) com uma tomada aprovada para carregamento na parede.
- Verifique se o indicador luminoso LED (L) está aceso.
- Desligue a unidade da corrente elétrica no final do carregamento para poupar energia. Utilize até que o volume comece a diminuir de intensidade, o que significa que está 80% gasta.

### Indicador luminoso LED (L)

- Pilha fraca (TTE/P) — A luz acende ao premir o botão de alimentação, sinalizando que terá de carregar a pilha em breve.
- A carregar — Luz contínua
- Carregamento completo — Luz intermitente

## 2.2.7 Colocação da laringe eletrónica no pescoço

- Coloque o leitor de som (A) encostado ao pescoço e prima o botão de alimentação (C). Não introduza qualquer parte do dispositivo nem os acessórios no estoma.
- Fale à medida que o som é levado até à sua boca. Não force a saída do ar.
- Certifique-se de que existe uma vedação estanque entre o leitor de som e o seu pescoço.
- Experimente diferentes posições até obter o melhor som. Tenha em atenção que até uma alteração de apenas 3 mm (1/8 pol.) pode ter um grande impacto no volume sonoro.
- Se não conseguir obter uma transmissão sonora através do pescoço ou não conseguir encostar o dispositivo ao seu pescoço por motivos médicos, tente colocá-lo na bochecha ou utilize o adaptador oral (consulte 2.3.4 Instalar/utilizar o adaptador/tubo oral opcional).
- Ajustar o tom base para cima ou para baixo pode produzir uma melhor voz.
- Para a maior parte das pessoas, os tons intermédios são mais fáceis de escutar.

## 2.2.8 Adaptador oral opcional e tubos orais opcionais

Se a colocação no pescoço não for adequada para si caso tenha um pescoço mais sensível ou ocorra excesso de zumbido, é possível utilizar o adaptador oral. (Consulte 2.3.4 Instalar/utilizar o adaptador/tubo oral)

## 2.2.9 Orientações para a utilização em demonstração

### Atenção!

O adaptador oral, o tubo oral e o leitor de som destinam-se exclusivamente a utilização num único paciente e não devem ser reutilizados entre pacientes.

### **Precaução!**

Realize a manutenção do dispositivo após cada utilização em pacientes e em demonstrações, de acordo com as instruções de manutenção.

- A utilização em demonstrações destina-se a determinar a adequação do paciente para o dispositivo.
- Os utilizadores devem limpar e desinfetar as mãos com álcool isopropílico (IPA) ou outro desinfetante adequado ou usar luvas.
- O leitor de som (A) (incluindo o botão de som e o anel de espuma) deverá ser substituído e eliminado após cada utilização em pacientes (consulte 2.3.2 Substituir o leitor de som).
- O dispositivo deverá ser limpo antes e após cada utilização em pacientes, de acordo com 2.3.1 Manutenção do dispositivo.

## **2.3 Manutenção e substituição de peças**

### **2.3.1 Manutenção do dispositivo**

- As ações de manutenção são da responsabilidade do utilizador. A manutenção deve ser realizada após cada utilização.
- Limpe o dispositivo com um pano limpo e seco ou, se necessário, com um pano ligeiramente humedecido (não molhado). Utilize água com sabão neutro ou álcool isopropílico a 50–75%.
- Tenha cuidado para não deixar entrar humidade no interior do dispositivo.
- Não utilize dispositivos de limpeza elétricos ou pulverizadores.

### **2.3.2 Substituir o leitor de som (Ilustração 5)**

Contacte o seu representante local para obter leitores de som de substituição.

1. Limpe o dispositivo de acordo com 2.3.1. Manutenção. Certifique-se de que aplica uma ligeira pressão e limpa o botão de alimentação com um movimento circular ou de rotação. Após limpar o corpo, limpe a tampa do leitor de som, tendo o cuidado de não aplicar pressão excessiva que faria com que o botão de som superior se deslocasse.
2. Remova o leitor de som, desapertando-o.
3. Certifique-se de que o separador do leitor de som (B) ainda está instalado. Substitua-o se estiver avariado ou em falta antes de instalar o novo leitor de som (A) (TTE/P) (consulte 2.3.3 Colocar/remover o separador do leitor de som).
4. Instale o novo leitor de som (A).

**Precaução:** Não remova o diafragma de silicone por baixo do leitor de som. O diafragma de silicone deve ser mantido na ranhura na haste da bobina/do acionador. **(Ilustração 3)**

**Precaução:** Não torça a bobina/o acionador. Os fios devem enrolar-se suavemente à volta da bobina/do acionador. **(Ilustração 3)**

### **2.3.3 Colocar/remover o separador do leitor de som (Ilustração 2)**

1. Desaperte o leitor de som.
2. Coloque/remova o separador.
3. Volte a apertar o leitor de som.
4. Teste o dispositivo, escutando as qualidades tonais. Se preferir a qualidade tonal proporcionada sem o separador, certifique-se de que guarda o mesmo num local seguro como, por exemplo, a caixa onde foi fornecido o dispositivo.

### **2.3.4 Instalar/utilizar o adaptador/tubo oral (Ilustração 3)**

1. Introduza o tubo oral (I) na parte superior do adaptador oral (J).



**Precaução:** Não introduza o tubo oral para além do ponto de paragem. Certifique-se de que o tubo não fica saliente na área da tampa.

2. Coloque o adaptador oral sobre o leitor de som (A).

**Precaução:** Não torça o adaptador.

3. Coloque o tubo oral no canto da boca.

4. Acione a laringe eletrónica. Emita a voz para a área à volta do tubo oral.

### 2.3.5 Substituir a pilha

#### STP

Duas pilhas AA recarregáveis de hidreto metálico de níquel (NiMH) de 1,5 V.

• Introduza a pilha (F) seguindo as setas que se encontram no interior do STP (Ilustração 1)

#### TTE/P:

Utilize apenas pilhas de íões de lítio aprovadas. Contacte os distribuidores para obter mais informações.

• Coloque a pilha (F) como ilustrado (Ilustração 1); esta apenas pode ser instalada numa única direção. A patilha de alinhamento do conector da pilha (H) aponta para cima, com o fio vermelho à direita. (**Ilustração 1**)

## 2.4 Guia de resolução de problemas

### 2.4.1 Inteligibilidade insatisfatória durante a utilização do telefone

1. Coloque o microfone do telefone perto do nariz, não abaixo da boca. Tal irá afastar o microfone do som produzido pelo estoma e pela laringe eletrónica.

2. Reduza o volume da laringe eletrónica para que o nível de volume seja o mais baixo possível, sendo ainda possível gerar um tom.

### 2.4.2 A unidade está «morta», «avariada» ou «simplesmente deixou de funcionar»

1. Certifique-se de que o botão de volume (D) não está rodado totalmente para baixo, o que irá desligar o dispositivo.

2. Rode o botão de volume (D) totalmente para baixo para desligar.

3. Prima ligeiramente o botão de alimentação (C) e aumente a pressão. Se o dispositivo ativar e desativar durante o processo, o mesmo necessita de ser substituído. (Consulte 2.5.1 Reparação e assistência)

4. Se o LED ligar sempre que o botão de alimentação (C) for premido, o dispositivo está com pouca bateria e precisa de ser carregado. (TTE/P)

5. Ligue um cabo micro USB em bom estado e ligado à corrente elétrica ao dispositivo. Se o dispositivo ligar e o LED piscar, a pilha do dispositivo está desligada da corrente elétrica. Remova a tampa do compartimento da pilha e pressione o conector do cabo da pilha (plástico preto onde se encontram os fios pretos e vermelhos) para o interior da estrutura.

### 2.4.3 A luz de carregamento (L) não acende durante o carregamento

1. Teste a tomada de alimentação com um candeeiro.

2. Certifique-se de que o cabo micro USB está totalmente ligado à fonte de alimentação e ao dispositivo.

3. Experimente utilizar um cabo micro USB diferente.

4. Experimente utilizar uma fonte de alimentação diferente (tomada de alimentação USB).

5. Teste o carregador e o cabo num telemóvel ou noutro dispositivo.

## **STP**

6. Certifique-se de que a pilha (ou pilhas) é recarregável.  
O dispositivo não carrega pilhas não recarregáveis.

7. Certifique-se de que as pilhas estão introduzidas corretamente. Verifique se as pilhas estão colocadas na orientação correta, com o lado + da pilha orientado para o lado + do dispositivo.

## **TTE/P:**

8. Ligue um cabo micro USB em bom estado e ligado à corrente elétrica ao dispositivo e acione o botão de alimentação (C); se o dispositivo ligar e o LED piscar, a pilha do dispositivo está desligada da corrente elétrica. Remova a tampa do compartimento da pilha (G) e pressione o conector da pilha (H) para o interior da estrutura.

### **2.4.4 A unidade «tem excesso de zumbido», «não soa bem», «tem um som abafado» ou «tem um som pouco nítido»**

1. Certifique-se de que o leitor de som (A) está em contacto total com a pele do pescoço.
  2. Experimente colocar num local diferente no pescoço. (Consulte 2.2.7 Colocação da laringe eletrónica no pescoço)
  3. Reduza o volume (D).
  4. Ajuste o tom (K).
  5. Utilize o adaptador oral (consulte 2.3.4 Instalar/utilizar o adaptador oral e o tubo oral)
  6. Inspeccione a tampa. Se o botão de som parecer solto ou se mover ligeiramente ou se o anel de espuma parecer danificado, é possível que o dispositivo necessite de um novo anel de espuma.
  7. Remova o leitor de som (A) e verifique o seu interior.
    - Existe uma pequena peça de borracha colada no centro do leitor de som (A)? Se não for o caso, a unidade necessita de um botão de som de substituição. (Consulte 2.5.1 Reparação e assistência)
    - Certifique-se de que o diafragma está fixado ao suporte da bobina.
- Certifique-se de que a bobina salta livremente ao tocar na mesma e de que não tem uma sensação arenosa (Ilustração 4)

## **TTE/P:**

1. Experimente o leitor de som extra nítido opcional (2.3.2 Substituir o leitor de som) (Ilustração 5)

### **2.4.5 «O leitor de som (A) separou-se» ou o botão de som foi removido da tampa**

1. Verifique se o anel de espuma está danificado.
2. Se não estiver danificado, o anel de espuma original pode ser reutilizado e instalado novamente.
3. Se estiver danificado, o mesmo deve ser substituído.

## **TTE/P:**

A sensibilidade do sensor de botões pode ser demasiado alta. Experimente um MODO diferente, normalmente um modo inferior.

### **2.4.6 O botão «fica preso»**

1. Consulte as instruções gerais de limpeza (2.3.1 Manutenção do dispositivo).
2. Utilize uma cotonete ou uma zaragatoa de algodão com uma pequena quantidade de álcool recomendado (2.3.1 Manutenção do dispositivo) para limpar a área em torno do botão de alimentação 5–6 vezes e, em seguida, prima o botão de alimentação 5–6 vezes.

3. Alterne entre premir o botão de alimentação e limpar em torno do botão com uma cotonete ou uma zaragatoa de algodão. Repita o processo até o botão deixar de ficar preso.

4. Utilize um pedaço de papel mais grosso para remover detritos presos na ranhura do botão de alimentação.

### 2.4.7 Tom instável (TTE/P)

Experimente um modo com uma sensibilidade mais reduzida. (Consulte 2.2.3 Definir o modo)

### 2.4.8 Volume instável (TTE/P)

Experimente um modo que não seja um modo de volume. (Consulte 2.2.3 Definir o modo)

### 2.4.9 A unidade causa interferência na recepção de rádio ou televisão

1. Reoriente ou altere a localização da antena recetora.
2. Aumente a separação entre o equipamento e o recetor.
3. Ligue o equipamento a uma saída num circuito diferente do circuito ao qual está ligado o recetor.
4. Solicite ajuda ao distribuidor ou a um técnico com experiência em rádio/ televisão.

## 2.5 Reparação

### 2.5.1 Reparação e assistência

A laringe eletrónica não contém quaisquer peças passíveis de serem reparadas para além das que são amovíveis pelo paciente. As peças sujeitas a assistência incluem as pilhas, o leitor de som, o separador do leitor de som, o anel de espuma, o adaptador oral e os tubos orais. Contacte o seu representante local para obter assistência na utilização ou manutenção da sua laringe eletrónica e para encomendar peças disponíveis.

## 2.6 Eliminação

Cumpra sempre os requisitos nacionais e de medicina geral em relação aos riscos biológicos ao eliminar um dispositivo médico usado.

## 2.7 Comunicação de incidentes

Tenha em atenção que qualquer incidente grave que tenha ocorrido, relacionado com o dispositivo, deve ser comunicado ao fabricante e à autoridade nacional do país onde o utilizador e/ou o paciente residem.

# 3. Especificações técnicas

Descrição	Especificação
Temperatura de funcionamento (para assegurar a vida útil ideal da pilha)	+5 °C a +25 °C +41 °F a +77 °F
Temperatura de armazenamento e transporte (para assegurar a vida útil ideal da pilha)	-20 °C a +25 °C -4 °F a +77 °F

<b>Descrição</b>	<b>Especificação</b>
Humidade de funcionamento (para assegurar a vida útil ideal da pilha)	15% a 93% de humidade relativa, 700 hPa a 1060 hPa
Humidade de armazenamento	0% a 45% de humidade relativa
Vida útil esperada	1–5 anos
Peça aplicada	Peça aplicada tipo BF (todo o dispositivo)
Modo de funcionamento	30 minutos de ativação durante um período de 24 horas
Fonte de alimentação	Alimentado internamente
Dimensões	Provox SolaTone Plus 118 mm (4,6 pol.); Provox TruTone Emote 113 mm (4,5 pol.); Provox TruTone Plus 113 mm (4,5 pol.).
Peso	Provox SolaTone Plus 130 g (0,29 libras); Provox TruTone Emote 130 g (0,29 libras); Provox TruTone Plus 131 g (0,29 libras)
Especificações de carregamento	5 V, 750 mA no mínimo (ou 0,75 A no mínimo)

## 4. Adesão

O dispositivo foi testado e está em conformidade com a norma IEC 60601-1-2, com um nível de teste adaptado para o ambiente doméstico.

# 1. Beskrivning

## 1.1 Avsedd användning

En röstgenerator är ett batteridrivet konstgjort struphuvud som används externt och är avsett att producera ljud när förmågan att använda struphuvudet saknas. När produkten hålls mot huden nära struphuvudet, eller ett anslutet rör förs in i munhålan (med en oral adapter), genererar den mekaniska vibrationer. Dessa genljuder i mun- och näshålan och kan moduleras med hjälp av tungan och läpparna på ett normalt sätt, vilket gör det möjligt att producera tal.

## 1.2 Kontraindikationer

Produkten får endast användas i enlighet med bruksanvisningen. Användare som saknar den fysiska, kognitiva eller mentala förmåga som krävs för att använda produkten på egen hand bör inte använda produkten själva och bör endast använda den om de står under tillräcklig övervakning av läkare, logoped eller utbildad vårdgivare. Produkten ska inte placeras direkt över skör halsvävnad med svaga blodkärl. Detta kan skada vävnaden och orsaka blödningar. Användare bör endast använda produkten efter specifika instruktioner från läkare eller logoped om hur man använder produkten och var den kan placeras på ett säkert sätt.

## 1.3 Produktbeskrivning

En röstgenerator är ett batteridrivet konstgjort struphuvud som används externt på oskadad hud. Produkten är avsedd för att producera ljud när struphuvudet eller förmågan att använda det saknas.

## 1.4 Varningar

- Underlåtenhet att följa säkerhetsanvisningarna kan leda till personskador eller skada produkten. Läs all säkerhetsinformation nedan innan du använder produkten.
- Felaktig användning av produkten eller att inte följa instruktionerna i denna bruksanvisning kan orsaka personskada och/eller skada produkten.
- Använd inte produkten på olika personer, detta kan orsaka korskontaminering. Produkten är endast avsedd för enpatientsbruk.
- Produkten får inte slås på, användas eller laddas om den utsatts för eller tappats i vatten eller andra vätskor. Sådan användning kan resultera i personskador och/eller skada produkten.
- Kontrollera att laddaren inte är skadad innan produkten laddas. En skadad eller icke-fungerande laddare får inte användas, eftersom det kan orsaka brand, personskador eller skador på produkten.
- Använd endast godkända laddare. Om ej godkända laddare används kan de orsaka brand, personskador eller skador på produkten.
- Försök aldrig att ladda batterier som inte är laddningsbara, då detta kan orsaka personskador eller skada produkten.
- Byt inte ut uppladdningsbara batterier mot batterier som inte är laddningsbara, då detta kan orsaka personskador eller skada produkten.
- Skada aldrig batterierna fysiskt, då detta kan orsaka personskador eller skada produkten.
- Förvara inte batterier i fickan, handväskan, i en låda eller byrålåda etc där de kan kortsluta varandra eller kortslutas av ledande material såsom mynt eller nycklar, då detta kan leda till personskador eller skada produkten.
- Använd aldrig ett läckande batteri, då detta kan orsaka personskador eller skada produkten.
- Utsätt inte litiumbatteriet för temperaturer utanför det temperaturintervall som anges på etiketten, då detta kan orsaka personskador eller skada produkten.

- Var försiktig när du byter batterierna. Om batterierna installeras på fel sätt kan riskfyllda situationer uppstå, till exempel kraftig värmeutveckling eller brand, som kan leda till personskador eller skador på produkten eller omgivningen.
- Produkten innehåller en magnet som genererar magnetiska och elektro-magnetiska fält. Dessa kan störa pacemakers eller andra implanterbara produkter samt vissa procedurer eller behandlingar. Håll ett minsta avstånd på 6 tum/15 cm mellan produkten och eventuella medicinska implantat. Rådgör med din läkare inför medicinska ingrepp eller behandlingar. Om interferens misstänks mellan produkten och medicinska implantat, avbryt användningen och rådgör med din läkare.
- För inte in någon del av produkten eller dess tillbehör i stomat, eftersom detta kan leda till personskador.
- Försök aldrig modifiera produkten, då detta kan orsaka personskador eller skada produkten.
- Produkten innehåller smådelar som kan lossna och utgöra en kvävningrisk. Håll borta från små barn.

## 1.5 Försiktighetsåtgärder

- Var noga med att inte skada batteriets ledningar när du öppnar eller stänger batterilocket.
- Om inte anvisningarna för underhåll följs kan det leda till personskador och/eller skada produkten.
- En trasig, modifierad eller ändrad produkt får aldrig användas eller laddas, eftersom detta kan leda till personskador och/eller skada produkten.
- Produkten och batterierna kan bli varma (upp till 45 °C/113 °F) under laddning. Låt produkten svalna innan den används.
- Produkten kan bli varm när den används. Vidta nödvändiga försiktighetsåtgärder när den placeras mot halsen för användning.
- Vid omfattande användning kan vibrationerna orsaka obehag för vissa känsliga användare.
- Produkten kan fungera felaktigt eller sluta fungera på grund av störningar från elektromagnetiska fält från andra produkter.
- Var försiktig så att du inte tuggar/biter på munröret eftersom det kan orsaka tandskador.
- Var försiktig så att du inte tappar produkten, eftersom det kan orsaka skador på produkten.
- För individer med dysfunktionell axel kan produkten orsaka en känsla av ansträngning och trötthet i armen och axelområdet.

## 2. Bruksanvisning

**Definitioner:** **TTE** = *Provox TruTone Emote*, **TTP** = *Provox TruTone Plus*, **TTE/P** = *båda Provox TruTone-produkterna*, **STP** = *Provox SolaTone Plus*

### 2.1 Innehåll

#### Förpackningens innehåll

- Röstgenerator
- IFU – bruksanvisning
- Oral adapter
- Paket med olika munrör
- Mikro-USB-kabel
- Ljudenhet med extra skarpt ljud (TTE/P)
- 2 uppladdningsbara AA NiMH-batterier (STP)
- Säkringsband

## Delspecifikation (bild 1)

- A. Ljudenhet (x2 TTE/P) (x1 STP) (inklusive ljudknapp och skumgummiring)
- B. Mellanlägg för ljudenhet (TTE/P)
- C. Strömbrytare (Emotion™-knapp i TTE/P)
- D. Volymreglage
- E. Stomme
- F. Batteri
- G. Batterilock
- H. Batterikontakt (TTE/P)
- I. Munrör (2 + 2)
- J. Oral adapter
- K. Justeringsreglage för ton (tonhöjd)
- L. LED-indikatorlampa
- M. Knapp för LÄGE (TTE/P)
- U. USB-dammskydd (TTE/P)
- V. USB-uttag för laddning

## 2.2 Användaranvisningar

### 2.2.1 Volymnivå och ström

- När volymreglaget (D) är vridet hela vägen ned är produkten avstängd.
- Slå på produkten och justera volymen genom att vrida volymreglaget uppåt (D).

### 2.2.2 Justera ton

- Justera tonen genom att vrida på tonjusteringsreglaget (K).
- Håll strömbrytaren (C) intryckt medan du gör din första justering för att höra skillnaderna.
- Om du använder tonreglaget (K) utan att hålla in strömbrytaren (C) ändras tonen fortfarande, utan att du hör ändringen.

### 2.2.3 Ställa in läge (TTE/P)

Om du vill ändra läge tar du först bort batterilocket och trycker sedan på både lägesknappen (M) och strömbrytaren (C). Läget ändras omedelbart, men om du fortsätter att hålla in strömbrytaren kommer produkten att pipa för att indikera den nya lägesinställningen. Antalet pip och deras ton anger vilket läge som har ställts in.

Provox TruTone Emote (TTE) har sex lägen 1–6 och Provox TruTone Plus (TTP) har två lägen 1–2.

#### Lägen 1–4: Fyra förinställda omfång.

Läge 1 – nära monoton	1 pip
Läge 2 – låga tonvariationer – omfång på 1/2 oktav	2 pip
Läge 3 – medium tonvariationer	3 pip
Läge 4 – höga tonvariationer – omfång på 2 oktaver	4 pip

**Lägen 5–6 (TTE):** Volymläget låter dig styra volymen med strömbrytaren (C), istället för tonen (K). Läget är avsett för människor som inte använder tonkontroll och gör att man kan kontrollera volymen utan att röra på reglaget. En mycket lätt beröring låter dig ”viska” medan ett fast tryck ger ljud vid full volym. Volymreglaget begränsar fortfarande maxvolymen. Om man byter till dessa lägen hörs ett ”svepande” ljud (med ökande ton), snarare än ett stadigt pip.

Läge 5 – Låg känslighet – full volym kräver mer tryck. 2 ”svepande” ljud

Läge 6 – Hög känslighet – full volym kräver mindre tryck. 3 ”svepande” ljud

## 2.2.4 Välja ljudenhet

Om din halsvävnad är hård eller du befinner dig i en högljudd miljö. Det grå ljudhuvudet kan användas eftersom det ger ett skarpare ljud. (Se 2.3.2 Byta ljudenhet)

## 2.2.5 Använda ljudenhetens mellanlägg (B) - (TTE/P)

Om du regelbundet använder en högre ton och föredrar ljudkvaliteten utan ljudenhetens mellanlägg kan du ta bort det. (Se 2.3.3 Lägg till/ta bort mellanlägg för ljudenhet)

## 2.2.6 Ladda batteriet

- Dra ut USB-dammskyddet (U) i den övre änden. (TTE/P)
- Sätt in mikro-USB-sladden i USB-uttaget för laddning (V) med en godkänd väggkontakt för laddning.
- Kontrollera att LED-indikatorlampan (L) lyser.
- Koppla ur produkten när laddningen är klar för att spara ström. Använd tills volymen börjar minska, vilket sker när batteriet har tömts på 80 %.

## LED-indikatorlampa (L)

- Låg batterinivå (TTE/P) - Lampan tänds när du trycker på strömbrytaren och signalerar att snart är dags att ladda
- Laddar - fast ljus
- Laddning klar - lampan blinkar

## 2.2.7 Placera röstgeneratoren mot halsen

- Placera ljudenheten (A) mot halsen och aktivera strömbrytaren (C). För inte in någon del av röstgeneratoren eller tillbehören i stomat.
- Tala när ljud överförs till din mun. Tvinga inte ut luft.
- Se till att du har en lufttät försegling mellan ljudenheten och din hals.
- Prova olika positioner tills du får fram det bästa ljudet. En positionsändring på så lite som 3 millimeter (1/8 tum) kan påverka ljudvolymen rejält.
- Om du av medicinska skäl inte kan uppnå ljudöverföring genom huden på halsen, eller av medicinska skäl inte kan placera produkten mot halsen, kan du prova att placera produkten mot kinden eller använda den orala adaptern/munröret (Se installera/använda tillbehöret oral adapter/munrör 2.3.4).
- En justering av bastonen uppåt eller nedåt kan få fram en bättre röst.
- Toner i mellanregistret är lättare att höra för de flesta människor.

## 2.2.8 Oral adapter och munrör (tillbehör)

Om placering mot halsen inte fungerar för dig på grund av öm hals eller överdrivet surr kan du använda den orala adaptern. (Installera/använda oral adapter/munrör 2.3.4)

## 2.2.9 Riktlinjer för användning vid demonstration

### Varning!

Den orala adaptern, munröret och ljudenheten är endast avsedda för en enskild patient och ska inte återanvändas mellan patienter.

### Försiktighetsåtgärd!

Underhåll produkten efter varje patient och demonstrationsanvändning enligt anvisningarna för underhåll.

- Användning för demonstration är avsedd att avgöra om patienten är lämplig för produkten.
- Användaren ska tvätta och desinfektera händerna med isopropylalkohol (IPA) eller annat lämpligt desinfektionsmedel, eller använda handskar.
- Ljudenheten (A) (inklusive ljudknappen och skumgummiringen) ska bytas ut och kasseras mellan varje patient (2.3.2 Byta ljudenhet).
- Produkten ska torkas av före och efter varje patient enligt 2.3.1 Underhåll av produkten.



## 2.3 Underhåll och delbyte

### 2.3.1 Underhåll av produkten

- Underhållsåtgärderna är användarens ansvar. Underhåll bör utföras efter varje användning.
- Torka av produkten med en ren, torr trasa, eller vid behov en lätt fuktig trasa (ej droppande våt). Använd vatten med mild tvål eller isopropylalkohol 50–75 %.
- Var försiktig så att inte fukt tränger in i produkten.
- Använd inte elektrisk rengöring eller sprayrengöringsmedel.

### 2.3.2 Byte av ljudenhet (bild 5)

Kontakta din lokala representant för att få reservljudenheter.

1. Torka av produkten enligt 2.3.1. Underhåll. Var noga med att använda lätt tryck och torka av strömbrytarknappen med en cirklande eller vridande rörelse. Torka först av stommen och sedan ljudenhetens lock. Var noga med att inte applicera onödigt tryck som kan göra att den övre ljudknappen lossnar.
2. Ta bort ljudenheten genom att skruva loss den.
3. Kontrollera att ljudenhetens mellanlägg (B) fortfarande är installerat. Byt ut det om det är trasigt eller saknas innan du installerar det nya ljudhuvudet (A) (TTE/P) (Se. 2.3.3 Lägg till/ta bort mellanlägg för ljudenhet).
4. Installera en ny ljudenhet (A).

**Försiktighetsåtgärd:** Ta inte bort silikonmembranet under ljudenheten. Silikonmembranet ska sitta kvar i spåret på spolens/ställdonets stam. **(Bild 3)**

**Försiktighetsåtgärd:** Vrid inte på spolen/ställdonet. Ledningarna ska vara smidigt uppsnurrade runt spolen/ställdonet. **(Bild 3)**

### 2.3.3 Lägg till/ta bort mellanlägg för ljudenhet (bild 2)

1. Skruva loss ljudenheten.
2. Lägg till/ta bort mellanlägget.
3. Skruva på ljudenheten igen.
4. Testa produkten och lyssna på hur ljudet formas. Om du föredrar ljudkvaliteten utan mellanlägg är det viktigt att du förvarar mellanlägget på ett säkert ställe, till exempel i förpackningen som produkten levererades i.

### 2.3.4 Installera/använda oral adapter/munrör (bild 3)

1. För in munröret (I) i den orala adapterns (J) topp.

**Försiktighetsåtgärd:** För inte in munröret bortom stoppet. Se till att röret inte sticker in i lockområdet.

2. Placera den orala adaptern över ljudenheten (A).

**Försiktighetsåtgärd:** Skruva inte på den.

3. Placera munröret i munnen, i mungipan.
4. Aktivera röstgeneratoren. Tala runt munröret.

### 2.3.5 Byta batteri

#### STP

Två 1,5 V nickel-metallhydrid (NiMH) uppladdningsbara AA-celler.

- Installera batterier (F) genom att följa pilarna på insidan av STP (bild 1)

#### TTE/P:

Använd endast godkända litiumjonbatterier. Kontakta distributören för mer information.

- Sätt in batteriet (F) så som visas (bild 1) – de passar bara på ett sätt. Batterikontaktens (H) inriktningflik pekar uppåt, med den röda kabeln åt höger. **(Bild 1)**

## 2.4 Felsökningsguide

### 2.4.1 Otillräcklig begriplighet vid telefonanvändning

1. Placera telefonmikrofonen uppe vid näsan, inte under munnen. Detta flyttar mikrofonen bort från ljud som kommer från stomat och röstgeneratoren.
2. Minska volymen på röstgeneratoren så att volymnivån är så tyst som den kan vara, samtidigt som den fortfarande genererar en ton.

### 2.4.2 Produkten är "död", "trasig" eller "slutade bara fungera"

1. Kontrollera att volymreglaget (D) inte är vridet hela vägen ner, vilket stänger av produkten.
2. Vrid volymreglaget (D) hela vägen ner till av.
3. Tryck lätt på strömbrytarknappen (C) och öka trycket. Om produkten aktiveras och inaktiveras under processen måste den skickas in för utbyte. (Se 2.5.1 Service och hjälp)
4. Om LED-lampan tänds varje gång strömbrytaren (C) trycks in har produkten låg batterinivå och behöver laddas. (TTE/P)
5. Anslut en fungerande och strömförsedd mikro-USB-kabel till produkten. Om produkten tänds och LED-lampan blinkar är produktens batteri urkopplat. Ta bort batterilocket och tryck batterikabelkontakten (svart plast där de svarta och röda kablarna sitter) längre in i höljet.

### 2.4.3 Laddningslampan (L) tänds inte under laddning

1. Testa eluttaget med en lampa.
2. Kontrollera att mikro-USB-kabeln är korrekt ansluten till strömförsörjningen och produkten.
3. Prova en annan mikro-USB-kabel.
4. Prova en annan strömförsörjning (USB-eluttag).
5. Testa laddare och kabel på en mobiltelefon eller annan produkt.

#### STP

6. Kontrollera att batteriet (eller batterierna) är uppladdningsbara. Produkten kan inte ladda ej uppladdningsbara batterier.
7. Kontrollera att batterierna är korrekt isatta. Kontrollera att batterierna sitter åt rätt håll med batteriets + mot produktens +.

#### TTE/P:

8. Anslut en fungerande, strömförsörd mikro-USB-kabel till produkten och aktivera strömbrytarknappen (C), om produkten slås på och LED-lampan blinkar är produktens batteri urkopplat. Ta bort batterilocket (G) och tryck batterikontakten (H) längre in i höljet.

### 2.4.4 Produkten "surrar för mycket", "låter konstigt", "låter dämpat" eller "otydligt"

1. Kontrollera att ljudenheten (A) har full kontakt med huden på halsen.
2. Prova en annan plats på halsen. (Se 2.2.7 Placera röstgeneratoren mot halsen)
3. Sänk volymen (D).
4. Justera tonen (K).
5. Använd den orala adaptorn (se Installera/använda oral adapter/munrör 2.3.4)
6. Inspektera locket. Om ljudknappen verkar lös eller har flyttats något eller om skumgummiringen verkar skadad kan produkten behöva en ny skumgummiring.

7. Ta bort ljudenheten (A) och titta inuti.

- Finns det en liten gummibit fastlimmad i mitten av ljudhuvudet (A)? Om inte, behöver produkten en ny ljudknapp. (Se 2.5.1 Service och hjälp)
- Kontrollera att membranet är fastsatt på spolens stolpe. Kontrollera att spolen studsar fritt vid beröring och inte känns grusig (bild 4)

#### **TTE/P:**

1. Prova ljudenheten med extra skarpt ljud (2.3.2 Byte av ljudenhet) (bild 5)

### **2.4.5 "Ljudenheten (A) lossnade" eller ljudknappen har tryckts ut ur locket**

1. Kontrollera om skumgummiringen är skadad.
2. Om den inte är skadad kan den ursprungliga skumgummiringen återanvändas och monteras tillbaka.
3. Om den är skadad måste den bytas ut.

#### **TTE/P:**

Knappsensorn kan vara för känslig. Prova ett annat LÄGE, vanligtvis ett lägre läge.

### **2.4.6 Knappen "fastnar"**

1. Läs de allmänna anvisningarna för rengöring (2.3.1 Underhåll av produkten)
2. Använd en bomullstops med en liten mängd rekommenderad alkohol (2.3.1 Underhåll av produkten) för att rengöra runt strömbrytaren 5–6 gånger och tryck sedan på strömbrytaren 5–6 gånger.
3. Växla mellan att trycka på knappen och att rengöra runt knappen med bomullstops. Fortsätt tills den inte längre hakar upp sig.
4. Använd ett tjockare papper för att ta bort skräp som fastnat i springan runt strömbrytarknappen.

### **2.4.7 Ostadig ton (TTE/P)**

Prova ett läge med lägre känslighet. (Se 2.2.3 "Ställa in läge".)

### **2.4.8 Ostadig volym (TTE/P)**

Prova ett läge som inte är ett volymläge. (Se 2.2.3 "Ställa in läge".)

### **2.4.9 Produkten orsakar störningar i radio- eller TV-mottagningen**

1. Vrid eller flytta den mottagande antennen.
2. Öka avståndet mellan utrustningen och mottagaren.
3. Anslut utrustningen till ett uttag på en annan krets än den som mottagaren är ansluten till.
4. Kontakta återförsäljaren eller en erfaren radio/TV-tekniker för hjälp.

## **2.5 Service**

### **2.5.1 Service och hjälp**

Röstgeneratören innehåller inga andra servicedelar än de som patienten kan ta av. Servicedelar inkluderar batterier, ljudenhet, ljudenhetens mellanlägg, skumgummiringen, oral adapter och munrör. Kontakta din lokala representant för hjälp med att använda eller underhålla din röstgenerator och för att beställa tillgängliga delar.

## **2.6 Kassering**

Följ alltid medicinsk praxis och nationella krav rörande biologiska risker vid kassering av en använd medicinteknisk produkt.

## 2.7 Rapportering

Observera att varje allvarlig incident som har inträffat i samband med produkten ska rapporteras till tillverkaren och den nationella myndigheten i det land där användaren och/eller patienten är bosatt.

## 3. Tekniska specifikationer

Beskrivning	Specifikation
Driftstemperatur (för att bibehålla optimal batteritid)	+5 °C till +25 °C +41 °F till +77 °F
Temperatur vid förvaring och transport (för att bibehålla optimal batteritid)	-20 °C till +25 °C -4 °F till +77 °F
Luftfuktighet vid drift (för att bibehålla optimal batteritid)	15 % till 93 % relativ fuktighet, 700 hPa till 1060 hPa
Luftfuktighet – förvaring	0 % till 45 % relativ fuktighet
Förväntad livslängd	1–5 år
Tillämpad del	Typ BF-applicerad del (hela produkten)
Driftsätt	30 minuters aktivering under en 24-timmarsperiod
Strömkälla	Intern strömförsörjning
Mått	Provox SolaTone Plus 118 mm (4,6 tum); Provox TruTone Emote 113 mm (4,5 tum); Provox TruTone Plus 113 mm (4,5 tum)
Vikt	Provox SolaTone Plus 130 g (0,29 pund); Provox TruTone Emote 130 g (0,29 pund); Provox TruTone Plus 131 g (0,29 pund)
Laddningsspecifikationer	5 V, 750 mA minimum (eller 0,75 A minimum)

## 4. Följsamhet

Produkten har testats och överensstämmer med testnivån för IEC 60601-1-2 som antagits för bostadsmiljö.

# 1. Beskrivelse

## 1.1 Tilsigtet anvendelse

Elektrolarynx er en batteridrevet ekstern, kunstig strube, der bruges, hvis strubehovedet ikke er i stand til at producere lyd. Når den holdes mod huden omkring området ved strubehovedet, eller ved indsættelse af et rør i mundhulen (med en oral adapter), genererer enheden mekaniske vibrationer, der giver genlyd i munden og næsehulen, og når tunge og læber moduleres på normal vis, opstår muligheden for at producere tale.

## 1.2 Kontraindikationer

Enheden må kun anvendes i overensstemmelse med brugsanvisningen. Brugere, der ikke har de fysiske, kognitive eller mentale evner, der kræves for selv at betjene enheden, bør ikke bruge enheden selvstændigt, og bør kun bruge den, hvis de er under tilstrækkeligt tilsyn af en kliniker eller en uddannet plejer. Enheden bør ikke anvendes direkte over skrøbeligt væv med svage blodkar på halsen. Dette kan forårsage vævsskade eller blødning. Patienter med denne tilstand bør kun bruge enheden, når de er blevet specifikt instrueret af klinikerne om, hvordan enheden skal bruges, og hvor den skal placeres.

## 1.3 Beskrivelse af enheden

Elektrolarynx er en batteridrevet ekstern, kunstig strube, der bruges på ubeskadiget hud, og kan bruges ved fravær af strubehovedet, eller hvis strubehovedet ikke er i stand til at producere lyd.

## 1.4 Advarsler

- Manglende overholdelse af sikkerhedsinstruktionerne kan resultere i personskade eller beskadigelse af enheden. Læs alle sikkerhedsoplysningerne nedenfor før brug af enheden.
- Forkert brug af enheden eller manglende overholdelse af instruktionerne i denne brugsanvisning kan forårsage personskade og/eller beskadige enheden.
- Brug ikke enheden mellem personer, da dette kan forårsage krydskontaminering. Denne enhed kan kun bruges af en enkelt patient.
- Tænd, brug eller oplad ikke enheden, hvis den har været udsat for eller tabt i vand eller andre væsker, da det kan forårsage personskade og/eller beskadige enheden.
- Kontrollér opladeren for skader inden opladning. En beskadiget eller ikke-fungerende oplader må ikke længere bruges, da det kan forårsage brand, personskade eller beskadigelse af enheden.
- Brug kun godkendte opladere, da brug af ikke-godkendte opladere kan forårsage brand, personskade eller beskadigelse af enheden.
- Forsøg ikke at oplade ikke-genopladelige batterier, da dette kan resultere i personskade eller beskadigelse af enheden.
- Forsøg ikke at udskifte genopladelige batterier med ikke-genopladelige batterier, da dette kan resultere i personskade eller beskadigelse af enheden.
- Undlad at beskadige batterierne, da dette kan resultere i personskade eller beskadigelse af enheden.
- Opbevar ikke batterier i en lomme, pung, æske eller skuffe osv., hvor de kan kortslutte hinanden, eller blive kortsluttet af ledende materialer såsom mønter eller nøgler. Dette kan resultere i personskade eller beskadigelse af enheden.
- Brug ikke et utæt batteri, da det kan resultere i personskade eller beskadigelse af enheden.

- Udsæt ikke lithiumbatteriet for temperaturer uden for de temperaturområder, der er angivet på etiketten, da det kan resultere i personskade eller beskadigelse af enheden.
- Vær forsigtig, når du udskifter batterierne. Forkert installation af batterierne kan resultere i en farlig situation, såsom ekstrem varme eller brand, og det kan resultere i personskade eller beskadigelse af enheden eller anden ejendom.
- Enheden indeholder en magnet, der genererer magnetiske og elektromagnetiske felter, som kan forstyrre pacemakere eller andre implanterbare enheder samt visse procedurer eller behandlinger. Oprethold en minimumafstand på 6"/15 cm mellem enheden og eventuelle implanterede medicinske enheder. Rådfør dig med din læge før en medicinsk procedure eller behandling. Hvis der er mistanke om interferens mellem enheden og en eventuel implanteret medicinsk enhed, skal du stoppe brugen, og rådføre dig med din læge.
- Indsæt ikke nogen del af enheden eller tilbehøret i stomaen, da dette kan resultere i personskade.
- Forsøg ikke at ændre på enheden, da det kan resultere i personskade eller beskadigelse af enheden.
- Enheden indeholder små dele, der kan løsne sig, og udgøre en kvælningsfare. Holdes væk fra små børn.

## 1.5 Forholdsregler

- Pas på ikke at beskadige batteriledningerne, når du åbner/lukker batteridækslet.
- Manglende overholdelse af sikkerhedsinstruktionerne kan resultere i personskade og/eller beskadigelse af enheden.
- Brug aldrig en ødelagt, modificeret eller ændret enhed. Oplad heller ikke en ødelagt, modificeret eller ændret enhed, da dette kan resultere i personskade og/eller beskadigelse af enheden.
- Enheden og batterier kan blive varme (op til 45 °C/113 °F) under opladning. Lad enheden køle af før brug.
- Enheden kan blive varm under brug. Tag de nødvendige forholdsregler, når du hænger enheden på halsen, og bruger den.
- Ved omfattende brug kan vibrationer forårsage ubehag for nogle følsomme brugere.
- Enheden kan måske ikke fungere eller holder op med at fungere på grund af elektromagnetisk feltinterferens fra andre enheder.
- Pas på ikke at tygge/bide på det orale rør, da det kan forårsage tandskader.
- Pas på ikke at tabe enheden, da det kan forårsage skade på den.
- Enheden kan forårsage følelse af anstrengelse og træthed i skulderen/armen for personer, der har problemer med skulderen.

## 2. Brugsanvisning

**Definitioner:** **TTE** = *Provox TruTone Emote*, **TTP** = *Provox TruTone Plus*, **TTE/P** = *begge Provox TruTone-produkter*, **STP** = *Provox SolaTone Plus*

### 2.1 Indhold

#### Pakkens indhold

- Elektrolarynx
- Brugsanvisning
- Oral adapter
- Pakke med forskellige orale rør
- Mikro USB-kabel
- Ekstra skarpt lydhoved (TTE/P)
- 2 genopladelige NiMH-batterier (STP)
- Nøglesnor

## Delspecifikation (Figur 1)

- A. Lydhoved (x2 TTE/P) (x1 STP) (inklusive lydknop og skumring)
- B. Afstandsstykke til lydhovedet (TTE/P)
- C. Taleknop (Emotion™-knop i TTE/P)
- D. Lydstyrkeknop
- E. Hoveddel
- F. Batteri
- G. Batteridæksel
- H. Batteristik (TTE/P)
- I. Oralt rør (2 + 2)
- J. Oral adapter
- K. Justeringsknop til toner (toneleje)
- L. LED-indikatorlys
- M. Tilstandsknop (TTE/P)
- U. USB-støvdæksel (TTE/P)
- V. USB-opladerstik

## 2.2 Betjeningsvejledning

### 2.2.1 Lydstyrkeniveau og tænd/sluk

- Når lydstyrkeknappen (D) helt nede, er lyden slukket.
- Tænd for enheden, og indstil lydstyrken ved at skrue lydstyrkeknappen opad (D).

### 2.2.2 Justering af tone

- Justér tonen ved at skrue på justeringsknappen for tonen (K).
- Hold tænd/sluk-knappen (C) nede, mens du foretager din første justering for at høre forskellene.
- Brug af toneknappen (K) uden at holde tænd/sluk-knappen (C) nede, ændrer stadig tonen, uden at du kan høre den.

### 2.2.3 Indstilling af tilstand (TTE/P)

Hvis du vil ændre tilstanden, skal du først fjerne batteridækslet og herefter skal du trykke på både tilstandsknappen (M) og tænd/sluk-knappen (C). Tilstanden ændres med det samme, men hvis du fortsætter med at holde tænd/sluk-knappen nede, bipper enheden for at angive den nye indstilling af tilstanden. Antallet af bip og tonen i bippene angiver, hvilken tilstand den er i.

Provox TruTone Emote (TTE) har seks tilstande: 1-6. Provox TruTone Plus (TTP) har to tilstande: 1-2.

**Tilstand 1-4:** Fire forudindstillede intervaller.

Tilstand 1 – Næsten monoton	1 bip
Tilstand 2 – Begrænsede tonevariationer – spænder over ½ oktav	2 bip
Tilstand 3 – Moderate tonevariationer	3 bip
Tilstand 4 – Store tonevariationer – spænder over 2 oktaver	4 bip

**Tilstand 5-6 (TTE):** Lydstyrketilstand giver dig mulighed for at styre lydstyrken med tænd/sluk-knappen (C) i stedet for toneknappen (K). Dette er til personer, der ikke bruger tonestyringen, og det giver mulighed for styring af lydstyrken uden at dreje på knappen. Med en meget let berøring kan du tale med din "hviskestemme", mens et mere fast tryk giver lyd ved fuld lydstyrke. Lydstyrkeknappen begrænser stadig din maksimale lydstyrke. Ved at skifte til disse tilstande får du en "hujende" lyd (med en stigende tone), i stedet for en konstant bip.

Tilstand 5 – lav følsomhed – fuld lydstyrke kræver et mere fast tryk. 2 "Hujende"

Tilstand 6 – høj følsomhed – fuld lydstyrke kræver et svagere tryk. 3 "Hujende"

## 2.2.4 Valg af lyd hoved

Hvis du har hård hud på halsen, eller er i et støjende miljø. Det grå lyd hoved kan bruges på grund af dets skarpe lyd. (Se 2.3.2 Udskiftning af lyd hovedet)

## 2.2.5 Brug af afstandsstykke til lyd hoved (B) - (TTE/P)

Hvis du regelmæssigt bruger en højere tone, og foretrækker de tonale kvaliteter uden et afstandsstykke til lyd hoved, kan du fjerne det. (Se 2.3.3 Tilføj/fjern afstandsstykke til lyd hoved)

## 2.2.6 Opladning af batteri

- Træk USB-støvdækslet (U) ud i den øverste ende. (TTE/P)
- Sæt mikro-USB i USB-opladningsstikket (V) med et godkendt stik til vægopladning.
- Kontrollér, at LED-indikatorlyset (L) er tændt.
- Frakobl enheden, når opladningen er fuldført, for at du kan spare på strømmen. Brug den, indtil lydstyrken begynder at aftage, hvilket sker, når batteriet er 80 % fladt.

### LED-indikatorlys (L)

- Lavt batteri (TTE/P) - Lyset tændes, når du trykker på tænd/sluk-knappen, hvilket signalerer, at det snart er tid til opladning.
- Opladning - Konstant lys
- Gennemført opladning - Blinkende lys

## 2.2.7 Placering af Elektrolarynx på halsen

- Anbring lyd hovedet (A) på halsen, og aktivér taleknappen (C). Indsæt ikke nogen del af enheden eller tilbehøret i stomaen.
- Tal, mens lyden kommer ind i munden. Tving ikke luften ud.
- Sørg for en lufttæt forsegling mellem lyd hovedet og halsen.
- Prøv forskellige positioner, indtil du får den bedste lyd. Selv en positionsændring på 3 mm/1/8" kan have en stor indvirkning på lydstyrken.
- Hvis du ikke er i stand til at opnå lydtransmission gennem din hals eller ikke er i stand til at placere enheden mod din hals af medicinske årsager, prøv kindplacering eller brug den orale adapter (se Installation/brug af valgfri oral adapter/oralt rør 2.3.4).
- Op- eller nedjustering af basistonen kan give en bedre stemme.
- De fleste personer kan nemmere høre mellemklassetoner.

## 2.2.8 Valgfri oral adapter og orale rør

Hvis halsplacering ikke passer dig på grund af en øm hals eller overdreven summen, kan du bruge den orale adapter. (Installation/brug af oral adapter/oralt rør 2.3.4)

## 2.2.9 Retningslinjer for anvendelse til demonstration

### Advarsel!

Den orale adapter, det orale rør og lyd hovedet må kun anvendes til en enkelt patient, og må ikke genbruges til flere patienter.

### Forholdsregel!

Vedligehold enheden efter hver patient og demonstrationsbrug i henhold til vedligeholdelsesinstruktionerne.

- Demonstrationsbrug er beregnet til at bestemme patientens egnethed til enheden.
- Brugerne skal vaske og desinficere sine hænder med isopropylalkohol (IPA) eller et andet egnet desinfektionsmiddel, eller bruge handsker.
- Lyd hovedet (A) (herunder lydknappen og skumring) skal udskiftes, og bortskaffes mellem hver patient. (2.3.2 Udskiftning af lyd hoved).
- Enheden skal tørres af før og efter hver patient i henhold til 2.3.1 Vedligeholdelse af enheden.



## 2.3 Vedligeholdelse og udskiftning af dele

### 2.3.1 Vedligeholdelse af enheden

- Det er brugerens ansvar at sørge for vedligeholdelse. Der skal udføres vedligeholdelse efter hver brug.
- Tør enheden af med en ren, tør klud eller om nødvendigt med en let fugtig klud (ikke dryppende våd). Brug vand med mild sæbe eller isopropylalkohol 50-75 %.
- Pas på, at der ikke kommer fugt ind i enheden.
- Brug ikke elektriske rengøringsmidler eller sprayrengøringsmidler.

### 2.3.2 Udskiftning af lyd hovedet (Illustration 5)

Kontakt din lokale repræsentant for at få skiftet lyd hovedet.

1. Aftør enheden i henhold til 2.3.1. Vedligeholdelse. Sørg for at tørre tænd/sluk-knappen af med et let tryk og med en cirkulær eller vridende bevægelse. Når du har tørret hoveddelen af, skal du tørre dækslet til lyd hovedet af. Tryk ikke for kraftigt på det, hvilket kan løsne den øverste lyd knap.
2. Fjern lyd hovedet ved at skrue det af.
3. Sørg for, at afstandsstykket til lyd hovedet (B) stadig er monteret. Udskift det, hvis det er ødelagt eller mangler, før du installerer det nye lyd hoved (A) (TTE/P) (Se 2.3.3 Tilføj/fjern afstandsstykke til lyd hoved).
4. Installer et nyt lyd hoved (A).

**Forholdsregel:** Pas på, at du ikke fjerner silikonemembranen under lyd hovedet. Silikonemembranen skal forblive i rillen på spolen/aktuatorens skaft. (Illustration 3)

**Forholdsregel:** Pas på, at du ikke drejer på spolen/aktuatoren. Ledningerne skal sno sig glat rundt om spolen/aktuatoren. (Illustration 3)

### 2.3.3 Tilføj/fjern afstandsstykke til lyd hoved (Illustration 2)

1. Skru lyd hovedet af.
2. Tilføj/fjern afstandsstykket.
3. Skru lyd hovedet på igen.
4. Test enheden, og lyt til tonekvaliteten. Hvis du foretrækker tonekvaliteten uden afstandsstykket, skal du opbevare afstandsstykket et sikkert sted, f. eks. i den medfølgende æske.

### 2.3.4 Installation/brug af oral adapter/oralt rør (Illustration 3)

1. Indsæt det orale rør (I) i toppen af den orale adapter (J).

**Forholdsregel:** Før ikke det orale rør længere ind end til stoppet. Sørg for, at røret ikke stikker frem i dækselområdet.

2. Placer den orale adapter over lyd hovedet (A).

**Forholdsregel:** Det må ikke drejes på.

3. Anbring det orale rør i mundvigen.
4. Aktivér Elektrolarynx. Tal omkring det orale rør.

### 2.3.5 Udskiftning af batteri

#### STP

To 1,5 V nikkelmetalhydrid (NiMH) genopladelige AA-batterier.

- Installer batteriet (F) ved at følge pilene placeret inde i STP'en (Illustration 1)

### **TTE/P:**

Brug kun godkendte Li-ion-batterier. Kontakt forhandleren for at få flere oplysninger.

- Isæt batteriet (F) som vist (Illustration 1). Det kan kun sidde på én måde. Justeringstappen til batteristikket (H) peger opad med den røde ledning til højre. (**Illustration 1**)

## **2.4 Fejlfindingsguide**

### **2.4.1 Ikke tilfredsstillende forståelighed ved brug af telefon**

1. Anbring telefonens mikrofon oppe ved næsen, ikke under munden. Dette vil få mikrofonen væk fra stomaen og Elektrolarynx's lyd.
2. Reducer lydstyrken af Elektrolarynx, så lydstyrken er så lav, som den kan blive, men den stadig kan generere en tone.

### **2.4.2 Enheden er "død", "ødelagt" eller "holdt op med at virke"**

1. Sørg for, at lydstyrkeknappen (D) ikke er skruet helt ned, hvilket slukker enheden.
2. Drej lydstyrkeknappen (D) helt ned for at slukke.
3. Tryk let på tænd/sluk-knappen (C) og øg trykket. Hvis enheden aktiveres og deaktiveres i processen, skal enheden indsendes til udskiftning. (Se 2.5.1 Service og assistance)
4. Hvis LED tændes hver gang, der trykkes på tænd/sluk-knappen (C), er enheden lav på batteri, og skal oplades. (TTE/P)
5. Sæt et kendt mikro USB-kabel, der er strømforsynet, til enheden. Hvis enheden tænder, og LED'en blinker, er enhedens batteri frakoblet. Fjern batteridækslet og tryk batterikabelstikket (sort plastik, hvor de sorte og røde ledninger går) længere ind i kabinettet.

### **2.4.3 Opladningslyset (L) tænder ikke under opladning**

1. Test stikkontakten med en lampe.
2. Sørg for, at mikro USB-kablet er sat helt i strømforsyningen og enheden.
3. Prøv et andet mikro USB-kabel.
4. Prøv en anden strømforsyning (Stikkontakt til USB-strøm).
5. Test oplader og kabel på en mobiltelefon eller anden enhed.

### **STP**

6. Sørg for, at batteriet (eller batterierne) er genopladelige. Enheden kan ikke oplade ikke-genopladelige batterier.
7. Sørg for, at batterierne er indsat korrekt. Kontrollér, at batterierne vender rigtigt, så batteriet + passer til enheden +.

### **TTE/P:**

8. Tilslut et kendt mikro USB-kabel, der er strømforsynet til enheden, og aktivér tænd/sluk-knappen (C). Hvis enheden tænder, og LED-lyset blinker, er enhedens batteri frakoblet. Fjern batteridækslet (G), og tryk batterikabelstikket (H) længere ind i kabinettet.

### **2.4.4 Enheden "summer for meget", "lyder mærkeligt", "er dæmpet" eller "ikke tydelig"**

1. Sørg for, at lydhovedet (A) rører huden på halsen.
2. Prøv et andet sted på halsen. (Se 2.2.7 Placering af Elektrolarynx på halsen)
3. Reducer lydstyrken (D).
4. Juster tonen (K).
5. Brug den orale adapter (Se Installation/brug af den orale adapter og det orale rør 2.3.4).

6. Efterse dækslet. Hvis lydknappen virker løs, har bevæget sig lidt eller skumringen ser beskadiget ud, skal enheden muligvis have en ny skumring.

7. Fjern lyd hovedet (A) og kig indeni.

- Er der limet et lille gummistykke på plads i midten af lyd hovedet (A)? Hvis ikke, skal lydknappen på enheden udskiftes. (Se 2.5.1 Service og assistance)

- Sørg for, at membranen er fastgjort på spolens stang. Sørg for, at spolen hopper frit, når den berøres, og at den ikke har nogen fornemmelse af modstand (Illustration 4)

#### **TTE/P:**

1. Prøv det ekstra skarpe lyd hoved (2.3.2 Udskiftning af lyd hovedet) (Illustration 5)

### **2.4.5 "Lyd hovedet (A) er faldet af", eller lydknappen er blevet skubbet ud af dækslet**

1. Kontrollér, om skumringen er beskadiget.

2. Hvis den ikke er beskadiget, kan den originale skumring genbruges og monteres igen.

3. Hvis den er beskadiget, skal den udskiftes.

#### **TTE/P:**

Følsomheden af knap-sensoren kan være for følsom. Prøv en anden TILSTAND, typisk en lavere tilstand.

### **2.4.6 Knappen "sidder fast"**

1. Læs de generelle rengøringsråd (2.3.1 Vedligeholdelse af enheden)

2. Brug en q-tip eller vatpind med en lille mængde anbefalet alkohol (2.3.1 Vedligeholdelse af enheden) til at rengøre 5-6 gange omkring tænd/sluk-knappen, og tryk derefter på tænd/sluk-knappen 5-6 gange.

3. Skift mellem tryk på tænd/sluk-knap og rensning omkring knappen med en q-tip eller vatpind. Fortsæt, indtil knappen ikke sidder fast mere.

4. Brug et stykke papir til at fjerne snavs, der sidder fast i revnen ved tænd/sluk-knappen.

### **2.4.7 Ustabil tone (TTE/P)**

Prøv en tilstand med en lavere følsomhed. (Se 2.2.3 Indstilling af tilstand)

### **2.4.8 Ustabil lydstyrke (TTE/P)**

Prøv en tilstand, der ikke er en lydstyrketilstand. (Se 2.2.3 Indstilling af tilstand)

### **2.4.9 Enheden forårsager interferens til radio eller TV**

1. Drej, eller flyt modtagerantennen.

2. Øg afstanden mellem udstyret og modtageren.

3. Slut udstyret til en stikkontakt på et andet kredsløb end det, som modtageren er tilsluttet.

4. Kontakt forhandleren eller en erfaren radio/tv-tekniker for at få hjælp.

## **2.5 Service**

### **2.5.1 Service og assistance**

Elektrolarynx indeholder ingen dele, der kan serviceres, ud over dem, der kan fjernes af patienten. Servicedele omfatter batterier, lyd hoved, afstandsstykke til lyd hovedet, skumring, oral adapter og orale rør. Kontakt nærmeste lokal repræsentant for at få hjælp til at bruge eller vedligeholde din Elektrolarynx og til at bestille reservedele.

## 2.6 Bortskaffelse

Følg altid medicinsk praksis og nationale krav vedrørende biologisk farligt affald ved bortskaffelse af en brugt medicinsk enhed.

## 2.7 Indberetning

Bemærk, at enhver alvorlig hændelse, der er opstået i forbindelse med enheden, skal indberettes til producenten og den nationale myndighed i det land, hvor brugeren og/eller patienten opholder sig.

# 3. Tekniske specifikationer

Beskrivelse	Specifikation
Driftstemperatur (for at opretholde optimal batterilevetid)	+5 °C til +25 °C +41 °F til +77 °F
Temperatur ved opbevaring og transport (for at opretholde optimal batterilevetid)	-20 °C til +25 °C -4 °F til +77 °F
Fugtighed under drift (for at opretholde optimal batterilevetid)	15 % til 93 % relativ luftfugtighed 700 hPa til 1.060 hPa
Luftfugtighed ved opbevaring	0 % til 45 % relativ luftfugtighed
Forventet levetid	1-5 år
Anvendt del	Anvendt del af type BF (hele enheden)
Driftstilstand	30 minutters aktivering i løbet af en periode på 24 timer
Strømkilde	Indbygget strømforsyning
Mål	Provox SolaTone Plus 118 mm (4,6 tommer); Provox TruTone Emote 113 mm (4,5 tommer); Provox TruTone Plus 113 mm (4,5 tommer)
Vægt	Provox SolaTone Plus 130 g (0,29 pund); Provox TruTone Emote 130 g (0,29 pund); Provox TruTone Plus 131 g (0,29 pund)
Specifikationer ved opladning	5 V, 750 mA minimum (eller 0,75 A minimum)

## 4. Overensstemmelse

Enheden er testet og overholder IEC 60601-1-2 med testniveau, der er godkendt til hjemmemiljø.

# 1. Beskrivelse

## 1.1 Tiltent bruk

En talevibrator er et batteridrevet, kunstig strupehode som benyttes eksternt og skal brukes når det ikke er mulig å bruke strupehodet til å lage lyd. Når den holdes mot huden i området ved strupehodet, eller et rør settes inn i munnhulen (med en oral adapter), genererer enheten mekaniske vibrasjoner som gjenlyder i munn- og nesehulen og kan moduleres av tungen og leppene på en normal måte, som igjen fører til at det oppstår tale.

## 1.2 Kontraindikasjoner

Enheden skal bare brukes i samsvar med bruksanvisningen. Brukere uten fysiske, kognitive eller mentale evner som kreves for å betjene enheten, bør ikke bruke enheten selv, og bør bare bruke den hvis de er under tilstrekkelig tilsyn av en lege eller pleier med opplæring. Enheden skal ikke påføres direkte over skjørt halsvev med svake blodkar. Dette kan forårsake vevsskader eller blødninger. Pasienter med denne tilstanden bør bare bruke enheten når de har fått gode instruksjoner fra legen om hvordan de skal bruke enheten og hvor den skal brukes på en trygg måte.

## 1.3 Beskrivelse av enheten

En talevibrator er et batteridrevet kunstig strupehode som benyttes eksternt på uskadet hud. Det skal brukes når et strupehode mangler og det ikke er mulig å bruke strupehodet til å lage lyd.

## 1.4 Advarsler

- Unnlattelse av å følge sikkerhetsinstruksjonene kan føre til personskade eller skade på enheten. Les all sikkerhetsinformasjon nedenfor før du bruker enheten.
- Feil bruk av enheten eller å ikke følge instruksjonene i denne bruksanvisningen kan forårsake personskade og/eller skade på enheten.
- Ikke bruk enheten mellom personer, dette kan forårsake krysskontaminering. Enheten er kun til bruk på én pasient.
- Ikke slå på, bruk eller lad enheten hvis den har blitt eksponert for vann eller har kommet under vann eller andre væsker, fordi dette kan forårsake personskade og/eller skade på enheten.
- Kontroller laderen for skader før lading. En skadet eller ikke-fungerende lader skal ikke lenger brukes, fordi dette kan forårsake brann, personskade eller skade på enheten.
- Bare godkjente ladere skal brukes, fordi bruk av ikke-godkjente ladere kan forårsake brann, personskade eller skade på enheten.
- Ikke prøv å lade ikke-oppladbare batterier, fordi dette kan føre til personskade eller skade på enheten.
- Ikke bytt ut oppladbare batterier med ikke-oppladbare batterier, fordi dette kan føre til personskade eller skade på enheten.
- Batteriene må ikke komme fysisk til skade, fordi dette kan føre til personskade eller skade på enheten.
- Batteriene skal ikke oppbevares i lommer, vesker, bokser eller skuffer der de kan kortslutte hverandre eller bli kortsluttet av ledende materialer som mynter eller nøkler, fordi dette kan føre til personskade eller skade på enheten.
- Ikke bruk batterier som lekker, fordi dette kan føre til personskade eller skade på enheten.
- Ikke utsett litiumbatteriet for temperaturer over eller under temperaturområdene som er angitt på etiketten, fordi dette kan føre til personskade eller skade på enheten.

- Vær forsiktig når du bytter batterier. Feil innsetting av batteriene kan føre til farlige situasjoner, for eksempel ekstrem varme eller brann, som kan føre til personskade eller skade på enheten eller annen eiendom.
- Enheten inneholder en magnet som genererer magnetiske og elektromagnetiske felt som kan forstyrre pacemakere eller andre implanterbare enheter, samt enkelte prosedyrer eller behandlinger. Hold en minimumsavstand på 6 tommer / 15 cm mellom enheten og eventuelle medisinske implanterte enheter. Rådfør deg med lege i forkant av medisinske prosedyrer og behandlinger. Hvis det er mistanke om interferens mellom enheten og medisinske implanterte enheter, må du avslutte bruken og rådføre deg med lege.
- Deler av enheten eller tilbehør skal ikke settes inn i stomaet, fordi dette kan føre til personskade.
- Enheten må ikke modifiseres, fordi dette kan føre til personskade eller skade på enheten.
- Enheten inneholder små deler som kan løsne og utgjøre en kvelningsfare. Oppbevares utilgjengelig for barn.

## 1.5 Forholdsregler

- Vær forsiktig så du ikke skader batteriledningene når du åpner/lukker batteridekslet.
- Unnlattelse av å følge vedlikeholdsinstruksjonene kan føre til personskade og/eller skade på enheten.
- Bruk aldri en ødelagt, modifisert eller endret enhet. Lad heller aldri en ødelagt, modifisert eller endret enhet, fordi dette kan føre til personskade og/eller skade på enheten.
- Enheter og batterier kan bli varme (opptil 45 °C / 113 °F) under lading. La enheten avkjøles før bruk.
- Enheten kan bli varm under bruk. Ta nødvendige forholdsregler når du plasserer den på halsen og gjør den klar for bruk.
- Ved utstrakt bruk kan vibrasjonene gi ubehag for enkelte følsomme brukere.
- Dersom det oppstår elektromagnetisk feltinterferens fra andre enheter, kan dette føre til at denne enheten ikke fungerer som den skal, eller at den slutter å fungere.
- Pass på å ikke tygge/bite på den orale tuben, fordi dette kan forårsake tannskader.
- Pass på å ikke miste enheten i bakken, fordi dette kan forårsake skade på enheten.
- Enheten kan føre til at personer med skulderdysfunksjon kan synes det blir anstrengende og slitsomt for skulderen/armen.

## 2. Bruksanvisning

**Definisjoner:** **TTE** = *Provox TruTone Emote*, **TTP** = *Provox TruTone Plus*, **TTE/P** = *begge Provox TruTone-produkter*; **STP** = *Provox SolaTone Plus*

### 2.1 Innhold

#### Boksens innhold

- Talevibrator
- Bruksanvisning
- Oral adapter
- Oral tube-pakke
- Mikro USB-kabel
- Ekstra kraftig lydhode (TTE/P)
- 2 AA NiMH oppladbare batterier (STP)
- Festesnor

## Spesifikasjon av deler (illustrasjon 1)

- A. Lydhode (x 2 TTE/P) (x 1 STP) (inkludert lydknapp og skumring)
- B. Avstandsstykke for lydhode (TTE/P)
- C. Av/på-knapp (Emotion™-knapp i TTE/P)
- D. Volumknapp
- E. Enhet
- F. Batteri
- G. Batterideksel
- H. Batterikontakt (TTE/P)
- I. Oral tube (2 + 2)
- J. Oral adapter
- K. Justeringsknapp for tone (tonehøyde)
- L. LED-lampe
- M. MODUS-knapp (TTE/P)
- U. USB-støvdels (TTE/P)
- V. USB-ladekontakt

## 2.2 Bruksanvisning

### 2.2.1 Volumnivå og av/på-knapp

- Når volumknappen (D) er helt nede, er enheten slått av.
- Slå på apparatet, og juster volumet ved å føre volumknappen oppover (D).

### 2.2.2 Justere tone

- Juster tonen ved å vri på justeringsknappen for tone (K).
- Hold av/på-knappen (C) inne mens du foretar den første justeringen, slik at du kan høre forskjellene.
- Bruk av toneknappen (K) uten å holde inne av/på-knappen (C) endrer fortsatt tonen, men uten at du hører den.

### 2.2.3 Stille inn modus (TTE/P)

Hvis du vil endre modus, må du først ta ut batteridekslet og deretter trykke på både modusknappen (M) og av/på-knappen (C). Modusen endres umiddelbart, men hvis du fortsetter å holde inne av/på-knappen, vil enheten pipe for å angi ny modusinnstilling. Antall pip og pipetone angir hvilken modus den er i.

Provox TruTone Emote (TTE) har seks modier 1–6, og Provox TruTone Plus (TTP) har to modier 1–2.

**Modus 1–4:** Fire forhåndsinnstilte intervaller.

Modus 1 – Nesten monotont	1 pip
Modus 2 – Lave tonevariasjoner – 1/2-oktavområde	2 pipelyder
Modus 3 – middels tonale variasjoner	3 pip
Modus 4 – høye tonale variasjoner – 2 oktavområder	4 pip

**Modus 5–6 (TTE):** Volummodus der du kan kontrollere volumet med av/på-knappen (C) i stedet for tonen (K). Dette er for folk som ikke bruker tonekontrollen, og det tillater volumkontroll uten å bevege knotten. Et veldig lett trykk lar deg snakke med «hviskestemme», mens du får fullt volum hvis du trykker hardt. Volumkontrollknappen begrenser fortsatt maksvolumet. Når du bytter til disse modusene, oppstår det en «whoop»-lyd (med økende tone), og ikke en jevn pipetone.

Modus 5 – lav følsomhet – fullt volum krever større trykk.	2 «whoop-lyder»
Modus 6 – høy følsomhet – fullt volum krever mindre trykk.	3 «whoop-lyder»

### 2.2.4 Velge lydhode

Hvis vevet i halsen er hardt, eller i miljøer med mye støy. Det grå lydhodet kan brukes fordi det gir en skarpere lyd. (Se 2.3.2 Skifte ut lydhodet)

## 2.2.5 Bruke avstandsstykke for lydhode (B) – (TTE/P)

Hvis du normalt bruker en høyere tone og foretrekker tonekvaliteten uten et avstandsstykke for lydhode, kan avstandsstykket fjernes. (Se 2.3.3 Legge til / fjerne avstandsstykke for lydhode)

## 2.2.6 Lade batteriet

- Ta av USB-støvdekslet (U) på toppen. (TTE/P)
- Sett inn mikro-USB i USB-ladekontakten (V) med et godkjent støpsel for vegglading.
- Kontroller at LED-lampen (L) lyser.
- Koble fra enheten når ladingen er fullført, for å spare strøm. Bruk enheten til volumet begynner å bli svakere. Det skjer når 80 % av batteriet er tomt.

## LED-lampe (L)

- Lavt batterinivå (TTE/P) – Lyset slås på når du trykker på av/på-knappen for å signalisere at enheten snart må lades.
- Lader – lyser kontinuerlig
- Fulladet – blinker

## 2.2.7 Plassering av talevibrator ved halsen

- Plasser lydhodet (A) mot halsen, og aktiver av/på-knappen (C). Enheten eller tilbehør skal ikke settes inn i stomaet.
- Snakk som om lyden føres inn i munnen din. Ikke tving luften ut.
- Sørg for en lufttett forsegling mellom lydhodet og nakken.
- Prøv forskjellige posisjoner til du får den beste lyden. Merk at selv en endring i posisjon på 3 mm / 1/8 tomme kan ha stor innvirkning på lydvolument.
- Hvis du ikke klarer å få en god lydoverføring via halsen, eller hvis du ikke klarer å plassere enheten mot halsen av medisinske årsaker, kan du prøve å plassere den mot kinnet eller bruke den orale adapteren (se Installere/bruke oral adapter/tube (ekstrautstyr) 2.3.4).
- Justering av basistonen opp eller ned kan gi en bedre stemme.
- Tonene i det midtre området er lettere å høre for folk flest.

## 2.2.8 Oral adapter og orale tuber (ekstrautstyr)

Hvis en plassering mot halsen ikke fungerer bra for deg på grunn av øm hals eller sterk summing, kan du bruke den orale adapteren. (Installere/bruke oral adapter/tube 2.3.4)

## 2.2.9 Retningslinjer for demonstrasjonsbruk

### Advarsel!

Den orale adapteren, den orale tuben og lydhodet er kun til bruk på én pasient og skal ikke gjenbrukes mellom pasienter.

### Forsiktig!

Vedlikehold enheten etter hver pasient og demonstrasjonsbruk i henhold til vedlikeholdsinstruksjonene.

- Demonstrasjonsbruk benyttes for å bestemme om enheten er egnet for pasienten.
- Brukerne skal vaske og desinfisere hendene med isopropylalkohol (IPA) eller annet egnet desinfeksjonsmiddel. Alternativt kan hansker benyttes.
- Lydhodet (A) (inkludert lydknappen og skumringen) skal skiftes ut og kastes mellom hver pasient (2.3.2 Skifte ut lydhodet).
- Enheten skal tørkes av før og etter hver pasient i henhold til 2.3.1 Vedlikehold av enheten.



## 2.3 Vedlikehold og bytte av deler

### 2.3.1 Vedlikehold av enheten

- Vedlikeholdshandlinger er brukerens ansvar. Vedlikehold bør utføres etter hver bruk.
- Tørk av enheten med en ren, tørr klut, eller bruk om nødvendig en lett fuktet klut (ikke dryppende våt). Bruk mildt såpevann eller vann med 50–75 % isopropylalkohol.
- Vær forsiktig så ikke fukt trenger inn i enheten.
- Ikke bruk elektriske rengjøringsmidler eller sprayrensere.

### 2.3.2 Skifte ut lydhodet (illustrasjon 5)

Kontakt din lokale representant for utskifting av lydhodet.

1. Tørk av enheten i henhold til 2.3.1. Vedlikehold. Sørg for å bruke et lett trykk og tørk av av/på-knappen med en sirkulær eller vridende bevegelse. Når du har tørket av enheten, tørker du av lydhodehetten. Vær forsiktig så du ikke bruker for mye kraft slik at den øverste lydknappen løsner.
2. Fjern lydhodet ved å skru det av.
3. Sjekk at lydhodets avstandsstykke (B) fremdeles er montert. Det må skiftes ut hvis det er ødelagt eller mangler, før du setter inn det nye lydhodet (A) (TTE/P) (Se 2.3.3 Legge til / fjerne avstandsstykke for lydhode).
4. Sett inn et nytt lydhode (A).

**Forholdsregel:** Silikonmembranen under lydhodet må ikke fjernes. Silikonmembranen skal holdes i sporet på spolen/aktuatorstammen. (illustrasjon 3)

**Forholdsregel:** Ikke vri spolen/aktuatoren. Ledningene skal vikles jevnt rundt spolen/aktuatoren. (illustrasjon 3)

### 2.3.3 Legge til / fjerne avstandsstykke for lydhode (illustrasjon 2)

1. Skru av lydhodet.
2. Legg til / fjern avstandsstykket.
3. Skru på plass igjen lydhodet.
4. Test enheten, og lytt til de ulike tonekvalitetene. Hvis du foretrekker tonekvalitetene uten avstandsstykket, må du sørge for å oppbevare avstandsstykket på et trygt sted, for eksempel i esken enheten ble levert i.

### 2.3.4 Installere/bruke oral adapter/tube (illustrasjon 3)

1. Sett inn oral tube (I) i toppen av den orale adapteren (J).

**Forholdsregel:** Ikke sett inn oral tube forbi stoppunktet. Pass på at tuben ikke går inn i hetteområdet.

2. Plasser den orale adapteren over lydhodet (A).

**Forholdsregel:** Ikke vri den på.

3. Plasser den orale tuben i munnviken.
4. Aktiver talevibratoren. Snakk rundt den orale tuben.

### 2.3.5 Bytte batteriet

#### STP

To 1,5 V nikkelmetallhydrid (NiMH) oppladbare AA-batterier.

- Monter batteriet (F) ved å følge pilene på innsiden av STP (illustrasjon 1)

#### TTE/P:

Kun godkjente Li-ion-batterier skal brukes. Kontakt distributøren for mer informasjon.

- Installer batteriet (F) som vist (illustrasjon 1). Det passer bare én vei. Justeringsfliken på batterikontakten (H) peker opp med den røde ledningen til høyre. (illustrasjon 1)

## 2.4 Feilsøkningsveiledning

### 2.4.1 Forståeligheten er ikke tilfredsstillende ved telefonbruk

1. Plasser telefonmikrofonen oppe ved nesen, ikke under munnen. Da kommer mikrofonen lenger unna lyder fra stomaen og talevibratoren.
2. Reduser volumet på talevibratoren, slik at volumnivået er så stille som mulig, samtidig som du genererer en tone.

### 2.4.2 Enheten er «død», «ødelagt» eller «har sluttet å virke»

1. Pass på at volumknappen (D) ikke er skrudd helt ned, fordi det vil slå av apparatet.
2. Vri volumknappen (D) helt ned til den slås av.
3. Trykk lett på av/på-knappen (C), og øk trykket. Hvis enheten aktiveres og deaktiveres, må den sendes inn for å skiftes ut. (Se 2.5.1 Service og assistanse)
4. Hvis LED-lampen slås på hver gang du trykker på av/på-knappen (C), har enheten lite batteri og må lades. (TTE/P)
5. Koble en fungerende mikro-USB-kabel til enheten. Hvis enheten slås på og LED-lampen blinker, er enhetens batteri frakoblet. Ta ut batteridekslet, og trykk på batterikabelkontakten (svart plast med både svarte og røde ledninger) som ligger lenger inn i kabinettet.

### 2.4.3 Ladelampen (L) slår seg ikke på under lading

1. Sjekk om strømuttaket virker.
2. Kontroller at mikro-USB-kabelen er riktig tilkoblet strømforsyningen og enheten.
3. Prøv en annen mikro-USB-kabel.
4. Prøv en annen strømforsyning (USB-strømuttak).
5. Test laderen og kabelen på en mobiltelefon eller en annen enhet.

#### STP

6. Kontroller at batteriet (eller batteriene) kan lades. Enheten vil ikke lade batterier som ikke er oppladbare.
7. Kontroller at batteriene er satt riktig inn. Kontroller at batteriene har riktig batteriretning, at batteriets + samsvarer med enhetens +.

#### TTE/P:

8. Koble en fungerende mikro-USB-kabel til enheten, og aktiver av/på-knappen (C). Hvis enheten slås på og LED-lyset blinker, er enhetens batteri frakoblet. Ta ut batteridekslet (G), og trykk på batterikontakten (H) i kabinettet.

### 2.4.4 Enheten «summer for mye», «høres rar ut», «er dempet» eller «er ikke tydelig»

1. Pass på at lydhodet (A) har god kontakt med huden på halsen.
2. Prøv en annen plassering på halsen. (Se 2.2.7 Plassering av talevibrator ved halsen)
3. Reduser volumet (D).
4. Juster tonen (K).
5. Bruk den orale adapteren (se Installere/bruke oral adapter/tube 2.3.4).
6. Kontroller hetten. Hvis lydknappen virker løs eller har beveget seg litt, eller hvis skumringen virker skadet, kan det hende at enheten trenger en ny skumring.

7. Fjern lydhodet (A) og se inni.

• Ser du et lite gummistykke som er limt på plass i midten av lydhodet (A)? Hvis du ikke ser dette, trenger enheten en ny lydknapp. (Se 2.5.1 Service og assistanse)

Service og assistanse)

• Sørg for at membranen er festet til spolestolpen. Sørg for at spolen spretter fritt når den berøres, og at den ikke kjønes ru ut (illustrasjon 4)

#### **TTE/P:**

1. Prøv det ekstra kraftige lydhodet (2.3.2 Skifte ut lydhodet) (illustrasjon 5)

### **2.4.5 «Lydhodet (A) gikk i stykker» eller lydknappen ble dyttet ut av lydhodehetten**

1. Sjekk om skumringen er skadet.

2. Hvis den ikke er skadet, kan den originale skumringen brukes på nytt og monteres sammen igjen.

3. Hvis den er skadet, må den skiftes ut.

#### **TTE/P:**

Knappesensoren kan være for følsom. Prøv en annen modus, f.eks. en lavere modus.

### **2.4.6 Knappen «kleber»**

1. Les de generelle rengjøringsrådene (2.3.1 Vedlikehold av enheten).

2. Påfør en liten mengde anbefalt alkohol på en bomullspinne (se 2.3.1 Vedlikehold av enheten) for å vaske området rundt av/på-knappen 5–6 ganger, og trykk deretter på av/på-knappen 5–6 ganger.

3. Du kan også trykke på av/på-knappen og vaske rundt knappen med en bomullspinne. Fortsett til knappen ikke lenger kleber.

4. Bruk et tykkere papirark for å fjerne rusk som sitter fast i sprekken på av/på-knappen.

### **2.4.7 Ustabil tone (TTE/P)**

Prøv en modus med lavere følsomhet. (Se 2.2.3 Stille inn modusen)

### **2.4.8 Ustabilt volum (TTE/P)**

Prøv en modus som ikke er en volummodus. (Se 2.2.3 Stille inn modusen)

### **2.4.9 Enhet forårsaker interferens i radio- eller TV-signaler**

1. Endre retning på eller flytt mottakerantennen.

2. Øk avstanden mellom utstyret og mottakeren.

3. Koble utstyret til en stikkontakt i en annen krets enn den som mottakeren er koblet til.

4. Ta kontakt med forhandleren eller en erfaren radio-/TV-tekniker for å få hjelp.

## **2.5 Service**

### **2.5.1 Service og assistanse**

Talevibratoren inneholder ikke andre deler som kan repareres, enn de som kan fjernes av pasienten. Servicedeler inkluderer batterier, lydhode, avstandsstykke for lydhode, skumring, oral adapter og oral tube. Kontakt din lokale representant for å få hjelp til å bruke eller vedlikeholde talevibratoren og for å bestille tilgjengelige deler.

## **2.6 Kassering**

Følg alltid medisinsk praksis og nasjonale krav angående biologiske farer når brukt medisinsk utstyr skal avhendes.

## 2.7 Rapportering

Vær oppmerksom på at enhver alvorlig hendelse som har oppstått i forbindelse med enheten, skal rapporteres til produsenten og nasjonale myndigheter i landet der brukeren og/eller pasienten bor.

## 3. Tekniske spesifikasjoner

Beskrivelse	Spesifikasjon
Temperatur ved drift (for å opprettholde en optimal batterilevetid)	+5 °C til +25 °C +41 °F til +77 °F
Temperatur ved oppbevaring og transport (for å opprettholde en optimal batterilevetid)	-20 °C til +25 °C -4 °F til +77 °F
Fuktighet ved drift (for å opprettholde en optimal batterilevetid)	15 % til 93 % relativ fuktighet 700 hPa til 1060 hPa
Oppbevaringsfuktighet	0 % til 45 % relativ fuktighet
Forventet levetid	1–5 år
Anvendt del	Anvendt del type BF (hele enheten)
Driftsmodus	30 minutters aktivering i løpet av en periode på 24 timer
Strømkilde	Internt drevet
Mål	Provox SolaTone Plus 118 mm (4,6 tommer); Provox TruTone Emote 113 mm (4,5 tommer); Provox TruTone Plus 113 mm (4,5 tommer).
Vekt	Provox SolaTone Plus 130 g (0,29 pund); Provox TruTone Emote 130 g (0,29 pund); Provox TruTone Plus 131 g (0,29 pund)
Laderspesifikasjoner	5 V, 750 mA minimum (eller 0,75 A minimum)

## 4. Samsvar

Enheden er testet og samsvarer med IEC 60601-1-2 med testnivå vedtatt for hjemmemiljø.

# 1. Tuotetiedot

## 1.1 Käyttötarkoitus

Puhevibraattori on paristokäyttöinen keinotekoinen kurkunpää, joka asetetaan ulkoisesti ja on tarkoitettu käytettäväksi äänen tuottamiseen, kun sitä ei voida tehdä kurkunpäällä. Kun puhevibraattoria pidetään ihoa vasten kurkunpään alueella tai kun sen putki asetetaan suuonteloon (suusovittimen kanssa), laite tuottaa mekaanista ääntä, joka resonoi suu- ja nenäonteloissa ja jota kieli ja huulet voivat muokata normaaliin tapaan, mikä mahdollistaa puheen tuottamisen.

## 1.2 Vasta-aiheet

Laitetta saa käyttää vain käyttöohjeiden mukaisesti. Käyttäjät, joilla ei ole tarvittavaa fyysistä, kognitiivista tai henkistä toimintakykyä laitteen käyttöön itse, eivät saa käyttää laitetta itsenäisesti, ja he saavat käyttää sitä ainoastaan ollessaan lääkärin tai koulutetun hoitajan asianmukaisessa valvonnassa. Laitetta ei saa asettaa suoraan hauraan kaulakudoksen päälle, jossa on heikkoja verisuonia. Tämä voi aiheuttaa kudosvaurioita tai verenvuotoa. Potilaiden, joilla on tämä tila, tulee käyttää laitetta vain, jos hänen lääkärinsä on nimenomaisesti opastanut, miten laitetta käytetään ja mihin kohtaan se voidaan turvallisesti asettaa.

## 1.3 Laitteen kuvaus

Puhevibraattori on paristokäyttöinen keinotekoinen kurkunpää, joka asetetaan ulkoisesti vahingoittumattomalle iholle ja on tarkoitettu käytettäväksi äänen tuottamiseen, kun sitä ei voida tehdä kurkunpäällä.

## 1.4 Varoitukset

- Turvallisuusohjeiden noudattamatta jättäminen voi aiheuttaa henkilövahinkoja tai vahingoittaa laitetta. Lue kaikki alla olevat turvallisuustiedot ennen laitteen käyttöä.
- Laitteen virheellinen käyttö tai tämän käyttöohjeen noudattamatta jättäminen voi aiheuttaa henkilövahinkoja ja/tai vahingoittaa laitetta.
- Älä käytä laitetta useammalla kuin yhdellä henkilöllä, sillä tämä voi aiheuttaa ristikontaminaatiota. Laite on tarkoitettu vain potilaskohtaiseen käyttöön.
- Älä kytke, käytä tai lataa laitetta, jos se on altistunut tai pudonnut veteen tai muihin nesteisiin, sillä tämä voi aiheuttaa henkilövahinkoja ja/tai vahingoittaa laitetta.
- Tarkista laturi vaurioiden varalta ennen latausta. Vaurioitunutta tai toimimatonta laturia ei saa enää käyttää, koska se voi aiheuttaa tulipalon, henkilövahinkoja tai laitteen vahingoittumisen.
- Käytä vain hyväksytyjä latureita, sillä muiden kuin hyväksytyjen latureiden käyttö voi aiheuttaa tulipalon, henkilövahinkoja tai laitteen vahingoittumisen.
- Älä yritä ladata ei-ladattavia paristoja, sillä tämä voi aiheuttaa henkilövahinkoja tai vahingoittaa laitetta.
- Älä vaihda ladattavia paristoja ei-ladattaviin paristoihin, sillä tämä voi aiheuttaa henkilövahinkoja tai vahingoittaa laitetta.
- Älä vahingoita paristoja fyysisesti, sillä tämä voi aiheuttaa henkilövahinkoja tai vahingoittaa laitetta.
- Älä säilytä paristoja taskussa, lompakossa, laatikossa, kotelossa tai vastaavassa paikassa, jossa ne voivat mennä oikosulkuun keskenään tai muiden sähköä johtavien materiaalien, kuten kolikoiden tai avainten, kanssa, sillä tämä voi aiheuttaa henkilövahinkoja tai vahingoittaa laitetta.
- Älä käytä vuotavaa paristoa, sillä tämä voi aiheuttaa henkilövahinkoja tai vahingoittaa laitetta.

- Älä altista litiumparistoa etiketissä mainittujen lämpötila-alueiden ulkopuolisille lämpötiloille, sillä tämä voi aiheuttaa henkilövahinkoja tai vahingoittaa laitetta.
- Ole varovainen, kun vaihdat paristoja. Pariston virheellinen asennus voi aiheuttaa vaaratilanteen, kuten äärimmäisen kuumuuden tai tulipalon, sillä se voi aiheuttaa henkilövahinkoja tai vahingoittaa laitetta tai muuta omaisuutta.
- Laite sisältää magneetin, joka muodostaa magneettisia ja sähkömagneettisia kenttiä, jotka voivat aiheuttaa haittaa tahdistimille tai muille implantoitaville laitteille sekä tietyille toimenpiteille tai hoidoille. Varmista, että laitteen ja kaikkien implantoitujen laitteiden välillä on aina vähintään 15 cm:n (6 tuuman) etäisyys. Käännä lääkärin puoleen ennen lääketieteellisiin toimenpiteisiin tai hoitoihin osallistumista. Jos laitteen ja implantoidun lääkinnällisen laitteen välillä epäillään olevan häiriöitä, lopeta käyttö ja käännä lääkärin puoleen.
- Älä aseta mitään laitteen tai lisävarusteiden osaa trakeestoomaan, sillä se voi aiheuttaa henkilövahinkoja.
- Älä muuta laitetta, sillä tämä voi aiheuttaa henkilövahinkoja tai vaurioittaa laitetta.
- Laite sisältää pieniä osia, jotka voivat irrota ja aiheuttaa tukehtumisvaaran. Säilytä laitetta poissa pienten lasten ulottuvilta.

## 1.5 Varotoimet

- Varo vahingoittamasta paristojohtoja, kun avaat/suljet paristokotelon suojusta.
- Huolto-ohjeiden noudattamatta jättäminen voi aiheuttaa henkilövahinkoja tai vahingoittaa laitetta.
- Älä koskaan käytä rikkoutunutta, muutettua tai muokattua laitetta tai lataa rikkoutunutta, muutettua tai muokattua laitetta, sillä tämä voi aiheuttaa henkilövahinkoja ja/tai vahingoittaa laitetta.
- Laite ja paristot voivat kuumentua (enintään 45 °C/113 °F:een) lataamisen aikana. Anna laitteen jäähtyä ennen käyttöä.
- Laite voi lämmetä käytön aikana. Noudata tarvittavia varotoimia, kun asetat laitteen kaulaa vasten.
- Pitkään jatkuvassa käytössä värinä voi aiheuttaa epämukavuutta joillekin herkille käyttäjille.
- Laite voi vioittua tai lakata toimimasta muiden laitteiden aiheuttamien sähkömagneettisten kenttähäiriöiden vuoksi.
- Varo puremasta suuputkea, sillä tämä voi aiheuttaa hammasvaurioita.
- Varo pudottamasta laitetta, sillä se voi vahingoittaa laitetta.
- Laite voi rasittaa tai väsyttää olkapään/käsivarren aluetta henkilöillä, joilla on olkapään toimintahäiriö.

## 2. Käyttöohjeet

**Määritelmät:** TTE = Provox TruTone Emote, TTP = Provox TruTone Plus, TTE/P = molemmat Provox TruTone -tuotteet, STP = Provox SolaTone Plus

### 2.1 Sisältö

#### Laatikon sisältö

- Puhevibraattori
- Käyttöohjeet
- Suusovitin
- Suuputkien lajitelmapakkaus
- Micro USB -kaapeli
- Erittäin terävä äänipää (TTE/P)
- 2 ladattavaa AA NiMH -paristoa (STP)
- Kaulanauha

## Osien erittely (kuva 1)

- A. Äänipää (x2 TTE/P) (x1 STP) (sisältää äänipainikkeen ja vaahtomuovirenkaan)
- B. Äänipään välikappale (TTE/P)
- C. Virtapainike (Emotion™-painike TTE/P-tuotteessa)
- D. Äänenvoimakkuuden säädin
- E. Runko
- F. Paristo
- G. Paristokotelon suojuus
- H. Pariston liitin (TTE/P)
- I. Suuputki (2 + 2)
- J. Suusovitin
- K. Äänensävyyn (korkeuden) säätönappi
- L. LED-merkkivalo
- M. TILA-painike (TTE/P)
- U. USB-pölysuojus (TTE/P)
- V. USB-latausliitin

## 2.2 Käyttöohjeet

### 2.2.1 Äänenvoimakkuus ja teho

- Äänenvoimakkuuden säädin (D) on pois päältä ala-asennossa.
- Kytke laitteeseen virta ja säädä äänenvoimakkuutta kääntämällä äänenvoimakkuusnuppia ylöspäin (D).

### 2.2.2 Äänensävyyn säätäminen

- Säädä äänensävyä kääntämällä sävyn säätönuppia (K).
- Pidä virtapainike (C) painettuna pohjaan samalla, kun teet alkusäätöjä, jotta kuulet erot.
- Äänensävyynupin (K) käyttäminen virtapainiketta (C) painamatta muuttaa äänensävyä silti, mutta et kuule sitä.

### 2.2.3 Tilan asettaminen (TTE/P)

Voit vaihtaa tilaa irrottamalla ensin paristokotelon suojuksen ja painamalla sitten sekä tilapainiketta (M) että virtapainiketta (C). Tila vaihtuu välittömästi, mutta jos jatkat virtapainikkeen painamista, laite ilmaisee uuden tila-asetuksen äänimerkillä. Äänimerkkien määrä ja niiden korkeus ilmaisevat, missä tilassa laite on.

Provox TruTone Emote -laitteessa (TTE) on kuusi tilaa, 1–6, ja Provox TruTone Plus -laitteessa (TTP) on kaksi tilaa, 1–2.

**Tilat 1–4:** neljä esiasetettua vaihteluväliä.

Tila 1 – lähes monotoninen	1 äänimerkki
Tila 2 – vähäiset äänensävyyn vaihtelut, 1/2 oktaavin alue	2 äänimerkkiä
Tila 3 – keskitasoiset äänensävyyn vaihtelut	3 äänimerkkiä
Tila 4 – voimakkaat äänensävyyn vaihtelut, 2 oktaavin alue	4 äänimerkkiä

**Tilat nro 5–6 (TTE):** Äänenvoimakkuustila, jossa voit säätää virtapainikkeella (C) äänensävyyn (K) sijaan äänenvoimakkuutta. Tämä on tarkoitettu henkilöille, jotka eivät käytä äänensävyyn säätöä. Äänenvoimakkuutta voidaan säätää nuppia liikuttamatta. Hyvin kevyellä kosketuksella voit puhua ”kuiskaten”, kun taas luja painaminen saa aikaan ääntä täydellä voimakkuudella. Äänenvoimakkuuden säätönappi rajoittaa edelleen äänen maksimivoimakkuutta. Näihin tiloihin vaihtaminen antaa äänimerkinä ”wuup-äänien” (jossa äänensävy nousee) tasaisen äänimerkin sijasta.

Tila 5 – pieni herkkyys – täyteen äänenvoimakkuuteen tarvitaan kovempaa painamista.	2 ”wuup-ääntä”
Tila 6 – suuri herkkyys – täyteen äänenvoimakkuuteen tarvitaan vähäisempää painamista.	3 ”wuup-ääntä”

## 2.2.4 Äänipään valitseminen

Jos sinulla on kovaa kaulakudosta tai olet kovaäänisessä ympäristössä. Harmaata äänipäätä voidaan käyttää terävemmän äänen ansiosta. (Katso 2.3.2 Äänipään vaihtaminen)

## 2.2.5 Äänipään välikappaleen (B) käyttäminen – (TTE/P)

Jos käytät säännöllisesti korkeampaa äänensävyä ja pidät enemmän äänestä ilman äänipään välikappaletta, voit poistaa sen. (Katso 2.3.3 Äänipään välikappaleen lisääminen/poistaminen)

## 2.2.6 Pariston lataaminen

- Vedä USB-pölysuojus (U) ulos yläpäästä. (TTE/P)
- Aseta micro-USB USB-latausliitäntään (V) kiinnitettynä hyväksytyyn pistokkeeseen seinälatausta varten.
- Tarkista, että LED-merkkivalo (L) palaa.
- Energian säästämiseksi irrota laite, kun lataus on valmis. Käytä laitetta, kunnes äänenvoimakkuus alkaa heiketä, mikä tarkoittaa, että 80 % varauksesta on kulunut.

### LED-merkkivalo (L)

- Pariston varaus vähissä (TTE/P) – Valo syttyy, kun virtapainiketta painetaan sen merkiksi, että kohta on aika ladata paristo.
- Lataaminen käynnissä – kiinteä valo
- Lataus valmis – Vilkkuva valo

## 2.2.7 Puhevibraattorin asettaminen kaulalle

- Aseta äänipää (A) kaulaasi vasten ja aktivoi virtapainike (C). Älä työnnä mitään laitteen osaa tai lisävarusteita trakeestoomaan.
- Puhu, kun ääni välittyy suuhusi. Älä pakota ilmaa ulos.
- Varmista, että äänipään ja kaulan välinen liitäntä on ilmatiivis.
- Kokeile eri asentoja, kunnes saat parhaan äänen. Huomaa, että jopa vain 3 mm/1/8 tuuman asennon muutoksella voi olla suuri vaikutus äänenvoimakkuuteen.
- Jos et saa ääntä kuulumaan kaulan läpi tai et pysty asettamaan laitetta kaulaa vasten lääketieteellisistä syistä, kokeile asettaa laite poskelle tai käytä suusovitinta (Katso valinnaisen suusovittimen/suuputken asentaminen/käyttäminen 2.3.4).
- Perusäänensävyn säätäminen ylös- tai alaspäin saattaa parantaa äänen laatua.
- Useimpien ihmisten on helpompaa kuulla keskialueen äänensävyt.

## 2.2.8 Valinnainen suusovitintä ja suuputket

Jos laitteen asettaminen kaulalle ei sovi sinulle herkän kaulan tai liiallisen värinän vuoksi, voit käyttää suusovitinta. (Suusovittimen/suuputken asentaminen/käyttäminen 2.3.4)

## 2.2.9. Ohjeet esittelykäyttöä varten

### Varoitus!

Suusovitintä, suuputki ja äänipää on tarkoitettu vain yhden potilaan käyttöön, eikä niitä saa käyttää uudelleen eri potilailla.

### Varotoimi!

Huolla laite jokaisen potilaan ja esittelykäytön jälkeen huolto-ohjeiden mukaisesti.

- Esittelykäytön tarkoituksena on määrittää laitteen soveltuvuus potilaalle.
- Käyttäjän on puhdistettava ja desinfioidava kätensä isopropyylialkoholilla (isopropanolilla IPA) tai muulla sopivalla desinfiointiaineella tai käytettävä käsiaineita.



- Äänipää (A) (mukaan lukien äänipainike ja vaahtomuovirengas) on vaihdettava ja hävitettävä jokaisen potilaan jälkeen (2.3.2 Äänipään vaihtaminen).
- Laite on pyyhittävä pois ennen jokaista potilasta ja jokaisen potilaan jälkeen kohdan 2.3.1 Laitteen huolto mukaisesti.

## 2.3 Huolto ja osien vaihto

### 2.3.1 Laitteen huolto

- Huoltotoimenpiteet ovat käyttäjän vastuulla. Huolto tulee tehdä jokaisen käyttökerran jälkeen.
- Pyyhi laite puhtaalla, kuivalla liinalla tai tarvittaessa hieman kostealla liinalla (ei märällä). Käytä vettä, jossa on mietoa saippuaa tai isopropyylialkoholia 50–75 %.
- Varo kosteuden joutumista laitteen sisään.
- Älä käytä sähkö- tai suihkepuhdistimia.

### 2.3.2 Äänipään vaihtaminen (kuva 5)

Kun tarvitset äänipäiden vaihto-osia, ota yhteys paikalliseen edustajaan.

1. Pyyhi laite 2.3.1 kohdan mukaisesti. Huolto. Paina vain kevyesti ja pyyhi virtapainike pyöreän tai kiertävän liikkeen. Kun olet pyyhkinyt rungon, pyyhi äänipään suojus. Varo, ettet paina liikaa, sillä muuten yläosan äänipainike voi irrota paikaltaan.
2. Poista äänipää kiertämällä se irti.
3. Varmista, että äänipään välikappale (B) on edelleen asennettuna. Vaihda se, jos se on rikki tai puuttuu ennen uuden äänipään (A) asentamista (TTE/P) (katso 2.3.3 Äänipään välikappaleen lisääminen/poistaminen).
4. Asenna uusi äänipää (A).

**Varoitus:** Älä irrota silikonista äänikalvoa, joka on äänipään alla. Silikonisen äänikalvon pitäisi pysyä kelan/käyttölaitteen varren kolossa. **(Kuva 3)**

**Varoitus:** Älä taivuta kelaa/käyttölaitetta. Metallilankojen pitää kiertyä tasaisesti kelan/käyttölaitteen ympärille. **(Kuva 3)**

### 2.3.3 Äänipään välikappaleen lisääminen/poistaminen (kuva 2)

1. Kierrä äänipää irti.
2. Lisää/irrota välikappale.
3. Kierrä äänipää takaisin paikalleen.
4. Testaa laite kuuntelemalla äänensävyjen laatua. Jos pidät ilman välikappaletta kuuluvista äänensävyistä enemmän, muista säilyttää välikappaletta turvallisessa paikassa, kuten laitteesi toimituspakkauksessa.

### 2.3.4 Suusovittimen/suuputken asentaminen/käyttäminen (kuva 3)

1. Aseta suuputki (I) suusovittimen (J) yläosaan.

**Varoitus:** Älä työnnä suuputkea pysäyttimen yli. Varmista, ettei putki työnnönsuojuksen alueelle.

2. Aseta suusovitin äänipään (A) päälle.

**Varoitus:** Älä väännä sitä kiinni.

3. Aseta suuputki suusi sisään, suupieleen.
4. Käynnistä puhevibraattori. Puhu suuputken ympärillä.

## 2.3.5 Pariston vaihtaminen

### STP

Kaksi uudelleenladattavaa 1,5 V:n AA-nikkelimetallihydridi (NiMH) -paristoa.

- Asenna paristo (F) STP:n sisällä olevien nuolien mukaan (kuva 1).

### TTE/P:

Käytä vain hyväksytyjä litiumioniparistoja. Saat lisätietoja ottamalla yhteyden jälleenmyyjään.

- Asenna paristo (F) kuvassa 1 esitetyllä tavalla. Paristo sopii paikalleen vain oikein päin. Paristoliittimen (H) kohdistuskieleke osoittaa ylöspäin ja punainen johto oikealle. **(Kuva 1)**

## 2.4 Vianmääritysopas

### 2.4.1 Ymmärrettävyys liian heikkoa puhelimen

#### käytön aikana

1. Aseta puhelimen mikrofoni nenälle, ei suun alle. Näin mikrofoni on kaukana trakeestoomasta ja puhevibraattoriäänestä.
2. Vähennä puhevibraattorin äänenvoimakkuutta niin, että äänenvoimakkuus on mahdollisimman hiljainen, mutta luo silti ääntä.

### 2.4.2 Yksikkö "sammunut", "rikkoutunut" tai "lakannut toimimasta"

1. Varmista, että äänenvoimakkuusnuppia (D) ei ole käännetty kokonaan alas, mikä katkaisee laitteen virran.
2. Käännä äänenvoimakkuuden säädin (D) ala-asentoon, kokonaan pois päältä.
3. Paina virtapainiketta (C) kevyesti ja lisää painetta. Jos laite aktivoituu ja passivoituu prosessin aikana, laite on lähetettävä vaihtoon. (Katso 2.5.1 Huolto ja tuki)
4. Jos merkkivalo syttyy joka kerta, kun virtapainiketta (C) painetaan, pariston varaus on vähissä ja laite on ladattava. (TTE/P)
5. Kytke toimiva micro-USB-kaapeli laitteeseen. Jos laitteeseen kytkeytyy virta ja merkkivalo vilkkuu, laitteen paristo on irti. Irrota paristokotelon suojuksen ja paina paristokaapelin liitin (musta muoviosa, johon musta ja punainen johdin menevät) syvemmälle koteloon.

### 2.4.3 Latausvalo (L) ei syty latauksen aikana

1. Testaa pistorasia lampulla.
2. Varmista, että micro-USB-kaapeli on kytketty kunnolla virtalähteeseen ja laitteeseen.
3. Kokeile toista micro-USB-kaapelia.
4. Kokeile toista virtalähdettä (USB-pistorasiaa).
5. Testaa laturi ja kaapeli matkapuhelimessa tai muussa laitteessa.

### STP

6. Varmista, että paristo (tai paristot) on ladattavaa mallia  
Laite ei lataa paristoja, jotka eivät ole ladattavia.

7. Varmista, että paristot on asetettu oikein. Tarkista, että paristot ovat oikein päin: pariston +-napa menee laitteen +-kohtaan.

### TTE/P:

8. Kytke toimiva ja virtalähteeseen liitetty micro-USB-kaapeli ja paina virtapainiketta (C). Jos laite käynnistyy ja LED-valo vilkkuu, laitteen paristo on irti. Irrota paristokotelon suojuksen (G) ja paina akun liitin (H) syvemmälle koteloon.

#### 2.4.4 Yksikkö tuottaa liikaa ”surinaa”, ”kuulostaa oudolta”, ”on vaimea” tai ”epäselvä”

1. Varmista, että äänipää (A) on täysin kosketuksissa kaulan ihoon.
2. Kokeile toista paikkaa kaulalla. (Katso 2.2.7 Puhevibraattorin asettaminen kaulalle)
3. Vähennä äänenvoimakkuutta (D).
4. Säädä äänensävyä (K).
5. Käytä suusovitinta (katso Suusovittimen ja suuputken asentaminen/käyttäminen 2.3.4).
6. Tarkasta korkki. Jos äänipainike vaikuttaa löystyneeltä tai siirtyneeltä tai jos vaahtomuovirengas näyttää vaurioituneelta, laite saattaa tarvita uuden vaahtomuovirenkaan.
7. Irrota äänipää (A) ja katso sisään.
  - Onko äänipään (A) keskelle liimattuna pieni kumipala? Jos ei, laitteen äänipainike tulee vaihtaa. (Katso 2.5.1 Huolto ja tuki)
  - Varmista, että kalvo on kiinnitetty kelan varteen. Varmista, että kela joustaa vapaasti koskettaessasi, eikä tunnu likaiselta (kuva 4).

#### TTE/P:

1. Kokeile lisävarusteena saatavaa erittäin terävää äänipäätä (2.3.2 Äänipään vaihtaminen) (kuva 5)

#### 2.4.5 ”Äänipää (A) on irronnut” tai äänipainike on painettu ulos korkista

1. Tarkista, onko vaahtomuovirengas vaurioitunut.
2. Jos se ei ole vaurioitunut, alkuperäistä vaahtomuovirengasta voidaan käyttää uudelleen ja sen voi laittaa takaisin.
3. Jos se on vaurioitunut, se on vaihdettava.

#### TTE/P:

Painikeanturin herkkyys voi olla liian herkkä. Kokeile jotakin muuta tilaa, tavallisesti alhaisempaa tilaa.

#### 2.4.6 Painike ”takertelee”

1. Lue yleiset puhdistusohjeet (2.3.1 Laitteen huolto).
2. Puhdista virtapainikkeen ympäristö 5–6 kertaa pyyhkien vanupuikolla, jossa on pieni määrä suositeltua alkoholia (2.3.1 Laitteen huolto), ja paina sitten virtapainiketta 5–6 kertaa.
3. Paina vuorotellen virtapainiketta ja pyyhi painikkeen ympäriltä vanupuikolla. Jatka, kunnes se ei enää takertele.
4. Poista virtapainikkeen aukkaan juuttunut lika paksulla paperilla.

#### 2.4.7 Epävakaa äänensävy (TTE/P)

Kokeile pienemmän herkkyyden tilaa. (Katso 2.2.3 Tilan asettaminen)

#### 2.4.8 Epävakaa äänenvoimakkuus (TTE/P)

Kokeile jotakin tilaa, joka ei ole äänenvoimakkuustila. (Katso 2.2.3 Tilan asettaminen)

#### 2.4.9 Laite häiritsee radio- tai televisiovastaanottoa

1. Suuntaa vastaanottoantenni toiseen suuntaan tai sijoita se toiseen paikkaan.
2. Lisää laitteen ja vastaanottimen välistä etäisyyttä.
3. Liitä laite toiseen pistorasiaan kuin mihin vastaanotin on liitetty.
4. Kysy neuvoja jälleenmyyjältä tai kokoneelta radio-/televisioteknikolta.

## 2.5 Huolto

### 2.5.1 Huolto ja tuki

Puhevibraattori ei sisällä mitään muita huollettavissa olevia osia kuin ne, jotka potilas voi irrottaa. Vaihto-osiin kuuluvat akut, äänipää, äänipään välikappale, vaahtomuovirengas, suusovitin ja suuputket. Ota yhteys paikalliseen edustajaan, jotta saat apua puhevibraattorin käyttöön tai kunnossapitoon ja voit tilata saatavana olevia osia.

## 2.6 Hävittäminen

Noudata aina lääketieteellistä käytäntöä ja biovaarallisia aineita koskevia kansallisia vaatimuksia lääkinnällistä laitetta hävitettäessä.

## 2.7 Raportointi

Huomaa, että kaikista laitteeseen liittyvistä vakavista vaaratilanteista on ilmoitettava valmistajalle ja käyttäjän ja/tai potilaan asuinmaan kansalliselle viranomaiselle.

## 3. Tekniset tiedot

Kuvaus	Määritys
Käyttölämpötila (pariston optimaalisen käyttöiän ylläpitämiseksi)	+5...+25 °C +41...+77 °F
Säilytys- ja käyttölämpötila (pariston optimaalisen käyttöiän ylläpitämiseksi)	-20...+25 °C -4...+77 °F
Ympäristön kosteus käytön aikana (pariston optimaalisen käyttöiän ylläpitämiseksi)	Suhteellinen kosteus 15–93 %, 700–1060 hPa
Säilytystilan kosteus	Suhteellinen kosteus 0–45 %
Odotettu käyttöikä	1–5 vuotta
Potilaaseen koskeva osa	Tyyppin BF potilaaseen koskeva osa (koko laite)
Toimintatapa	30 minuuttia aktiivointia 24 tunnin aikana
Virtalähde	Sisäinen virtalähde
Mitat	Provox SolaTone Plus 118 mm (4,6 tuumaa); Provox TruTone emote 113 mm (4,5 tuumaa); Provox TruTone Plus 113 mm (4,5 tuumaa)
Paino	Provox SolaTone Plus 130 g (0,29 paunaa); Provox TruTone Emote 130 g (0,29 paunaa); Provox TruTone Plus 131 g (0,29 paunaa)
Latauksen tekniset tiedot	5 V, vähintään 750 mA (eli vähintään 0,75 A)

## 4. Vaatimustenmukaisuus

Laite on testattu IEC 60601-1-2 -standardin mukaan ja on sen mukainen, testitaso on hyväksytty kotiympäristölle.

# 1. Aprakstoša informācija

## 1.1. Paredzētais lietojums

Elektriskā balsene ir ar bateriju darbināma mākslīgā balsene, ko lieto ārēji un kas paredzēta izmantošanai tad, ja balsene nerada skaņu. Turot pie ādas balsenes rajonā vai mutes dobumā ievietojot caurulīti (izmantojot mutes adapteru), ierīce rada mehāniskas svārstības, kas rezonē mutes un deguna dobumā un ko parastajā veidā var modulēt ar mēli un lūpām, tādējādi dodot iespēju runāt.

## 1.2. Kontrindikācijas

Ierīci drīkst lietot tikai saskaņā ar lietošanas norādījumiem. Lietotāji, kuriem nav pietiekamu fizisko, kognitīvo vai garīgo spēju, lai paši darbotos ar ierīci, nedrīkst lietot ierīci patstāvīgi un drīkst to lietot tikai tad, ja viņi atrodas pietiekamā ārstā vai apmācīta aprūpētāja uzraudzībā. Ierīci nedrīkst novietot tieši virs trausliem kakla audiem ar vājiem asinsvadiem. Tas var izraisīt audu bojājumus vai asiņošanu. Pacienti ar šādu stāvokli ierīci drīkst lietot tikai tad, ja ārsts pacientus ir īpaši instruējis, kā droši lietot ierīci un kur to droši novietot.

## 1.3. Ierīces apraksts

Elektriskā balsene ir ar bateriju darbināma mākslīgā balsene, ko lieto ārēji uz nebojātas ādas un kas ir paredzēta izmantošanai tad, ja nav balsenes vai balsene nerada skaņu.

## 1.4. Brīdinājumi

- Drošības norādījumu neievērošana var radīt traumu vai sabojāt ierīci. Pirms ierīces lietošanas izlasiet visu tālāk sniegto drošības informāciju.
- Nepareiza ierīces lietošana vai šajos lietošanas norādījumos sniegto norādījumu neievērošana var radīt traumu un/vai ierīces bojājumus.
- Neizmantojiet ierīci vairākām personām, jo tas var izraisīt krustenisko piesārņojumu. Ierīce paredzēta tikai vienam pacientam.
- Neieslēdziet, nelietojiet un neuzlādējiet ierīci, ja tā ir tikusi pakļauta ūdens vai citu šķidrumu iedarbībai vai ir iekritusi ūdenī vai citā šķidrumā, jo tas var radīt traumu un/vai sabojāt ierīci.
- Pirms uzlādes pārbaudiet, vai lādētājs nav bojāts. Bojātu lādētāju vai tādu, kas nedarbojas, vairs nedrīkst lietot, jo var notikt aizdegšanās, rasties traumas vai ierīces bojājumi.
- Izmantojiet tikai apstiprinātus lādētājus, jo pretējā gadījumā var notikt aizdegšanās, rasties traumas vai ierīces bojājumi.
- Nemēģiniet uzlādēt neuzlādējamās baterijas, jo var rasties traumas vai ierīces bojājumi.
- Neaizstājiet uzlādējamās baterijas ar neuzlādējamām baterijām, jo var rasties traumas vai ierīces bojājumi.
- Nebojājiet baterijas fiziski, jo var rasties traumas vai ierīces bojājumi.
- Neglabājiet baterijas kabatā, somā, kastē vai atvilktnē utt., kur saskare ar vadītspējīgiem materiāliem, piemēram, monētām vai atslēgām, var izraisīt īsslēgumu, kas savukārt var radīt traumas vai ierīces bojājumus.
- Nelietojiet bateriju, ja tai ir noplūde, jo var rasties trauma vai ierīces bojājumi.
- Nepakļaujiet litija bateriju temperatūrai, kas ir ārpus uzlīmē norādītā pieļaujamā temperatūras diapazona, jo var rasties trauma vai ierīces bojājumi.
- Nomainot baterijas, rīkojieties piesardzīgi. Nepareiza bateriju uzstādīšana var izraisīt bīstamu situāciju, piemēram, ārkārtīgi lielu karstumu vai aizdegšanos, kas savukārt var radīt traumas vai bojāt ierīci un citu īpašumu.

- Ierīcē ir magnēts, kas rada magnētiskos un elektromagnētiskos laukus, kuri var traucēt elektrokardiostimulatoru vai citu implantējamu ierīču darbību, kā arī dažas procedūras vai terapiju. Atstatumam starp ierīci un jebkuru medicīniski implantējamu ierīci jābūt vismaz 6 collām (15 cm). Pirms medicīniskās procedūras vai terapijas konsultējieties ar ārstu. Ja pastāv aizdomas par traucējumiem starp ierīci un jebkuru medicīniski implantētu ierīci, pārtrauciet ierīces lietošanu un konsultējieties ar ārstu.
- Neievietojiet nevienu ierīces daļu vai piederumus stomā, jo var rasties trauma.
- Nepārveidojiet ierīci, jo var rasties traumas vai ierīces bojājumi.
- Ierīcē ir mazas detaļas, kas var atvienoties un radīt nosmakšanas draudus. Glabājiet maziem bērniem neaizsniēdamā vietā.

## 1.5. Piesardzības pasākumi

- Atverot un aizverot bateriju nodalījuma vāciņu, rīkojieties piesardzīgi, lai nebojātu baterijas vadojumu.
- Apkopes norādījumu neievērošana var radīt traumu un/vai bojāt ierīci.
- Nekādā gadījumā neizmantojiet bojātu, modificētu vai pārveidotu ierīci, kā arī neuzlādējiet bojātu, modificētu vai pārveidotu ierīci, jo var rasties trauma un/vai ierīces bojājumi.
- Uzlādes laikā ierīce un baterijas var sakarst (līdz 45 °C/113 °F). Pirms lietošanas ļaujiet ierīcei atdzist.
- Lietošanas laikā ierīce var sakarst. Novietojot ierīci uz kakla lietošanai, veiciet nepieciešamos piesardzības pasākumus.
- Intensīvi lietojot, vibrācija dažiem jutīgiem lietotājiem var radīt diskomfortu.
- Ierīce var sākt darboties nepareizi vai pārtraukt darbību citu ierīču elektromagnētiskā lauka izraisītu traucējumu dēļ.
- Uzmanieties, lai nekošļātu/nesakostu mutes (perorālo) caurulīti, kas var izraisīt zobu bojājumus.
- Neļaujiet ierīcei nokrist, jo tas var izraisīt ierīces bojājumus.
- Ierīce var radīt piepūles un noguruma sajūtu plecā/rokā cilvēkiem, kuriem ir pleca disfunkcija.

## 2. Lietošanas norādījumi

**Definīcijas:** **TTE** = *Provox TruTone Emote*, **TTP** = *Provox TruTone Plus*, **TTE/P** = *abi Provox TruTone izstrādājumi*, **STP** = *Provox SolaTone Plus*

### 2.1. Saturs

#### Kastes saturs

- Elektriskā balsene
- IFU — lietošanas norādījumi
- Mutes adapters
- Mutes caurulītes iepakojums
- Mikro USB kabelis
- Īpaši spalgas skaņas galva (TTE/P)
- 2 AA NiMH uzlādējamas baterijas (STP)
- Kakla siksnā

#### Detaļu specifikācija (1. attēls)

- Skaņas galva (x2 TTE/P) (x1 STP) (iekļaujot skaņas pogu un putu gredzenu)
- Skaņas galvas starplika (TTE/P)
- Ieslēgšanas/izslēgšanas poga (poga Emotion™ TTE/P ierīcē)
- Skaļuma poga
- Korpuss
- Baterija
- Baterijas nodalījuma vāciņš
- Baterijas savienotājs (TTE/P)

- I. Mutes caurulīte (2 + 2)
- J. Mutes adapters
- K. Toņa (skaņas augstuma) regulēšanas poga
- L. Gaismas diodes indikators
- M. Poga REŽĪMS (TTE/P)
- U. USB aizsargs pret putekļiem (TTE/P)
- V. USB uzlādes ligzda

## 2.2. Darbības instrukcija

### 2.2.1. Skaļuma līmenis un jauda

- Skaļuma regulēšanas poga (D), pagriezta līdz galam, nozīmē izslēgšanu.
- Ieslēdziet ierīci un noregulējiet skaļumu, griežot skaļuma regulēšanas pogu uz augšu (D).

### 2.2.2. Toņa regulēšana

- Noregulējiet toni, griežot toņa regulēšanas pogu (K).
- Veicot sākotnējo regulēšanu, turiet nospiestu ieslēgšanas/izslēgšanas pogu (C), lai dzirdētu atšķirības.
- Izmantojot toņa regulēšanas pogu (K) un neturot nospiestu ieslēgšanas/izslēgšanas pogu (C), tonis joprojām mainās, taču to nav iespējams sadzirdēt.

### 2.2.3. Režīma iestatīšana (TTE/P)

Lai mainītu režīmu, vispirms noņemiet baterijas nodalījuma vāciņu un pēc tam nospiediet gan režīma pogu (M), gan ieslēgšanas/izslēgšanas pogu (C). Režīms mainās tūlīt, taču, ja aizvien turat nospiestu ieslēgšanas/izslēgšanas pogu, ierīce atskaņo pīkstieni, norādot jaunā režīma iestatījumu. Skaņas signālu (pīkstieni) skaits un tonis norāda, kādā režīmā ierīce darbojas.

Provox TruTone Emote (TTE) ir seši režīmi 1–6, un Provox TruTone Plus (TTP) ir divi režīmi 1–2.

**1.–4. režīms:** četri iepriekš iestatīti diapazoni.

- |  |                  |
|--|------------------|
| 1. režīms — gandrīz monotons                 | 1 skaņas signāls |
| 2. režīms — zemi toņi — 1/2 oktāvu diapazons | 2 skaņas signāli |
| 3. režīms — vidēji toņi                      | 3 skaņas signāli |
| 4. režīms — augsti toņi — 2 oktāvu diapazons | 4 skaņas signāli |

**5.–6. režīms (TTE)** Skaļuma režīms ļauj regulēt skaļumu ar ieslēgšanas/izslēgšanas pogu (C) toņa pogas (K) vietā. Tas paredzēts cilvēkiem, kas neizmanto toņa kontroli, un šādi var regulēt skaļumu, nelietojot pogu. Ļoti viegli pieskaroties, var runāt „čukstus”, bet, stingri piespiežot, skaņa būs maksimālā skaļumā. Skaļuma kontroles poga aizvien ierobežo maksimālo skaļumu. Ieslēdzot šos režīmus, rodas „šņācoša” skaņa (ar pieaugošu toni), nevis vienmērīga toņa skaņas signāls.

- |  |              |
|--|--------------|
| 5. režīms — zema jutība —, lai ieslēgtu pilnu skaļumu, jānospiež spēcīgāk.         | 2 „šņācieni” |
| 6. režīms — augsta jutība —, lai ieslēgtu pilnu skaļumu, jānospiež ne tik spēcīgi. | 3 „šņācieni” |

### 2.2.4. Skaņas galvas izvēle

Ja jums ir cieti kakla audi vai atrodaties skaļā vidē. Varat izmantot pelēko skaņas galvu, jo tās skaņa ir spalgāka. (Skatiet 2.3.2. sadaļu Skaņas galvas maiņa)

### 2.2.5. Skaņas galvas starplikas (B) izmantošana — (TTE/P)

Ja regulāri izmantojat augstāku toni un dodat priekšroku toņa kvalitātei bez skaņas galvas starplikas, varat to noņemt. (Skatiet 2.3.3. sadaļu Skaņas galvas starplikas pievienošana un noņemšana)

## 2.2.6. Baterijas uzlāde

- Augšgalā noņemiet USB aizsargu pret putekļiem (U). (TTE/P)
- Ievietojiet mikro USB ar apstiprinātu spraudni USB uzlādes ligzdā (V), uzlādei izmantojot sienas kontaktligzdu.
- Pārbaudiet, vai iedegas gaismas diodes indikators (L).
- Pēc uzlādes beigšanas atvienojiet ierīci, lai taupītu enerģiju. Izmantojiet, kamēr sāk samazināties skaļums; tad ir izlādējušies 80% baterijas.

### Gaismas diodes indikators (L)

- Zems akumulatora uzlādes līmenis (TTE/P) — indikators iedegas, nospiežot ieslēgšanas/izslēgšanas pogu, norādot, ka tuvojas uzlādes laiks.
- Uzlāde — indikators deg
- Pilnīga uzlāde — indikators mirgo

## 2.2.7. Elektriskās balsenes novietojums uz kakla

- Novietojiet skaņas galvu (A) pie kakla un nospiediet ieslēgšanas/izslēgšanas pogu (C). Neievietojiet stomā nevienu elektriskās balsenes daļu vai piederumu.
- Runājiet, skaņai nonākot mutē. Neizvadiet gaisu.
- Skaņas galvai cieši jāpieguļ kaklam.
- Izmēģiniet dažādas vietas, līdz iegūstat labāko skaņu. Ņemiet vērā, ka vietas maiņa pat par 3 mm/1/8 collām var būtiski ietekmēt skaņas skaļumu.
- Ja nevarat nodrošināt skaņas pārraidi caur kaklu vai medicīnisku iemeslu dēļ nevarat novietot ierīci uz kakla, mēģiniet to novietot uz vaiga vai izmantojiet mutes adapteru (skatiet papildu mutes adaptera/caurulītes uzstādīšanas/izmantošanas informāciju 2.3.4. sadaļā).
- Noregulējot augstāku vai zemāku pamattoni, var iegūt labāku balsi.
- Vairumam cilvēku vieglāk ir dzirdami vidēja diapazona toņi.

## 2.2.8. Papildu mutes adapters un mutes caurulītes

Ja novietojums uz kakla jums nav piemērots, jo kakls ir jutīgs vai skaņa ir pārāk spalga, varat izmantot mutes adapteru. (Mutes adaptera/caurulītes uzstādīšana/izmantošana, 2.3.4. sadaļa)

## 2.2.9. Vadlīnijas izmantošanai demonstrācijas nolūkos

### Brīdinājums.

Mutes adapters, mutes caurulīte un skaņas galva ir paredzēta tikai vienam pacientam, un to nedrīkst atkārtoti izmantot citiem pacientiem.

### Piesardzības pasākums.

Veiciet ierīces apkopi pēc lietošanas katram pacientam un pēc demonstrācijas saskaņā ar apkopes norādījumiem.

- Demonstrācija ir paredzēta, lai noteiktu, vai ierīce ir piemērota pacientam.
- Lietotājiem jānotīra un jādezinficē rokas ar izopropilspirtu (IPA) vai citu piemērotu dezinfekcijas līdzekli, vai arī jāizmanto cimdi.
- Skaņas galva (A) (tostarp skaņas poga un putu gredzens) jānomaina un jāizmet pirms lietošanas citam pacientam (2.3.2. Skaņas galvas maiņa).
- Ierīce jānoslauka pirms un pēc katra pacienta saskaņā ar informāciju 2.3.1. sadaļā Ierīces apkope.

## 2.3. Apkope un detaļu maiņa

### 2.3.1. Ierīces apkope

- Par apkopes veikšanu ir atbildīgs lietotājs. Apkope ir jāveic pēc katras lietošanas reizes.



- Noslaukiet ierīci ar tīru, sausu drānu vai, ja nepieciešams, ar nedaudz mitru drānu (nepilošu). Izmantojiet ūdeni ar saudzīgām ziepēm vai izopropilspirtu 50–75%.
- Uzmanieties, lai ierīcē neiekļūtu mitrums.
- Neizmantojiet elektriskos vai aerosola tīrīšanas līdzekļus.

### 2.3.2. Skaņas galvas maiņa (5. attēls)

Sazinieties ar vietējo pārstāvi, lai nomainītu skaņas galvas.

1. Noslaukiet ierīci saskaņā ar informāciju 2.3.1. sadaļā. Apkope. Nedaudz piespiežot, notīriet ieslēgšanas/izslēgšanas pogu ar apļveida jeb pagriešanas kustību. Pēc korpusa noslaukīšanas noslaukiet arī skaņas galvas vāciņu, uzmanoties, lai neradītu pārmērīgu spiedienu, kas var izraisīt augšējās skaņas pogas izkustēšanos.
2. Noņemiet skaņas galvu, to atskrūvējot.
3. Pārlicinieties, vai skaņas galvas starplika (B) joprojām ir uzstādīta. Ja starplika ir bojāta vai tās nav, pirms jaunās skaņu galvas (A) (TTE/P) uzstādīšanas nomainiet to (skatiet informāciju 2.3.3. sadaļā Skaņas galvas starplikas pievienošana un noņemšana).
4. Uzstādiet jaunu skaņu galvu (A).

**Piesardzības pasākums.** Neizņemiet silikona membrānu zem skaņas galvas. Silikona membrānai jābūt ievietotai spoles/izpildmehānisma kāta rievā. **(3. attēls)**

**Piesardzības pasākums.** Nesavijiet spoli/izpildmehānismu. Vadu tinumam ap spoli/izpildmehānismu jābūt vienmērīgam. **(3. attēls)**

### 2.3.3. Skaņas galvas starplikas pievienošana un noņemšana (2. attēls)

1. Atskrūvējiet skaņu galvu.
2. Pievienojiet/noņemiet starpliku.
3. Pieskrūvējiet skaņas galvu.
4. Izmēģiniet ierīci, pievēršot uzmanību toņu kvalitātei. Ja dodat priekšroku toņu kvalitātei bez starplikas, starpliku noteikti glabājiet drošā vietā, piemēram, ierīces oriģinālajā kastē.

### 2.3.4. Mutes adaptera/caurulītes uzstādīšana/izmantošana (3. attēls)

1. Mutes adaptera (J) augšdaļā ievietojiet mutes caurulīti (I).

**Piesardzības pasākums.** Neievietojiet mutes caurulīti aiz atdures. Caurulīte nedrīkst iespiesties vāciņa zonā.

2. Uzlieciet mutes adapteru uz skaņas galvas (A).

**Piesardzības pasākums.** Nesavijiet to.

3. Ievietojiet mutes caurulīti mutes kaktiņā.
4. Ieslēdziet elektrisko balseni. Runājiet ap mutes caurulīti.

### 2.3.5. Baterijas maiņa

#### STP

Divi 1,5 V niķeļa metāla hidrīda (NiMH) uzlādējamie AA tipa elementi.

- Uzstādiet bateriju (F) atbilstīgi STP iekšpusē esošajām bultiņām (1. attēls)

#### TTE/P

Izmantojiet tikai apstiprinātas litija jonu baterijas. Lai saņemtu plašāku informāciju, sazinieties ar izplatītājiem.

• Ievietojiet bateriju (F), kā parādīts (1. attēlā); to var ievietot tikai vienā virzienā. Baterijas savienotāja (H) salāgošanas izcilnis ir vērsts augšup; sarkanais vads ir labajā pusē. **(1. attēls)**

## 2.4. Problēmu novēršanas norādījumi

### 2.4.1. Neapmierinoša saprotamība tālruņa lietošanas laikā

1. Novietojiet tālruņa mikrofonu pie deguna, nevis zem mutes. Šādi mikrofons nesaskarēs ar stomu un elektriskās balsenes skaņu.
2. Samaziniet elektriskās balsenes skaļumu tā, lai skaļuma līmenis būtu iespējami zemāks, vienlaikus joprojām radot toni.

### 2.4.2. Ierīce „nereaģē”, „ir salūzusi” vai „pārstāja darboties”

1. Pārlicinieties, vai skaļuma regulēšanas poga (D) nav pagriežta līdz galam, tādējādi izslēdzot ierīci.
2. Grieziet skaļuma regulēšanas pogu (D) līdz galam, lai izslēgtu ierīci.
3. Viegli nospiediet ieslēgšanas/izslēgšanas pogu (C) un palieliniet spiedienu. Ja ierīce šajā laikā ieslēdzas un izslēdzas, ierīce ir jānosūta nomaīnai. (Skatiet 2.5.1. sadaļu Apkope un palīdzība).
4. Ja gaismas diodes indikators iedegas katru reizi, kad tiek nospiesta ieslēgšanas/izslēgšanas poga (C), ierīces baterijas uzlāde ir zema un baterija ir jāuzlādē. (TTE/P).
5. Pievienojiet ierīcei piemērotu mikro USB barošanas kabeli. Ja ierīce ieslēdzas un mirgo gaismas diodes indikators, ierīces baterija ir atvienota. Noņemiet baterijas nodalījuma vāciņu un iespiediet baterijas kabeļa savienotāju (melna plastmasa, no kuras izvīzās melnais un sarkanais vads) tālāk korpusā.

### 2.4.3. Uzlādes laikā nedeg uzlādes indikators (L)

1. Pārbaudiet barošanas kontaktligzdu ar lampu.
2. Pārlicinieties, vai mikro USB kabeļa spraudnis ir pilnībā pieslēgts barošanas avotam un ierīcei.
3. Izmēģiniet citu mikro USB kabeli.
4. Izmēģiniet citu barošanas avotu (USB barošanas kontaktligzdu).
5. Pārbaudiet lādētāju un kabeli ar mobilo tālruni vai citu ierīci.

#### **STP**

6. Pārlicinieties, vai baterija (baterijas) ir uzlādējama(-as) Ierīce neuzlādēs atkārtoti neuzlādējamās baterijas.
7. Pārbaudiet, vai baterijas ir ievietotas pareizi. Pārbaudiet, vai baterijas ir pareizi orientētas: baterijas norāde + atbilst ierīces norādei +.

#### **TTE/P**

8. Pievienojiet ierīcei piemērotu USB barošanas kabeli un nospiediet ieslēgšanas/izslēgšanas pogu (C); ja ierīce ieslēdzas un mirgo gaismas diodes indikators, ierīces baterija ir atvienota. Noņemiet baterijas nodalījuma vāciņu (G) un iespiediet baterijas savienotāju (H) tālāk korpusā.

### 2.4.4. Ierīcei „ir pārāk liela dūkoņa”, „ir jocīga skaņa”, „skaņa ir slāpēta” vai „ir neskaidra”

1. Pārbaudiet, vai skaņas galva (A) pilnībā saskaras ar kakla ādu.
2. Izmēģiniet citu vietu uz kakla. (Skatiet 2.2.7. sadaļu Elektriskās balsenes novietojums uz kakla.)
3. Samaziniet skaļumu (D).
4. Noregulējiet toni (K).
5. Lietojiet mutes adapteru (skatiet informāciju par mutes adaptera un mutes caurulītes uzstādīšanu/izmantošanu 2.3.4. sadaļā).

6. Pārbaudiet vāciņu. Ja skaņas poga šķiet vaļīga vai ir nedaudz pārvietojusies, vai arī putu gredzens šķiet bojāts, ierīcei, iespējams, ir nepieciešams jauns putu gredzens.

7. Noņemiet skaņas galvu (A) un ielūkojieties tās iekšpusē.

- Vai skaņas galvas (A) vidusdaļā ir pielīmēts neliels gumijas gabaliņš? Ja tā nav, ierīcē ir jānomaina skaņas poga. (Skatiet 2.5.1. sadaļu Apkope un palīdzība).
- Pārbaudiet, vai membrāna ir piestiprināta spoles statīvam. Pārļiecinieties, vai spole, pieskaroties tai, brīvi kustas un nav jūtama ķeršanās (4. attēls).

#### **TTE/P**

1. Izmēģiniet papildu īpaši spalgas skaņas galvu (2.3.2. Skaņas galvas maiņa) (5. attēls)

### **2.4.5. „Skaņas galva (A) ir atdalījusies”, vai skaņas poga ir izstumta no vāciņa**

1. Pārbaudiet, vai putu gredzens nav bojāts.
2. Ja tas nav bojāts, oriģinālo putu gredzenu var izmantot atkārtoti un salikt.
3. Ja gredzens ir bojāts, tas jānomaina.

#### **TTE/P**

Pogas sensora jutība var būt pārāk spēcīga. Izmēģiniet citu REŽĪMU, parasti zemāku.

### **2.4.6. Poga „ķeras”**

1. Izlasiet vispārīgos tīrīšanas ieteikumus (2.3.1. Ierīces apkope).
2. Izmantojot q-tip vai vates tamponu ar nelielu daudzumu ieteicamā spirta (2.3.1. Ierīces apkope), 5–6 reizes notīriet ap ieslēgšanas/izslēgšanas pogu un pēc tam 5–6 reizes nospiediet to.
3. Pārmaiņus nospiediet ieslēgšanas/izslēgšanas pogu un, izmantojot q-tip vai vates tamponu, notīriet zonu ap pogu. Turpiniet, līdz poga vairs neķeras.
4. lai izņemtu ieslēgšanas/izslēgšanas pogas spraugā iestrēgušos netīrumus, izmantojiet biezāku papīra gabalu.

### **2.4.7. Nestabils tonis (TTE/P)**

Izmēģiniet režīmu ar mazāku jutību. (Skatiet 2.2.3. sadaļu Režīma iestatīšana)

### **2.4.8. Nevienmērīgs skaļums (TTE/P)**

Izmēģiniet režīmu, kas nav skaļuma režīms. (Skatiet 2.2.3. sadaļu Režīma iestatīšana)

### **2.4.9. Ierīce rada radio vai televizora uztveršanas traucējumus**

1. Pagriez citā virzienā vai pārvietot uztveršanas antenu.
2. Palielināt attālumu starp iekārtu un uztvērēju.
3. Pieslēgt iekārtu elektriskās ķēdes kontaktligzdai, kurai nav pieslēgts uztvērējs.
4. Lai saņemtu palīdzību, konsultēties ar izplatītāju vai pieredzējušu radio/televizoru speciālistu.

## **2.5. Apkope**

### **2.5.1. Apkope un palīdzība**

Elektriskajā balsenē nav apkopjamu detaļu, izņemot tās, kuras var noņemt pats patients. Apkopes detaļas ir, piemēram, baterijas, skaņas galva, skaņas galvas starplika, putu gredzens, mutes adapters un mutes caurulītes. Sazinieties ar vietējo pārstāvi, lai saņemtu palīdzību elektriskās balsenes lietošanā vai apkopē un pasūtītu detaļas.

## 2.6. Atbrīvošanās

Vienmēr ievērojiet ārstu prakses un valsts prasības attiecībā uz bioloģisko bīstamību, izmetot lietotu medicīnisku ierīci.

## 2.7. Ziņošana

Ņemiet vērā, ka par jebkuru būtisku starpgadījumu, kas radies saistībā ar ierīci, jāziņo ražotājam un valsts iestādei valstī, kurā dzīvo lietotājs un/vai pacients.

## 3. Tehniskie dati

Apraksts	Specifikācija
Darba temperatūra (lai uzturētu optimālu baterijas darbību)	no +5 °C līdz +25 °C no +41 °F līdz +77 °F
Glabāšanas un pārvadāšanas temperatūra (lai uzturētu optimālu baterijas darbību)	no -20 °C līdz +25 °C no -4 °F līdz +77 °F
Mitrums darbības laikā (lai uzturētu optimālu baterijas darbību)	Relatīvais mitrums: no 15% līdz 93%, no 700 hPa līdz 1060 hPa
Mitrums glabāšanas laikā	Relatīvais mitrums: no 0% līdz 45%
Paredzamais darbības laiks	1–5 gadi
Lietojamā daļa	BF tipa lietojamā daļa (visa ierīce)
Darbības režīms	30 minūšu ilgā darbība 24 stundu periodā
Barošanas avots	Iekšēja barošana
Izmēri	Provox SolaTone Plus 118 mm (4,6 collas); Provox TruTone Emote 113 mm (4,5 collas); Provox TruTone Plus 113 mm (4,5 collas).
Svars	Provox SolaTone Plus 130 g (0,29 mārciņas); Provox TruTone Emote 130 g (0,29 mārciņas); Provox TruTone Plus 131 g (0,29 mārciņas)
Lādētāja tehniskie dati	5 V, vismaz 750 mA (vai vismaz 0,75 A)

## 4. Atbilstība

Ierīce ir testēta un atbilst standartam IEC 60601-1-2 prasībām ar testa līmeni, kas pielāgots mājas videi.

## 1. Popis

### 1.1 Účel použití

Elektrolarynx je baterií napájený umělý hrtan, který se používá externě a je určen pro použití v případě, že hrtan není schopen vydávat zvuk. Když je zařízení drženo proti kůži v oblasti hrtanu nebo při vložení trubice do dutiny ústní (s ústním adaptérem), vytváří zařízení mechanické vibrace, které rezonují v dutině ústní a nosní a lze je normálním způsobem modulovat jazykem a rty, takže umožňují mluvení.

### 1.2 Kontraindikace

Zdravotnický prostředek by měl být používán pouze v souladu s návodem k použití. Uživatelé, kteří nemají fyzické, kognitivní nebo mentální schopnosti potřebné k tomu, aby zařízení sami obsluhovali, by zařízení neměli používat samostatně a měli by jej používat pouze v případě, že jsou pod dostatečným dohledem lékaře nebo vyškoleného ošetřovatele. Zařízení by nemělo být aplikováno přímo na křehkou krční tkáň se slabými cévami. Mohlo by způsobit poškození tkáně nebo krvácení. Pacienti s tímto stavem by měli prostředek používat pouze tehdy, pokud byli svým lékařem výslovně poučeni o tom, jak tento prostředek používat a kde jej bezpečně aplikovat.

### 1.3 Popis prostředku

Elektrolarynx je baterií napájený umělý hrtan, který se používá externě na nepoškozenou kůži a je určen k použití v případě absence hrtanu nebo nemožnosti používat hrtan k vydávání zvuku.

### 1.4 Varování

- Nedodržení bezpečnostních pokynů může vést ke zranění osob nebo poškození prostředku. Před použitím prostředku si přečtete všechny níže uvedené bezpečnostní informace.
- Nesprávné použití prostředku nebo nedodržení pokynů uvedených v tomto návodu k použití může způsobit zranění osob a/nebo poškození prostředku.
- Nepoužívejte prostředek společně s dalšími osobami, mohlo by dojít ke křížové kontaminaci. Tento prostředek je určen k použití pouze u jednoho pacienta.
- Prostředek nezapínejte, nepoužívejte ani nenabíjejte, pokud byl vystaven působení vody nebo spadl do vody či jiné kapaliny, protože to může způsobit zranění osob a/nebo poškození prostředku.
- Před nabíjením zkontrolujte, zda není nabíječka poškozená. Poškozená nebo nefunkční nabíječka se již nesmí používat, protože může způsobit požár, zranění osob nebo poškodit prostředek.
- Používejte pouze schválené nabíječky, protože použití neschválených nabíječek může způsobit požár, zranění osob nebo poškození prostředku.
- Nepokoušejte se nabíjet nenabíjecí baterie, protože by mohlo dojít ke zranění osob nebo poškození prostředku.
- Nevyměňujte dobíjecí baterie za nedobíjecí, protože by mohlo dojít ke zranění osob nebo poškození prostředku.
- Nepoškozujte baterie fyzicky, protože by mohlo dojít ke zranění osob nebo poškození prostředku.
- Neukládejte baterie do kapes, kabelek, krabiček, zásuvek apod., kde by mohlo dojít k jejich vzájemnému zkratu nebo ke zkratu vodivými materiály, jako jsou mince nebo klíče, protože by mohlo dojít ke zranění osob nebo poškození prostředku.

- Nepoužívejte již vytékající baterii, protože by mohlo dojít ke zranění osob nebo poškození prostředku.
- Nevystavujte lithiovou baterii teplotám mimo teplotní rozsahy uvedené na štítku, protože by mohlo dojít ke zranění osob nebo poškození prostředku.
- Při výměně baterie buďte opatrní. Nesprávná instalace baterií může vést k nebezpečným situacím, jako je extrémní teplo nebo požár, a tímto by mohlo dojít ke zranění osob nebo poškození prostředku či jiného majetku.
- Prostředek obsahuje magnet, který vytváří magnetické a elektromagnetické pole, jež může rušit kardiostimulátory nebo jiná implantabilní zařízení a také některé postupy nebo léčbu. Dodržujte minimální vzdálenost 6 palců / 15 cm mezi prostředkem a jakýmkoliv lékařsky implantovanými prostředky. Před jakýmkoli lékařským zákrokem nebo léčbou se poraďte se svým lékařem. V případě podezření na interferenci mezi přístrojem a jakýmkoli lékařsky implantovaným přístrojem přestaňte přístroj používat a poraďte se se svým lékařem.
- Nezavádějte žádnou část zařízení ani příslušenství do stomie, protože by to mohlo vést k poranění osoby.
- Prostředek neupravujte, protože by mohlo dojít ke zranění osob nebo poškození prostředku.
- Prostředek obsahuje malé části, které se mohou uvolnit a způsobit nebezpečí udušení. Uchovávejte mimo dosah malých dětí.

## 1.5 Bezpečnostní opatření

- Při otvírání/zavírání víčka baterie dávejte pozor, abyste nepoškodili kabeláž baterie.
- Nedodržení pokynů pro údržbu může vést ke zranění osob a/nebo poškození prostředku.
- Nikdy nepoužívejte poškozený, upravený nebo pozměněný prostředek, ani nenabíjejte poškozený, upravený nebo pozměněný prostředek, protože by mohlo dojít ke zranění osob a/nebo poškození prostředku.
- Prostředek a baterie se mohou během nabíjení zahřát (až na 45 °C / 113 °F). Před použitím nechte prostředek vychladnout.
- Prostředek se může během používání zahřát. Při nasazování na krk dodržujte nezbytná bezpečnostní opatření.
- Při intenzivním používání mohou vibrace některým citlivým uživatelům způsobit nepříjemné pocity.
- Prostředek se může porouchat nebo přestat fungovat v důsledku rušení elektromagnetickým polem od jiných zařízení.
- Dávejte pozor, abyste ústní trubičku nežvýkali/nekousali, protože by mohlo dojít k poškození zubů.
- Dávejte pozor, abyste prostředek neupustili, protože by mohlo dojít k jeho poškození.
- U osob s dysfunkcí ramene může prostředek vyvolat pocit námahy a únavy v rameni nebo paži.

## 2. Návod k použití

**Definice:** **TTE** = *Provox TruTone Emote*, **TTP** = *Provox TruTone Plus*, **TTE/P** = *oba produkty Provox TruTone*, **STP** = *Provox SolaTone Plus*

### 2.1 Obsah

#### Obsah krabičky

- Elektrolarynx
- Návod k použití
- Ústní adaptér
- Balení různých druhů ústních trubic
- Kabel Micro USB

- Extra pronikavá zvuková hlavice (TTE/P)
- 2 dobíjecí baterie AA NiMH (STP)
- Šňůrka na krk

### Specifikace dílů (obrázek 1)

- A. Zvuková hlavice (×2 TTE/P) (×1 STP) (včetně zvukového tlačítka a pěnového kroužku)
- B. Distanční vložka zvukové hlavice (TTE/P)
- C. Vypínač (tlačítko Emotion™ na TTE/P)
- D. Knoflík hlasitosti
- E. Tělo
- F. Baterie
- G. Víko baterie
- H. Konektor baterie (TTE/P)
- I. Ústní trubice (2 + 2)
- J. Ústní adaptér
- K. Knoflík pro nastavení tónu (výšky)
- L. Kontrolka LED
- M. Tlačítko REŽIMU (TTE/P)
- U. Protiprachový kryt USB (TTE/P)
- V. Nabíjecí konektor USB

## 2.2 Návod k obsluze

### 2.2.1 Úroveň hlasitosti a výkon

- Knoflík hlasitosti (D) nastavený zcela dolů je vypnutý.
- Zapněte prostředek a nastavte hlasitost otáčením knoflíku hlasitosti směrem nahoru (D).

### 2.2.2 Nastavení tónu

- Otáčením knoflíku pro nastavení tónu (K) upravte tón.
- Abyste slyšeli rozdíly, držte při prvním nastavení stisknuté tlačítko napájení (C).
- Použití knoflíku pro nastavení tónu (K) bez držení tlačítka napájení (C) stále mění tón bez možnosti jej slyšet.

### 2.2.3 Nastavení režimu (TTE/P)

Chcete-li změnit režim, nejprve sejměte kryt baterie a poté stiskněte tlačítko režimu (M) i tlačítko napájení (C). Režim se změní ihned, ale pokud budete nadále držet tlačítko napájení, zařízení pípne a dá tak najevo nové nastavení režimu. Počet pípnutí a tón pípnutí označují, v jakém režimu se zařízení nachází.

Prostředek Provox TruTone Emote (TTE) má šest režimů 1–6 a prostředek Provox TruTone Plus (TTP) má dva režimy 1–2.

**Režimy 1–4:** Čtyři přednastavené rozsahy.

Režim 1 – téměř monotónní	1 pípnutí
Režim 2 – nízké tónové variace – 1/2oktávový rozsah	2 pípnutí
Režim 3 – střední tónové variace	3 pípnutí
Režim 4 – vysoké tónové variace – 2oktávový rozsah	4 pípnutí

**Režimy 5–6 (TTE):** Režim hlasitosti umožňuje ovládat hlasitost tlačítkem napájení (C) namísto tónu (K). Tato funkce je určena pro osoby, které nepoužívají ovládání tónu, a umožňuje jim to ovládat hlasitost bez pohybu knoflíku. Velmi lehký dotek vám umožňuje „šeptat“, zatímco silným stisknutím bude vydáván zvuk o plné hlasitosti. Knoflík ovládání hlasitosti stále omezuje vaši maximální hlasitost. Změnou na tyto režimy je vydán „houkavý“ zvuk (s rostoucím tónem) namísto neměnného pípnutí.

Režim 5 – nízká citlivost – maximální hlasitosti vyžaduje větší tlak.

2 „zahoukání“

Režim 6 – vysoká citlivost – maximální hlasitost vyžaduje menší tlak.

3 „zahoukání“

## 2.2.4 Výběr zvukové hlavy

Pokud máte tvrdou krční tkáň nebo se nacházíte v hlučném prostředí. Šedou zvukovou hlavu lze použít díky jejímu pronikavějšímu zvuku. (Viz 2.3.2 Výměna zvukové hlavy)

## 2.2.5 Použití distanční vložky zvukové hlavičky (B) – (TTE/P)

Pokud pravidelně používáte vyšší tón a dáváte přednost tónovým vlastnostem bez použití distanční vložky hlavičky, můžete ji vyjmout. (Viz 2.3.3 Přidání/odstranění distanční vložky zvukové hlavy)

## 2.2.6 Nabíjení baterie

- Vytáhněte kryt USB proti prachu (U) na horním konci. (TTE/P)
- Zasuňte micro-USB do nabíjecího konektoru USB (V) se schválenou zástrčkou pro nabíjení ze sítě.
- Zkontrolujte, zda svítí kontrolka LED (L).
- Po dokončení nabíjení přístroj odpojte, abyste šetřili energii. Používejte je, dokud nezačne hlasitost slábnout, což je při 80% vybití.

### Kontrolka LED (L)

- Vybitá baterie (TTE/P) – kontrolka se rozsvítí po stisknutí tlačítka napájení a signalizuje, že se blíží čas nabíjení.
- Nabíjení – trvalé světlo
- Úplné nabití – blikající kontrolka

## 2.2.7 Umístění elektrolaryngu na krku

- Umístěte zvukovou hlavičku (A) proti krku a aktivujte tlačítko napájení (C). Nevkládejte žádnou část zařízení ani příslušenství do stomie.
- Mluvte tak, aby se zvuk přenášel do vašich úst. Netlačte vzduch ven.
- Zajistěte vzduchotěsné spojení mezi zvukovou hlavičkou a vašim krkem.
- Vyzkoušejte různé pozice, dokud nedosáhnete nejlepšího zvuku. Mějte na vědomí, že i změna polohy o 3 mm (1/8 palce) může mít velký vliv na hlasitost zvuku.
- Pokud se vám nedaří dosáhnout přenosu zvuku přes krk nebo pokud ze zdravotních důvodů nemůžete zařízení přiložit ke krku, zkuste jej umístit na tvář nebo použijte ústní adaptér (viz část Instalace/použití volitelného ústního adaptéru/trubice 2.3.4)
- Nastavení základního tónu nahoru nebo dolů může vést k lepšímu hlasu.
- Pro většinu lidí je snazší slyšet tóny ve středním rozsahu.

## 2.2.8 Volitelný ústní adaptér a ústní trubice

Pokud vám umístění na krku nevyhovuje kvůli citlivému krku nebo nadměrnému bzučení, můžete použít ústní adaptér. (Instalace/použití ústního adaptéru/trubice viz 2.3.4)

## 2.2.9 Pokyny k použití při ukázce

### Varování!

Ústní adaptér a zvukové hlavičky jsou určeny pouze pro jednoho pacienta a nesmí se používat opakovaně u jiných pacientů.

### Upozornění!

Prostředek udržujte po každém použití pacientem a předvedení podle pokynů k údržbě.



- Účelem demonstračního použití je zjistit, zda je prostředek vhodný pro pacienta.
- Uživatelé si očistí a vydezinfikují ruce izopropylalkoholem (IPA) nebo jiným vhodným dezinfekčním prostředkem, případně použijí rukavice.
- Zvuková hlava (A) (včetně zvukového tlačítka a pěnového kroužku) se mezi jednotlivými pacienty vyměňuje a likviduje (viz 2.3.2 Výměna zvukové hlavy).
- Před každým pacientem a po něm se přístroj otře podle bodu 2.3.1 Údržba prostředku.

## 2.3 Údržba a výměna dílů

### 2.3.1 Údržba prostředku

- Za provádění údržby je odpovědný uživatel. Údržbu je třeba provádět po každém použití.
- Prostředek otřete čistým, suchým hadříkem nebo v případě potřeby mírně vlhkým hadříkem (ne mokřým). Použijte vodu s jemným mýdlem nebo izopropylalkohol 50–75%.
- Dávejte pozor, aby se do prostředku nedostala vlhkost.
- Nepoužívejte elektrické čističe ani čističe ve spreji.

### 2.3.2 Výměna zvukové hlavy (obrázek 5)

Informace o náhradních zvukových hlavách získáte u svého místního zástupce.

1. Vyčistěte prostředek podle bodu 2.3.1. Údržba. Nezapomeňte vyvinout mírný tlak a krouživým nebo otáčivým pohybem otřete tlačítko napájení. Po otření těla otřete víko zvukové hlavy a dávejte pozor, abyste nevyvíjeli přílišný tlak, který by mohl způsobit uvolnění horního zvukového tlačítka.
2. Odšroubujte a sejměte zvukovou hlavici.
3. Ujistěte se, že je distanční vložka zvukové hlavy (B) stále namontovaná. Pokud je zlomená nebo chybí, vyměňte ji před instalací nové zvukové hlavy (A) (TTE/P) (viz 2.3.3 Přidání/odstranění distanční vložky zvukové hlavy).
4. Nainstalujte novou zvukovou hlavu (A).

**Upozornění:** Neodstraňujte silikonovou membránu pod zvukovou hlavou. Silikonová membrána musí zůstat v drážce na kolíku cívky / hnacího zařízení. **(Obrázek 3)**

**Upozornění:** Dávejte pozor, abyste cívku / hnací zařízení nezkroutili. Dráty musí plynule obtáčet cívku / hnací zařízení. **(Obrázek 3)**

### 2.3.3 Přidání/odstranění distanční vložky zvukové hlavy (obrázek 2)

1. Odšroubujte zvukovou hlavici.
2. Přidejte/odstraňte distanční vložku.
3. Našroubujte zvukovou hlavici zpět.
4. Vyzkoušejte zařízení, poslechněte si zvukové vlastnosti. Pokud dáváte přednost zvukovým vlastnostem bez distanční vložky, uložte si vložku na bezpečné místo, jako například do krabice, ve které zařízení dorazilo.

### 2.3.4 Instalace/použití ústního adaptéru a trubice (obrázek 3)

1. Vložte ústní trubici (I) do horní části ústního adaptéru (J).

**Upozornění:** Ústní trubici vsuňte pouze po zarážku. Trubice nesmí vyčnívat do oblasti víka.

2. Nasad'te ústní adaptér na zvukovou hlavici (A).

**Upozornění:** Neotáčejte jím.

3. Umístěte ústní trubici do úst v koutku úst.
4. Aktivujte elektrolarynx. Mluvte v okolí kolem ústní trubice.

## 2.3.5 Nabíjení baterie

### STP

Dva 1,5V nikel-metal hydridové (NiMH) dobíjecí AA články.

- Instalujte baterii (F) podle šipek umístěných uvnitř STP (obrázek 1)

### TTE/P:

Používejte pouze schválené lithium-iontové baterie. Pro více informací kontaktujte distributory.

- Nainstalujte baterii (F) podle obrázku (obrázek 1); baterie pasuje pouze jedním směrem. Vyrovnávací výstupek konektoru baterie (H) směřuje nahoru, přičemž červený vodič musí být vpravo. **(Obrázek 1)**

## 2.4 Průvodce řešením problémů

### 2.4.1 Neuspokojivá srozumitelnost při telefonování

1. Mikrofon telefonu umístěte nahoru k nosu, nikoli pod ústa. Tím se mikrofon vzdálí od zvuku stomie a elektrolaryngu.
2. Snižte hlasitost elektrolaryngu tak, aby byla co nejtíší, ale přitom stále vydávala tón.

### 2.4.2 Jednotka je „mrtvá“, „rozbitá“ nebo „prostě přestala fungovat“

1. Ujistěte se, že knoflík hlasitosti (D) není otočen úplně dolů, čímž se prostředek vypne.
2. Otočte knoflíkem hlasitosti (D) úplně dolů do polohy vypnuto.
3. Lehce stiskněte tlačítko napájení (C) a zvyšte tlak. Pokud se prostředek v průběhu postupu aktivuje a deaktivuje, je třeba prostředek odeslat k výměně. (Viz 2.5.1 Servis a podpora).
4. Pokud se kontrolka LED rozsvítí pokaždé při každém stisknutí tlačítka napájení (C) znamená to, že je v prostředku vybitá baterie a je třeba ji nabít. (TTE/P)
5. Připojte k prostředku již osvědčený kabel micro USB, který je napájen ze sítě. Pokud se zařízení zapne a kontrolka LED bliká, je baterie v prostředku odpojena. Odstraňte víčko baterie a zatlačte konektor kabelu baterie (černý plast, do kterého vedou černé a červené vodiče) hlouběji do krytu.

### 2.4.3 Kontrolka nabíjení (L) se během nabíjení nerozsvítí

1. Otestujte zásuvku pomocí lampy.
2. Ujistěte se, že je kabel micro USB zcela zapojen do zdroje napájení a do prostředku.
3. Zkuste jiný kabel micro USB.
4. Vyzkoušejte jiný zdroj napájení (napájecí zásuvku USB).
5. Otestujte nabíječku a kabel na mobilním telefonu nebo jiném zařízení.

### STP

6. Zkontrolujte, zda je (jsou) baterie dobíjecí. Prostředek nebude nabíjet nenabíjecí baterie.

7. Ujistěte se, že jsou baterie správně vloženy. Zkontrolujte, zda jsou baterie správně orientovány tak, aby + baterie směřovalo k + zdravotního prostředku.

### TTE/P:

8. Připojte k prostředku již osvědčený kabel micro USB, který je napájen, a aktivujte tlačítko napájení (C); pokud se prostředek zapne a kontrolka LED bliká, pak je baterie prostředku odpojena. Odstraňte kryt baterie (G) a zatlačte konektor baterie (H) dále do krytu.

#### 2.4.4 Zvuk jednotky „příliš bzučí“, „zní divně“, „je tlumený“ nebo „není čistý“

1. Ujistěte se, že se zvuková hlava (A) zcela dotýká kůže na krku.
2. Vyzkoušejte jiné místo na krku. (Viz 2.2.7 Umístění elektrolaryngu na krku)
3. Snižte hlasitost (D).
4. Nastavte tón (K).
5. Použijte ústní adaptér (viz Instalace/použití ústního adaptéru a ústní trubice 2.3.4).
6. Zkontrolujte víčko. Pokud se zdá, že se tlačítko zvuku uvolnilo nebo mírně pohnulo, nebo se zdá, že je pěnový kroužek poškozený, je možné, že zařízení potřebuje nový pěnový kroužek.
7. Vyjměte zvukovou hlavu (A) a podívejte se dovnitř.
  - Je uprostřed zvukové hlavy (A) přilepený malý gumový díl? Pokud tomu tak není, je třeba vyměnit zvukové tlačítko. (Viz 2.5.1 Servis a podpora).
  - Zkontrolujte, zda je membrána připevněna ke sloupku cívky. Ujistěte se, že cívka při dotyku volně poskakuje a není na ní cítit drhnutí (obrázek 4)

#### **TTE/P:**

1. Vyzkoušejte volitelnou extra pronikavou zvukovou hlavu (2.3.2 Výměna zvukové hlavy) (obrázek 5).

#### 2.4.5 „Zvuková hlava (A) se rozpadla“ nebo bylo tlačítko zvuku vytaženo z krytky

1. Zkontrolujte, zda není poškozen pěnový kroužek.
2. Pokud nebyl poškozen, lze původní pěnový kroužek znovu použít a sestavit dohromady.
3. Pokud je poškozený, je třeba jej vyměnit.

#### **TTE/P:**

Citlivost senzoru tlačítka může být příliš citlivá. Zkuste jiný, zpravidla nižší, REŽIM.

#### 2.4.6 Tlačítko „je zaseknuté“

1. Přečtete si obecné pokyny pro čištění (2.3.1 Údržba prostředku).
2. Okolí tlačítka napájení očistěte 5–6krát vatovou tyčinkou nebo vatovým tamponem s malým množstvím doporučeného alkoholu (2.3.1 Údržba zařízení) a poté 5–6krát stiskněte tlačítko napájení.
3. Střídavě stiskněte tlačítko napájení a očistěte okolí tlačítka pomocí vatové tyčinky nebo vatového tamponu. Pokračujte, dokud se nepřestane zasekávat.
4. K odstranění nečistot uvízlých ve štěrbině tlačítka napájení použijte kus silnějšího papíru.

#### 2.4.7 Nestálý tón (TTE/P)

Zkuste režim s nižší intenzitou. (Viz 2.2.3 Nastavení režimu)

#### 2.4.8 Nestálá hlasitost (TTE/P)

Zkuste použít režim, který není režimem hlasitosti. (Viz 2.2.3 Nastavení režimu)

#### 2.4.9 Jednotka způsobuje rušení rozhlasového nebo televizního příjmu

1. Přeorientujte nebo přemístěte přijímací anténu.
2. Zvětšete vzdálenost mezi zařízením a přijímačem.
3. Připojte zařízení do zásuvky v jiném obvodu, než ke kterému je připojen přijímač.
4. Poradte se s prodejcem nebo zkušeným radiovým/televizním technikem.

## 2.5 Servis

### 2.5.1 Servis a podpora

Elektrolarynx neobsahuje žádné servisovatelné díly kromě těch, které může pacient vyjmout. Mezi servisní díly patří baterie, zvukové hlavice, distanční vložka zvukové hlavice, pěnový kroužek, ústní adaptér a ústní trubice. Pro podporu k používání nebo údržbu vašeho elektrolarynxu a k objednávání dostupných dílů kontaktujte místního zástupce.

### 2.6 Likvidace

Při likvidaci použitého zdravotnického prostředku vždy postupujte podle lékařské praxe a národních požadavků týkajících se biologického nebezpečí.

### 2.7 Hlášení

Berte prosím na vědomí, že každá závažná příhoda, jež nastala v souvislosti s prostředkem, musí být nahlášena výrobcí a národnímu orgánu země, ve které má uživatel a/nebo pacient bydliště.

## 3. Technické specifikace

Popis	Specifikace
Provozní teplota (pro zachování optimální životnosti baterie)	+5 °C až +25 °C +41 °F až +77 °F
Skladovací a přepravní teplota (pro zachování optimální životnosti baterie)	-20 °C až +25 °C -4 °F až +77 °F
Provozní vlhkost (pro zachování optimální životnosti baterie)	15 % až 93 % relativní vlhkosti, 700 hPa až 1 060 hPa
Skladovací vlhkost	0 % až 45 % relativní vlhkosti
Očekávaná doba životnosti	1–5 let
Příložná část	Příložná část typu BF (celý prostředek)
Režim provozu	30 minut aktivace během 24 hodinového období
Napájecí zdroj	Napájeno vnitřně
Rozměry	Provox SolaTone Plus 118 mm (4,6 palce); Provox TruTone Emote 113 mm (4,5 palce); Provox TruTone Plus 113 mm (4,5 palce).
Hmotnost	Provox SolaTone Plus 130 g (0,29 liber); Provox TruTone Emote 130 g (0,29 liber); Provox TruTone Plus 131 g (0,29 liber)
Specifikace nabíjení	5 V, 750 mA minimálně (nebo 0,75 A minimálně)

## 4. Soulad s předpisy

Přístroj je testován a vyhovuje normě IEC 60601-1-2 s úrovní zkoušek přijatou pro domácí prostředí.

# 1. Általános információ

## 1.1 Rendeltetés

Az elektromos műgége akkumulátorral működő, külsőleg felhelyezhető mesterséges gége, amely hang előállítására szolgál olyan személyeknél, akiknek a gégejük nem használható hangképzésre. Amikor a hangképző szerv környezetében a bőrhez nyomják, vagy egy (szájadapterrel csatlakoztatott) szájadapter-toldalékot a szájüregbe helyeznek, az eszköz mechanikus rezgéseket generál, amelyek a száj- és orrüregben rezonálva a nyelvvel és az ajkakkal normális módon modulálhatók, lehetővé téve ezáltal a beszédképzést.

## 1.2 Ellenjavallatok

Az eszközt kizárólag a használati útmutatónak megfelelően szabad használni. Az eszköz önálló működtetéséhez szükséges fizikai, kognitív vagy mentális képességekkel nem rendelkező felhasználók kizárólag orvos vagy szakképzett ápoló szigorú felügyelete mellett használhatják azt. Az eszközt tilos közvetlenül olyan sérülékeny nyaki szövetre helyezni, amelyben gyengék az érfalak. Ez szövetkárosodást vagy vérzést okozhat. Az ilyen anatómiájú betegek csak akkor használhatják az eszközt, ha az orvos külön megtanította nekik az eszköz használatának módját, és megmutatta a biztonságos alkalmazás pontos helyét.

## 1.3 Az eszköz leírása

Az elektromos műgége akkumulátorral működő, sértetlen bőrfelületre külsőleg felhelyezhető mesterséges gége, amely hang előállítására szolgál olyan személyeknél, akiknek hiányzik a gégejük, vagy a gégejük nem használható hangképzésre.

## 1.4 Biztonsági figyelmeztetések

- A biztonsági figyelmeztetések figyelmen kívül hagyása személyi sérüléshez vagy az eszköz károsodásához vezethet. Az eszköz használatának megkezdése előtt olvassa el az összes itt szereplő biztonsági figyelmeztetést.
- Az eszköz helytelen használata, illetve a jelen használati útmutatóban foglalt utasítások be nem tartása személyi sérüléshez és/vagy az eszköz károsodásához vezethet.
- Ne használja az eszközt több személynél is, mert ez keresztfertőzéshez vezethet. Az eszköz kizárólag egy betegnél való használatra szolgál.
- Ha az eszközt víz vagy más folyadék érte, illetve vízbe vagy folyadékba esett, ne próbálja bekapcsolni, használni vagy tölteni, mert ez személyi sérüléshez és/vagy az eszköz károsodásához vezethet.
- Töltés előtt ellenőrizze a töltő épségét. Károsodott vagy működésképtelen töltőt tilos tovább használni, mert tüzet okozhat, illetve személyi sérüléshez vagy az eszköz károsodásához vezethet.
- Csak jóváhagyott töltőt használjon, mivel nem jóváhagyott töltő használata tüzet okozhat, illetve személyi sérüléshez vagy az eszköz károsodásához vezethet.
- Elemeket ne próbáljon meg tölteni, mert ez személyi sérüléshez vagy az eszköz károsodásához vezethet.
- Az újratölthető akkumulátorokat ne cserélje elemekre, mert ez személyi sérüléshez vagy az eszköz károsodásához vezethet.
- Óvja az akkumulátorokat a fizikai károsodástól, mert ez személyi sérüléshez vagy az eszköz károsodásához vezethet.
- Ne tároljon akkumulátorokat zsebben, pénztárcában, dobozban, fiókban stb., ahol azok egymással vagy valamilyen vezető anyaggal, pl. érmével vagy kulcsokkal érintkezve rövidzárlatot okozhatnak, mert ez személyi sérüléshez vagy az eszköz károsodásához vezethet.

- Ne használjon szivárgó akkumulátorokat, mert ez személyi sérüléshez vagy az eszköz károsodásához vezethet.
- A lítiumakkumulátorokat ne tegye ki a címkéjükön jelöltnél magasabb vagy alacsonyabb hőmérsékletnek, mert ez személyi sérüléshez vagy az eszköz károsodásához vezethet.
- Legyen óvatos az akkumulátorok cseréjekor. Az akkumulátorok helytelen behelyezése veszélyes helyzetet idézhet elő, például túl nagy hőt vagy tüzet okozhat, ami személyi sérüléshez, illetve az eszköz károsodásához vagy más anyagi kárhoz vezethet.
- Az eszköz mágnest tartalmaz, amely olyan mágneses és elektromágneses mezőket generálhat, amelyek zavarhatják a szívritmus-szabályozókat vagy más beültetett eszközöket, illetve negatív hatással lehetnek bizonyos eljárásokra vagy kezelésekre. Tartson legalább 6"/15 cm távolságot az eszköz és bármilyen beültetett orvostechinikai eszköz között. Bármilyen orvosi eljárás vagy kezelés előtt konzultáljon orvosával. Ha az eszköz és bármely beültetett orvostechinikai eszköz között interferencia gyanúja merül fel, hagyja abba az eszköz használatát, és konzultáljon orvosával.
- Ne helyezze az eszköz egyetlen részét vagy tartozékát sem a sztómába, mert ez személyi sérülést okozhat.
- Ne módosítsa az eszközt, mert ez személyi sérüléshez vagy az eszköz károsodásához vezethet.
- Az eszköz kis méretű alkatrészeket tartalmaz, amelyek leválhatnak, és fulladásveszélyt jelenthetnek. Kisgyermekektől távol tartandó.

## 1.5 Óvintézkedések

- Az akkumulátorkupak nyitásakor/visszacsukásakor ügyeljen, nehogy károsodjanak az akkumulátor vezetékai.
- A karbantartási utasítások figyelmen kívül hagyása személyi sérüléshez és/vagy az eszköz károsodásához vezethet.
- Ne használjon megrongálódott, módosított vagy átalakított eszközt, illetve ne kísérelje meg megrongálódott, módosított vagy átalakított eszköz töltését, mert ez személyi sérüléshez vagy az eszköz károsodásához vezethet.
- Az eszköz és az akkumulátorok töltés közben felmelegedhetnek (akár 45 °C/113 °F hőmérsékletre is). Használat előtt hagyja lehűlni az eszközt.
- Az eszköz használat közben felmelegedhet. Tegye meg a szükséges óvintézkedéseket, amikor használat céljából a nyakához helyezi az eszközt.
- Hosszabb ideig tartó használat során a rezgések kényelmetlenséget okozhatnak egyes érzékenyebb felhasználóknak.
- A más eszközökből származó elektromágneses interferencia megzavarhatja vagy leállíthatja az eszköz működését.
- Ügyeljen, nehogy ráharapjon a szájadapter-toldaléokra mert ez károsíthatja a fogait.
- Ne ejtse le az eszközt, mert ez az eszköz károsodását okozhatja.
- A vállproblémákkal élő személyeknél az eszköz használata erőlködés, illetve fáradtság érzését keltheti a vállban/karban.

## 2. Használati útmutató

**Rövidítések:** **TTE** = *Provox TruTone Emote*, **TTP** = *Provox TruTone Plus*, **TTE/P** = *mindkét Provox TruTone termék*, **STP** = *Provox SolaTone Plus*

### 2.1 Tartalom

#### A doboz tartalma

- Elektromos műgége
- Használati útmutató (IFU)
- Szájadapter

- Szájadapter-toldalék
- Mikro-USB-kábel
- Extra éles hangot generáló hangfej (TTE/P)
- 2 db AA típusú NiMH-akkumulátor (STP)
- Pánt

### Az eszköz részei (1. ábra)

- A Hangfej (TTE/P esetén 2 db) (STP esetén 1 db) (hanggombbal és szivacsgyűrűvel)
- B Hangfejtávtartó (TTE/P)
- C Bekapcsológomb (Emotion™ gomb a TTE/P eszközön)
- D Hangerő-szabályozó tekerőgomb
- E Hengeres test
- F Akkumulátor
- G Akkumulátorkupak
- H Akkumulátorcsatlakozó (TTE/P)
- I Szájadapter-toldalék(2 + 2)
- J Szájadapter
- K Hangszínszabályozó (hangmagasság-állító) tekerőgomb
- L LED-jelzőfény
- M ÜZEMMÓDVÁLASZTÓ gomb (TTE/P)
- U USB-csatlakozó porvédő fedele (TTE/P)
- V USB-töltőcsatlakozó

## 2.2 Használati utasítás

### 2.2.1 Hangerő-szabályozás, be- és kikapcsolás

- A hangerő-szabályozó tekerőgombot (D) teljesen letekerve kikapcsolható az eszköz.
- A hangerő-szabályozó tekerőgombot (D) felfelé tekerve bekapcsolható az eszköz és beállítható a hangerő.

### 2.2.2 A hangszín beállítása

- A hangszínszabályozó tekerőgomb (K) tekerésével állítsa be a hangszínt.
- A kezdeti beállítás közben tartsa nyomva a bekapcsológombot (C), hogy hallani tudja a különbséget.
- Ha a bekapcsológomb (C) nyomva tartása nélkül tekeri a hangszínszabályozó tekerőgombot (K), a hangszín beállítása változik ugyan, de nem fogja hallani.

### 2.2.3 Az üzemmód beállítása (TTE/P)

Az üzemmód módosításához előbb vegye le az akkumulátorkupakot, majd nyomja meg egyszerre az üzemmódválasztó gombot (M) és a bekapcsológombot (C). Az üzemmód azonnal megváltozik, de ha továbbra is nyomva tartja a bekapcsológombot, az eszköz sípolással jelzi az új üzemmód beállítását. A hangjelzések száma és a hangjelzés hangszíne jelzi, hogy az eszköz épp melyik üzemmódban van.

A Provox TruTone Emote (TTE) eszköz hat üzemmóddal (1–6.), a Provox TruTone Plus (TTP) pedig két üzemmóddal (1–2.) rendelkezik.

**1–4. üzemmód:** Négy előre beállított tartomány.

- |   |           |
|---|-----------|
| 1. üzemmód – Közel monoton  | 1 sípolás |
| 2. üzemmód – Kismértékű hangszínváltozások –<br>1/2 oktáv tartomány | 2 sípolás |
| 3. üzemmód – Közepes mértékű hangszínváltozások                     | 3 sípolás |
| 4. üzemmód – Nagymértékű hangszínváltozások –<br>2 oktáv tartomány  | 4 sípolás |

**5–6. üzemmód (TTE):** A hangerő-szabályozó üzemmód a hangszín (K) helyett a hangerő szabályozását teszi lehetővé a bekapcsológombbal (C). Ez a hangszínszabályozást nem használó személyek számára hasznos, és a tekerőgomb mozgatása nélküli hangerő-szabályozást tesz lehetővé. A gombot nagyon finoman megérintve „suttoghat”, erőteljesen lenyomva pedig teljes hangerőn szólalhat meg. A hangerő-szabályozó tekerőgomb ilyenkor is korlátozza a maximális hangerőt. Ezen üzemmódok bekapcsolásakor az eszköz állandó hangszínű sípoló hangjelzés helyett egy (emelkedő hangszínű) „hujjogató” hangot ad ki.

5. üzemmód – Alacsony érzékenység – a teljes hangerő nagyobb mértékű nyomást igényel. 2 „hujjogató”
6. üzemmód – Magas érzékenység – a teljes hangerő kisebb mértékű nyomást igényel. 3 „hujjogató”

#### 2.2.4 A hangfej kiválasztása

Ha erős a nyaki szövet, vagy zajos környezetben tartózkodik, a sűrű hangfej használata javasolt, amely élesebb hangot generál. (Lásd 2.3.2 A hangfej cseréje.)

#### 2.2.5 A hangfejtávtartó (B) használata – (TTE/P)

Ha rendszeresen magasabb hangszintet használ, és a hangfejtávtartó nélküli hangminőséget részesíti előnyben, eltávolíthatja a hangfejtávtartót. (Lásd 2.3.3 A hangfejtávtartó felhelyezése/eltávolítása.)

#### 2.2.6 Az akkumulátor töltése

- Húzza el az USB-csatlakozó porvédő fedelének (U) felső szélét. (TTE/P)
- A mikro-USB-kábel egyik végét csatlakoztassa az USB-töltőcsatlakozóhoz (V), a másik végét pedig egy jóváhagyott csatlakozódugón keresztül fali aljzathoz.
- Győződjön meg arról, hogy a LED-jelzőfény (L) folyamatosan világít.
- Energiatakarékosság céljából válassza le az eszközt, amikor a töltés befejeződött. Addig használja az eszközt, amíg csökkeni nem kezd a hangerő, ami jelzi, hogy az akkumulátor töltöttségi szintje 80%-kal csökkent.

#### LED-jelzőfény (L)

- Alacsony akkumulátortöltöttségi szint (TTE/P) – A bekapcsológomb megnyomásakor bekapcsol a jelzőfény, jelezve, hogy rövidesen szükséges az akkumulátor töltése.
- Töltés folyamatban – Folyamatosan világít.
- Teljes feltöltöttség – Villog.

#### 2.2.7 Az elektromos műgége nyakra helyezése

- Helyezze a hangfejet (A) a nyakához, és nyomja meg a bekapcsológombot (C). Ne helyezze az eszköz egyetlen részét vagy tartozékát sem a sztomába.
- Beszéljen úgy, mintha a hang a szájába lenne továbbítva. Ne erőltesse a kilégzést.
- Biztosítson légmentes illeszkedést a hangfej és a nyaka között.
- Próbáljon ki különböző helyeket, amíg el nem éri a legjobb hangzást. Már 3 mm-es / 1/8"-es helyváltoztatás is jelentős hatással lehet a hangerőre.
- Ha egészségügyi okokból nem tud a nyakán keresztül hangátvitelt elérni, illetve nem tudja az eszközt a nyakához helyezni, próbálja ki az arcához helyezést, vagy használja a szájadaptert (lásd 2.3.4 Az opcionális szájadapter/szájadapter-toldalék felhelyezése/használata).
- Az alaphangszín növelése vagy csökkentése javíthatja a hangzást.
- A közepes tartományba eső hangszíneket a legtöbb ember jobban hallja.



## 2.2.8 Az opcionális szájadapter és szájadapter-

### toldalékok

Ha az érzékeny nyaki szövet vagy a túlzott mértékű zümmögés miatt nem megfelelő Önnek a nyaki elhelyezés, használhatja a szájadaptert. (Lásd 2.3.4 A szájadapter/ szájadapter-toldalék felhelyezése/használat.)

## 2.2.9 A bemutató célú használatra vonatkozó irányelvek

### Figyelmeztetés:

A szájadapter, a szájadapter-toldalék és a hangfej csak egy betegnél való használatra szolgál, és nem használható egymás után több betegnél.

### Óvintézkedés:

Minden egyes betegnél való, illetve bemutató célú használat után végezze el az eszköz karbantartását a karbantartási utasítások szerint.

- A bemutató célú használat az eszköz adott betegnél való alkalmazhatóságának megállapítására szolgál.
- A felhasználónak meg kell tisztítania és izopropil-alkohollal (IPA) vagy más alkalmas fertőtlenítőszerrel fertőtlenítenie kell a kezét, vagy kesztyűt kell viselnie.
- A hangfejet (A) (beleértve a hanggombot és a szivacsgyűrűt is) a következő beteg előtt mindig újra kell cserélni és ki kell dobni (lásd 2.3.2 A hangfej cseréje).
- Minden egyes betegnél való használat előtt és után is le kell törölni az eszközt a 2.3.1 Az eszköz karbantartása című szakaszban foglaltak szerint.

## 2.3 Karbantartás és a részegységek cseréje

### 2.3.1 Az eszköz karbantartása

- A felhasználó felelőssége a szükséges karbantartások elvégzése. Minden egyes használat után el kell végezni a karbantartási lépéseket.
- Tiszta, száraz törölkendővel törölje át az eszközt; szükség esetén enyhén benedvesített (nem csöpögő) törölkendőt is használhat. Vizet és kézmosószappant, vagy pedig 50–75%-os izopropil-alkoholt használjon.
- Ügyeljen, nehogy nedvesség jusson az eszközbe.
- Ne használjon elektromos vagy szórófejes tisztítóeszközt.

### 2.3.2 A hangfej cseréje (5. ábra)

A pót hangfejekért forduljon a helyi képviselőhöz.

1. Törölje át az eszközt a 2.3.1 Az eszköz karbantartása című szakaszban foglaltaknak megfelelően. Ügyeljen, hogy csak enyhe nyomást alkalmazzon, és körkörös vagy csavaró mozdulattal törölje le a bekapcsológombot. Miután letörölte az eszköz hengeres testét, törölje le a hangfej kupakját, ügyelve arra, hogy ne alkalmazzon túlzott mértékű nyomást, ami a felső hanggomb kimozdulását okozhatja.
2. Lecsavarva vegye le a hangfejet.
3. Győződjön meg arról, hogy a hangfejtávtartó (B) még mindig a helyén van. Még az új hangfej (A) (TTE/P) felszerelése előtt cserélje ki, ha eltörött vagy hiányzik (lásd 2.3.3 A hangfejtávtartó felhelyezése/eltávolítása).
4. Szerelje fel az új hangfejet (A).

**Óvintézkedés:** Ne vegye ki a hangfej alatti szilikonmembránt. A szilikonmembránt a tekercs/működtetőelem szárán lévő horonyban kell tartani. **(3. ábra)**

**Óvintézkedés:** Ne csavarjon a tekercsen/működtetőelemen. A vezetékeknek lazán kell a tekercs/működtetőelem köré tekeredniük. **(3. ábra)**

### 2.3.3 A hangfejtávtartó felhelyezése/eltávolítása (2. ábra)

1. Csavarja le a hangfejet.
2. Helyezze fel vagy távolítsa el a távtartót.
3. Csavarja vissza a hangfejet.
4. Próbálja ki az eszközt, és hallgassa meg a különböző hangszínek minőségét. Ha inkább a távtartó nélküli hangszínminőséget részesíti előnyben, akkor gondoskodjon a távtartó biztonságos helyen való tárolásáról, például a dobozban, amelyben az eszköz érkezett.

### 2.3.4 A szájadapter/szájadapter-toldalék felhelyezése/használata (3. ábra)

1. Vezesse be a szájadapter-toldalékot (I) a szájadapter (J) tetejébe.

**Óvintézkedés:** Csak ütközésig vezesse be a szájadapter-toldalékot. Gondoskodjon arról, hogy a szájadapter-toldalék ne érjen a kupak területére.

2. Helyezze a szájadaptert a hangfejre (A).

**Óvintézkedés:** Ne csavarja rá.

3. Helyezze a szájadapter-toldalékot a szájába a szája sarkánál.
4. Kapcsolja be az elektromos műgégét. Beszéljen a szájadapter-toldalék körül.

### 2.3.5 Az akkumulátor cseréje

#### **STP:**

Két darab AA méretű, 1,5 V-os nikkell-fémhidrid (NiMH) akkumulátort használjon.

- Helyezze be az akkumulátorokat (F) az STP belsejében látható nyílaknak megfelelően (1. ábra).

#### **TTE/P:**

Kizárólag jóváhagyott lítium-ionos akkumulátort használjon. Vegye fel a kapcsolatot a forgalmazóval, ha további információra van szüksége.

- A szemléltetett módon helyezze be az akkumulátorokat (F) (1. ábra); ez csak egyféleképpen lehetséges. Az akkumulátorcsatlakozó (H) igazítófüle felfelé mutat, a piros drót pedig jobbra. **(1. ábra)**

## 2.4 Hibaelhárítási útmutató

### 2.4.1 Nem kielégítő beszédérthetőség telefonálás közben

1. A telefon mikrofonját tartsa az orra magasságában, ne a szája alatt. Ezzel távolabbra helyezi a mikrofont a sztóma és az elektromos műgége hangjától.
2. Csökkentse az elektromos műgége hangerejét a lehető leghalkábbra, amelynél még képződik hang.

### 2.4.2 Az egység nem reagál, látszólag meghibásodott vagy már nem működik

1. Ellenőrizze, hogy nincs-e teljesen letekerve a hangerő-szabályozó tekerőgomb (D), ez ugyanis kikapcsolja az eszközt.
2. Teljesen tekerje le a hangerő-szabályozó tekerőgombot (D) a kikapcsolt állapotig.
3. Finoman nyomja meg a bekapcsológombot (C), majd növelje a nyomás erősségét. Ha a folyamat során az eszköz be- és kikapcsol, el kell küldeni cseréire. (Lásd 2.5.1 Szerviz és segítségnyújtás.)
4. Ha a LED-jelzőfény a bekapcsológomb (C) minden egyes megnyomásakor világítani kezd, alacsony az eszköz akkumulátorának töltöttségi szintje, és az eszköz töltést igényel. (TTE/P)
5. Jól működő mikro-USB-kábel használatával csatlakoztassa az eszközt áramforráshoz. Ha az eszköz bekapcsol, és a LED-jelzőfény villog, akkor

az eszközben lévő akkumulátor nem csatlakozik megfelelően. Vegye le az akkumulátorkupakot, és nyomja még beljebb az eszköz testébe az akkumulátor kábelcsatlakozóját (a fekete műanyag elemet, amelyhez csatlakozik a fekete és a piros vezeték).

### 2.4.3 A töltésjelző fény (L) nem világít töltés közben

1. Ellenőrizze a fali aljzatot például egy lámpával.
2. Gondoskodjon arról, hogy a mikro-USB-kábel megfelelően csatlakozzon mind az eszközhöz, mind a fali aljzathoz.
3. Próbáljon ki egy másik mikro-USB-kábelt.
4. Próbáljon ki egy másik áramforrást (USB-s fali aljzatot).
5. Tesztelje a töltőt és a kábelt mobiltelefonnal vagy más eszközzel.

#### **STP:**

6. Ellenőrizze, hogy az akkumulátor(ok) újratölthető(k)-e.  
Az eszköz nem tud elemeket tölteni.

7. Ellenőrizze, hogy az akkumulátorok megfelelően vannak-e behelyezve. Ellenőrizze a megfelelő behelyezést: az akkumulátoron lévő + jelölésnek az eszközön látható + jelöléshez kell igazodnia.

#### **TTE/P:**

8. Jól működő mikro-USB-kábel használatával csatlakoztassa az eszközt áramforráshoz, és nyomja meg a bekapcsológombot (C). Ha az eszköz bekapcsol, és a LED-jelzőfény villog, akkor az eszközben lévő akkumulátor nem csatlakozik megfelelően. Vegye le az akkumulátorkupakot (G), és nyomja még beljebb az eszköz testébe az akkumulátorcsatlakozót (H).

### 2.4.4 Túlzott mértékű zümmögés, furcsa hangzás, fojtott hang vagy nem tiszta hangképzés tapasztalható

1. Gondoskodjon arról, hogy a hangfej (A) teljes felületén érintkezzen a nyak bőrével.
2. Próbáljon ki egy más helyet a nyakán. (Lásd 2.2.7 Az elektromos műgége nyakra helyezése.)
3. Csökkentse a hangerőt (D).
4. Állítsa be a hangszínt (K).
5. Használja a szájadaptert (lásd 2.3.4 A szájadapter/szájadapter-toldalék felhelyezése/használat).  
6. Ellenőrizze a kupakot. Ha a hanggomb kilazult vagy enyhén elmozdult, vagy ha a szivacsgyűrű sérültnek tűnik, új szivacsgyűrűt kell az eszközre helyezni.
7. Vegye le a hangfejet (A), és nézzen bele.
  - Lát egy kis méretű gumielemet a hangfej (A) közepére ragasztva? Ha nem, ki kell cserélni az egység hanggombját. (Lásd 2.5.1 Szerviz és segítségnyújtás.)
  - Gondoskodjon arról, hogy a membrán csatlakozzon a tekercs szárához.Gondoskodjon arról, hogy a tekercs érintésre szabadon rugózzon, és ne legyen darabos a mozgása (4. ábra).

#### **TTE/P:**

1. Próbálkozzon az opcionális, extra éles hangot generáló hangfej használatával (lásd 2.3.2 A hangfej cseréje) (5. ábra).

### 2.4.5 A hangfej (A) szétjött, vagy a hanggomb kilazult a kupakból

1. Ellenőrizze a szivacsgyűrű épségét.
2. Ha nem sérült, akkor ismét használható és visszaszerelhető az eredeti szivacsgyűrű.
3. Ha sérült, ki kell cserélni.

## **TTE/P:**

Elképzelhető, hogy a gomb érzékelője túl érzékenyen reagál. Próbálja ki egy másik üzemmódot, lehetőleg mélyebbet vagy halkabbat.

### **2.4.6 A gomb beragad**

1. Kövesse az általános tisztítási tanácsokat (lásd 2.3.1 Az eszköz karbantartása).
2. Nedvesítsen meg egy fültisztítót vagy vattapálcikát kis mennyiségű, ajánlott típusú alkohollal (lásd 2.3.1 Az eszköz karbantartása), és ezzel törölje körbe a bekapcsológombot 5-6 alkalommal, és nyomja meg szintén 5-6 alkalommal a bekapcsológombot.
3. Felváltva végezze a bekapcsológomb megnyomását és a gomb körüli tisztítást a fültisztítóval vagy vattapálcikával. Addig folytassa, amíg már nem ragad be a gomb.
4. Vastagabb papírdarab segítségével távolítsa el a bekapcsológomb körüli részbe szorult szennyeződést.

### **2.4.7 Nem egyenletes hangszín (TTE/P)**

Próbálja ki egy alacsonyabb érzékenyséű üzemmódot. (Lásd 2.2.3 Az üzemmód beállítása.)

### **2.4.8 Nem egyenletes hangerő (TTE/P)**

Próbálja ki egy olyan üzemmódot, amely nincs hatással a hangerőre. (Lásd 2.2.3 Az üzemmód beállítása.)

### **2.4.9 Az egység zavart okoz a rádiós vagy televíziós vételben**

1. Fordítsa el vagy helyezze át a vevőantennát.
2. Növelje az eszköz és a vevő közötti távolságot.
3. Olyan aljzathoz csatlakoztassa az eszközt, amely másik áramkörön van, mint amelyhez a vevő csatlakozik.
4. Segítségért forduljon a márkakereskedőhöz vagy egy tapasztalt rádió-/TV-szerelőhöz.

## **2.5 Szerviz**

### **2.5.1 Szerviz és segítségnyújtás**

Az elektromos műgéje a páciens által eltávolítható alkatrészekon kívül nem tartalmaz más szervizelhető alkatrészeket. A szervizelhető alkatrészek közé tartoznak az akkumulátorok, a hangfej, a hangfejtávtartó, a szivacsgyűrű, a szájadapter és a szájadapter-toldalékok. Az elektromos műgéje használata vagy karbantartása, valamint a rendelkezésre álló alkatrészek megrendelése során segítségért forduljon a helyi képviselőhöz.

## **2.6 Ártalmatlanítás**

Használt orvostechikai eszközök ártalmatlanításakor mindig kövesse a biológiailag veszélyes hulladékok kezelésére vonatkozó egészségügyi gyakorlatot és az országos előírásokat.

## **2.7 Jelentéstételi kötelezettség**

Felhívjuk a figyelmét, hogy az eszközt érintő bármilyen súlyos váratlan eseményt jelenteni kell a gyártónak és a felhasználó és/vagy páciens lakóhelye szerint illetékes ország hatóságának.

### 3. Műszaki adatok

Leírás	Adatok
Üzemi hőmérséklet (az akkumulátor-élettartam optimalizálásához)	+5 °C és +25 °C között +41 °F és +77 °F között
Tárolási és szállítási hőmérséklet (az akkumulátor-élettartam optimalizálásához)	-20 °C és +25 °C között -4 °F és +77 °F között
Üzemi páratartalom (az akkumulátor-élettartam optimalizálásához)	15% és 93% közötti relatív páratartalom, 700 hPa és 1060 hPa között
Tárolási páratartalom	0% és 45% közötti relatív páratartalom
Várható élettartam	1–5 év
Alkalmazott alkatrész	BF típusú alkalmazott alkatrész (a teljes eszköz)
Működési mód	24 órás időtartam alatt 30 perc használat
Tápellátás	Belső tápellátás
Méret	Provox SolaTone Plus 118 mm (4,6 hüvelyk); Provox TruTone Emote 113 mm (4,5 hüvelyk); Provox TruTone Plus 113 mm (4,5 hüvelyk).
Tömeg	Provox SolaTone Plus 130 g (0,29 font); Provox TruTone Emote 130 g (0,29 font); Provox TruTone Plus 131 g (0,29 font)
Töltési adatok	5 V, legalább 750 mA (vagy legalább 0,75 A)

### 4. Megfelelőség

Az eszköz a tesztelés alapján megfelel az IEC 60601-1-2 jelű szabvány lakókörnyezetre érvényes tesztszintjének.

## 1. Popis

### 1.1 Účel použitia

Hlasová protéza slúži ako umelý hrtan napájaný z batérie, ktorý sa aplikuje externe a je určený na používanie v prípade chýbajúcej schopnosti vytvárať zvuk hrtanom. Keď pomôcku priložíte k pokožke v oblasti hrtana alebo keď zasuniete trubicu do ústnej dutiny (s ústnym adaptérom), bude vytvárať mechanické vibrácie, ktoré v ústnej dutine a nosových dutinách rezonujú a môžu byť modulované jazykom a perami ako obvykle, čím sa umožní rozprávanie.

### 1.2 Kontraindikácie

Pomôcku používajte iba v súlade s návodom na použitie. Používatelia, ktorí nemajú fyzické, kognitívne alebo mentálne schopnosti potrebné na to, aby mohli pomôcku obsluhovať sami, by nemali pomôcku používať samostatne a môžu ju používať, iba ak sú pod dostatočným dohľadom lekára alebo vyškoleného ošetrovateľa. Neumiestňujte pomôcku priamo na jemné tkanivo krku so slabými krvnými cievami. Môže to spôsobiť poškodenie tkaniva alebo krvácanie. Pacienti s daným zdravotným stavom môžu pomôcku používať iba vtedy, ak boli výslovne poučení lekárom, ako pomôcku používať a kam ju bezpečne umiestniť.

### 1.3 Opis pomôcky

Hlasová protéza slúži ako umelý hrtan napájaný z batérie, ktorý sa aplikuje externe na neporušenú pokožku a je určený na používanie v prípade neprítomnosti hrtana alebo neschopnosti vytvárať zvuk hrtanom.

### 1.4 Výstrahy

- Nedodržanie bezpečnostných pokynov môže viesť k zraneniu osôb alebo poškodeniu pomôcky. Pred použitím pomôcky si prečítajte všetky bezpečnostné informácie uvedené nižšie.
- Nesprávne používanie pomôcky alebo nedodržanie pokynov uvedených v tomto návode na použitie môže spôsobiť zranenie osôb a/alebo poškodiť pomôcku.
- Pomôcku nepoužívajte viacerí, môže to spôsobiť krížovú kontamináciu. Táto pomôcka je určená na použitie iba u jedného pacienta.
- Nezapínajte, nepoužívajte ani nenabíjajte pomôcku, ak bola vystavená vode či iným tekutinám alebo ak spadla do vody či iných tekutín, pretože to môže spôsobiť zranenie osôb a/alebo poškodenie pomôcky.
- Pred nabíjaním skontrolujte, či nabíjačka nie je poškodená. Poškodená alebo nefunkčná nabíjačka sa nesmie ďalej používať, pretože môže spôsobiť požiar, zranenie osôb alebo poškodenie pomôcky.
- Používajte len schválené nabíjačky, pretože používanie neschválených nabíjačiek môže spôsobiť požiar, zranenie osôb alebo poškodenie pomôcky.
- Nepokúšajte sa nabíjať nenabíjateľné batérie, mohlo by to viesť k zraneniu osôb alebo poškodeniu pomôcky.
- Nevymieňajte nabíjateľné batérie za nenabíjateľné batérie, mohlo by to viesť k zraneniu osôb alebo poškodeniu pomôcky.
- Chráňte batérie pred fyzickým poškodením, mohlo by viesť k zraneniu osôb alebo poškodeniu pomôcky.
- Neuchovávajte batérie vo vrecku, v kabelke, škatuli, zásuvke atď., kde by sa mohli vzájomne skratovať alebo by mohli byť skratované vodivými materiálmi, ako sú mince alebo kľúče, mohlo by to viesť k zraneniu osôb alebo poškodeniu pomôcky.

- Nepoužívajte batériu, z ktorej uniká elektrolyt, mohlo by to viesť k zraneniu osôb alebo poškodeniu pomôcky.
- Lítióvu batériu nevystavujte teplotám mimo teplotných rozsahov uvedených na štítku, mohlo by to viesť k zraneniu osôb alebo poškodeniu pomôcky.
- Pri výmene batérií postupujte obozretne. Nesprávna inštalácia batérií môže viesť k nebezpečnej situácii, napríklad extrémnemu zahriatiu alebo požiaru, ktoré by mohli spôsobiť zranenie osôb alebo poškodenie pomôcky či iného majetku.
- Pomôcka obsahuje magnet, ktorý generuje magnetické a elektromagnetické polia, ktoré môžu rušiť kardiostimulátory alebo iné implantovateľné pomôcky, ako aj určité postupy alebo liečby. Medzi touto pomôckou a všetkými liečebnými implantovanými pomôckami udržiajte minimálnu vzdialenosť 6 palcov/15 cm. Pred akoukoľvek vyšetrovacou procedúrou alebo liečebným zákrokom sa poraďte so svojim lekárom. Ak existuje podozrenie na rušenie medzi touto pomôckou a liečebnými implantovanými pomôckami, prestaňte používať túto pomôcku a poraďte sa so svojim lekárom.
- Žiadnu časť pomôcky ani príslušenstva nezasúvajte do stómie, mohlo by to viesť k zraneniu.
- Pomôcku nijako neupravujte, mohlo by to viesť k zraneniu osôb alebo poškodeniu pomôcky.
- Pomôcka obsahuje malé časti, ktoré sa môžu uvoľniť a spôsobiť riziko udusenía. Uchovávajte mimo dosahu malých detí.

## 1.5 Preventívne opatrenia

- Dávajte pozor, aby ste pri otváraní/zatváraní uzáveru batérie nepoškodili elektroinštaláciu batérie.
- Nedodržanie údržbových pokynov môže viesť k zraneniu osôb a/alebo poškodeniu pomôcky.
- Nikdy nepoužívajte pokazenú, upravenú alebo pozmenenú pomôcku, ani nenabíjajte pokazenú, upravenú alebo pozmenenú pomôcku, mohlo by to viesť k zraneniu osôb a/alebo poškodeniu pomôcky.
- Pomôcka a batérie sa môžu počas nabíjania zahriať (až na 45 °C/113 °F). Pred použitím nechajte pomôcku vychladnúť.
- Pomôcka sa môže počas používania zahriať. Pri prikladaní na krk dodržujte potrebné preventívne opatrenia.
- Pri intenzívnom používaní môžu vibrácie spôsobiť nepríjemné pocity u niektorých citlivých používateľov.
- Pomôcka môže zle fungovať alebo úplne prestať fungovať v dôsledku interferencie elektromagnetického poľa z iných zariadení.
- Dávajte pozor, aby ste nežuľi/nehrýzli ústnu trubicu, pretože by to mohlo spôsobiť poškodenie zubov.
- Dávajte pozor, aby vám pomôcka nespádla, mohla by sa tým poškodiť.
- Pomôcka môže spôsobiť pocit námahy a vysilenia v pleci/paži u osôb, ktoré trpia zhoršenou funkciou v oblasti pleca.

## 2. Pokyny na používanie

**Definície:** **TTE** = *Provox TruTone Emote*, **TTP** = *Provox TruTone Plus*, **TTE/P** = *oba výrobky Provox TruTone*, **STP** = *Provox SoloTone Plus*

### 2.1 Obsah

#### Obsah škatule

- Hlasová protéza
- IFU – návod na použitie
- Ústny adaptér
- Balenie rôznych ústnych trubíc
- Kábel Micro USB

- Extra prenikavá zvuková hlavica (TTE/P)
- 2 nabíjateľné batérie AA NiMH (STP)
- Šnúrka na krk

### Špecifikácia dielov (obrázok 1)

- A. zvuková hlavica (x2 TTE/P) (x1 STP) (vrátane tlačidla zvuku a penového krúžku)
- B. dištančná vložka zvukovej hlavice (TTE/P)
- C. aktivačné tlačidlo (v prípade TTE/P tlačidlo Emotion™)
- D. gombík hlasitosti
- E. telo
- F. batéria
- G. uzáver batérie
- H. konektor batérie (TTE/P)
- I. ústna trubica (2 + 2)
- J. ústny adaptér
- K. gombík na nastavenie tónu (výšky zvuku)
- L. svetelný LED indikátor
- M. tlačidlo REŽIM (TTE/P)
- U. protiprachový kryt zásuvky USB (TTE/P)
- V. nabíjacia zásuvka USB

## 2.2 Prevádzkové pokyny

### 2.2.1 Úroveň hlasitosti a zapnutie

- Pomôcka je vypnutá, ak je gombík hlasitosti (D) otočený úplne nadol.
- Otočením gombíka hlasitosti smerom nahor (D) pomôcku zapnete a upravíte jej úroveň hlasitosti.

### 2.2.2 Úprava tónu

- Tón upravíte otáčaním gombíka na nastavenie tónu (K).
- Pri prvotnom nastavovaní držte stlačené aktivačné tlačidlo (C), aby ste počuli rozdiel v tóne.
- Ak otočíte gombík nastavenia tónu (K) bez stlačeného aktivačného tlačidla (C), tón sa aj tak zmení, ale nebude ho počuť.

### 2.2.3 Nastavenie režimu (TTE/P)

Ak chcete zmeniť režim, odstráňte uzáver batérie a stlačte súčasne tlačidlo režimu (M) aj aktivačné tlačidlo (C). Režim sa zmení ihneď, ale ak budete naďalej držať aktivačné tlačidlo, pomôcka pípnutím indikuje nastavenie nového režimu. Počtom pípnutí a ich tónom sa indikuje, v akom režime sa zariadenie nachádza.

Provox TruTone Emote (TTE) má šesť režimov, 1 – 6, a Provox TruTone Plus (TTP) má dva režimy, 1 – 2.

**Režimy 1 – 4:** Štyri prednastavené rozsahy.

Režim 1 – monotónny	1 pípnutie
Režim 2 – nízke tónové variácie – 1/2-oktávový rozsah	2 pípnutia
Režim 3 – stredné tónové variácie	3 pípnutia
Režim 4 – vysoké tónové variácie – 2-oktávový rozsah	4 pípnutia

**Režimy 5 – 6 (TTE):** Režim hlasitosti vám umožňuje ovládať hlasitosť aktivačným tlačidlom (C) namiesto gombíka tónu (K). To je určené pre ľudí, ktorí nepoužívajú ovládanie tónu, takže môžu ovládať hlasitosť bez použitia gombíka. Veľmi ľahký dotyk vám umožní „šepkať“, zatiaľ čo pri silnom stlačení sa vydáva zvuk s maximálnou hlasitosťou. Gombík ovládania hlasitosti naďalej obmedzuje maximálnu hlasitosť. Po prepnutí do týchto režimov sa generuje „húkajúci“ zvuk (so zvyšujúcim sa tónom) namiesto pípania so stálym tónom.



Režim 5: nízka citlivosť – maximálna hlasitosť  
vyžaduje vyšší tlak.

2 „zahúkania“

Režim 6: vysoká citlivosť – maximálna hlasitosť  
vyžaduje nižší tlak.

3 „zahúkania“

## 2.2.4 Výber zvukovej hlavice

Ak máte tvrdé krčné tkanivo alebo ste v hlučnom prostredí, môžete použiť šedú zvukovú hlavicu, ktorá má prenikavejší zvuk. (Pozri časť 2.3.2 Výmena zvukovej hlavice)

## 2.2.5 Používanie dištančnej vložky zvukovej hlavice (B) – (TTE/P)

Ak pravidelne používate vyšší tón a preferujete tónové vlastnosti bez dištančnej vložky zvukovej hlavice, môžete vložku odstrániť. (Pozri časť 2.3.3 Založiť/odstrániť dištančnú vložku zvukovej hlavice)

## 2.2.6 Nabíjanie batérie

- Vyklopte horný koniec protiprachového krytu zásuvky USB (U). (TTE/P)
- Zapojte kábel micro-USB do nabíjacej zásuvky USB (V) a do schválenej zástrčky na nabíjanie z elektrickej zásuvky.
- Skontrolujte, či svieti svetelný LED indikátor (L).
- Po dokončení nabíjania zariadenie odpojte, aby sa šetrila energia. Používajte dovedy, kým nezačne slabnúť hlasitosť, čo nastane pri vybití na 80 %.

### Svetelný LED indikátor (L)

- Slabá batéria (TTE/P) – indikátor sa rozsvieti, keď stlačíte aktivačné tlačidlo, čím signalizuje, že sa blíži čas nabiť batériu.
- Nabíja sa – indikátor nepretržite svieti.
- Úplne nabité – indikátor bliká.

## 2.2.7 Umiestnenie hlasovej protézy na krku

- Priložte si zvukovú hlavicu (A) ku krku a stlačte aktivačné tlačidlo (C). Žiadnu časť pomôcky ani žiadne príslušenstvo nezasúvajte do stómie.
- Keď budete hovoriť, zvuk sa bude prenášať do vašich úst. Nevytláčajte vzduch von.
- Zaisťte vzduchotesné spojenie medzi zvukovou hlavicom a vašim krkom.
- Vyskúšajte rôzne pozície, až kým nedosiahnete optimálny zvuk. Všimnite si, že aj zmena polohy iba o 3 mm/1/8" môže mať veľký vplyv na hlasitosť zvuku.
- Ak sa vám nedarí dosiahnuť prenos zvuku cez krk alebo si zo zdravotných dôvodov nemôžete pomôcku priložiť ku krku, skúste ju umiestniť na líce alebo použite ústny adaptér (pozri 2.3.4 Inštalácia/použitie voliteľného ústneho adaptéra/trubice).
- Nastavenie vyššieho alebo nižšieho základného tónu môže viesť k lepšiemu hlasu.
- Väčšina ľudí lepšie počuje tóny v strednom rozsahu.

## 2.2.8 Voliteľný ústny adaptér a ústne trubice

Ak vám nevyhovuje umiestnenie na krk z dôvodu citlivého krku alebo nadmerného bzučania, môžete použiť ústny adaptér. (2.3.4 Inštalácia/použitie ústneho adaptéra/trubice)

## 2.2.9 Pokyny na demonštračné použitie

### Výstraha!

Ústny adaptér, ústna trubica a zvuková hlavica sú určené na používanie iba u jedného pacienta a nesmú sa znovu použiť medzi viacerými pacientmi.

### Preventívne opatrenie!

Pomôcku po každom pacientovi a každom demonštračnom použití udržiajte podľa pokynov na údržbu.

- Účelom demonštračného použitia je stanoviť vhodnosť pomôcky pre daného pacienta.
- Používatelia si musia očistiť ruky a dezinfikovať ich izopropylalkoholom (IPA) alebo iným vhodným dezinfekčným prostriedkom, prípadne použiť rukavice.
- Zvukovú hlavicu (A) (vrátane zvukového tlačidla a penového krúžku) je nutné medzi jednotlivými pacientmi vymeniť a zlikvidovať (2.3.2 Výmena zvukovej hlavice).
- Pred každým pacientom a po každom pacientovi sa pomôcka musí utrieť podľa časti 2.3.1 Údržba pomôcky.

## 2.3 Údržba a výmena dielov

### 2.3.1 Údržba pomôcky

- Údržbové činnosti sú na zodpovednosti používateľa. Údržbu je potrebné vykonávať po každom použití.
- Utrite pomôcku čistou suchou handričkou, alebo v prípade potreby mierne vlhkou handričkou (nie presiaknutou). Použite vodu so šetrným mydlom alebo izopropylalkohol 50 – 75 %.
- Dávajte pozor, aby sa do pomôcky nedostala vlhkosť.
- Nepoužívajte elektrické ani rozprašovacie čistiace prostriedky.

### 2.3.2 Výmena zvukovej hlavice (obrázok 5)

Požiadajte svojho miestneho zástupcu o náhradné zvukové hlavice.

1. Utrite pomôcku podľa opisu v časti 2.3.1. Údržba. Keď utierate vypínač, vyvíjajte mierny tlak a utierajte krúživým pohybom. Po utretí tela utrite uzáver zvukovej hlavice a dávajte pozor, aby ste nevyvíjali nadmerný tlak, ktorý by spôsobil uvoľnenie horného tlačidla zvuku.
2. Odskrutkovaním vyberte zvukovú hlavicu.
3. Uistite sa, že dištančná vložka zvukovej hlavice (B) je stále nainštalovaná. Ak je zlomená alebo chýba, pred inštaláciou novej zvukovej hlavice (A) (TTE/P) nasadte novú vložku (pozri 2.3.3 Založiť/odstrániť dištančnú vložku zvukovej hlavice).
4. Nainštalujte novú zvukovú hlavicu (A).

**Preventívne opatrenie:** Neodstraňujte silikónovú membránu pod zvukovou hlavicom. Silikónová membrána by mala zostať v drážke na hriadelci cievky/aktuátora. (obrázok 3)

**Preventívne opatrenie:** Nekrúťte cievku/aktuátor. Drôty by sa mali plynulo vinúť okolo cievky/aktuátora. (obrázok 3)

### 2.3.3 Založiť/odstrániť dištančnú vložku zvukovej hlavice (obrázok 2)

1. Odskrutkujte zvukovú hlavicu.
2. Založte/odstráňte dištančnú vložku.
3. Zvukovú hlavicu naskrutkujte späť.
4. Vyskúšajte zariadenie, pričom počúvajte jeho tónové vlastnosti. Ak dávate prednosť tónovým vlastnostiam bez vložky, uložte vložku na bezpečné miesto, napríklad do škatule, v ktorej ste dostali toto zariadenie.

### 2.3.4 Inštalácia/použitie ústneho adaptéra/trubice (obrázok 3)

1. Do hornej časti ústneho adaptéra (J) vložte ústnu trubicu (I).

**Preventívne opatrenie:** Nezasúvajte ústnu trubicu za zarážku. Dbajte na to, aby trubica nevyčnievala do oblasti uzáveru.

2. Založte ústny adaptér na zvukovú hlavicu (A).

**Preventívne opatrenie:** Nezakrúcajte ho na hlavicu.

3. Vložte si ústnu trubicu do kútiku úst.
4. Aktivujte hlasovú protézu. Hovorte okolo ústnej trubice.

### 2.3.5 Nabíjanie batérie

#### STP

Dva 1,5 V nikel-metal hydridové (NiMH) nabíjateľné AA články.

- Osadte batériu (F) podľa šípok, ktoré sú vo vnútri STP (obrázok 1)

#### TTE/P:

Používajte iba schválené lítium-iónové batérie. Ďalšie informácie získate od distribútorov.

- Vložte batériu (F) tak, ako je znázornené na nákrese (obrázok 1) – dá sa vložiť len jedným smerom. Zarovnávací výstupok na konektore batérie (H) smeruje nahor a červený drôt je vpravo. **(obrázok 1)**

## 2.4 Sprievodca riešením problémov

### 2.4.1 Pri telefonovaní nie je reč uspokojivo zrozumiteľná

1. Mikrofón telefónu umiestnite vyššie, k nosu, nie pod ústa. Tým sa mikrofón vzdiali od stómie a zvuku hlasovej protézy.
2. Znížte hlasitosť hlasovej protézy tak, aby bola úroveň hlasitosti čo najnižšia, ale stále vydávala tón.

### 2.4.2 Zariadenie „nefunkčné“, „pokazené“ alebo „zrazu prestalo fungovať“

1. Skontrolujte, či gombík hlasitosti (D) nie je otočený úplne nadol, čím sa pomôcka vypne.
2. Otočte gombík hlasitosti (D) úplne nadol do vypnutia.
3. Zľahka stlačte aktivačné tlačidlo (C) a zvyšujte vyvíjaný tlak. Ak sa pomôcka v priebehu tohto procesu aktivuje a deaktivuje, pomôcku treba vrátiť na výmenu za novú. (Pozri 2.5.1 Servis a pomoc)
4. Ak sa LED rozsvieti zakaždým, keď stlačíte aktivačné tlačidlo (C), pomôcka má slabú batériu a treba ju nabiť. (TTE/P)
5. Zapojte do pomôcky kábel micro USB, o ktorom viete, že je funkčný, a je zapojený do elektriny. Ak sa pomôcka zapne a LED bliká, batéria pomôcky je odpojená. Odstráňte kryt batérie a zatlačte konektor kábla batérie (čierny plast, do ktorého vedie čierny a červený drôt) hlbšie do puzdra pomôcky.

### 2.4.3 Indikátor nabíjania (L) pri nabíjaní nesvieti

1. Otestujte elektrickú zásuvku pomocou lampy.
2. Skontrolujte, či je kábel micro USB úplne zapojený do napájania a do pomôcky.
3. Skúste použiť iný kábel micro USB.
4. Skúste použiť iné napájanie (USB zásuvku).
5. Otestujte nabíjačku a kábel na mobilnom telefóne alebo inom zariadení.

#### STP

6. Skontrolujte, či je batéria (alebo batérie) nabíjateľná.

Pomôcka nenabíja batérie, ktoré nie sú nabíjateľné.

7. Skontrolujte, či sú batérie správne založené. Skontrolujte, či majú batérie správnu orientáciu a značka + na batérii smeruje k značke + na pomôcke.

#### TTE/P:

8. Zapojte do pomôcky kábel micro USB, o ktorom viete, že je funkčný, a je zapojený do elektriny, a stlačte aktivačné tlačidlo (C). Ak sa pomôcka zapne a LED indikátor bliká, znamená to, že batéria pomôcky je odpojená. Odstráňte kryt batérie (G) a zatlačte konektor batérie (H) hlbšie do puzdra pomôcky.

#### 2.4.4 Zariadenie „príliš bzučí“, „znie zvláštne“, zvuk „je tlmený“ alebo „nie je zreteľný“

1. Uistite sa, že plocha zvukovej hlavice (A) úplne prilieha k pokožke na krku.
2. Skúste iné miesto na krku. (Pozri 2.2.7 Umiestnenie hlasovej protézy na krku)
3. Znížte hlasitosť (D).
4. Upravte nastavenie tónu (K).
5. Použite ústny adaptér (pozri 2.3.4 Inštalácia/použitie ústneho adaptéra a ústnej trubice).
6. Skontrolujte uzáver. Ak sa tlačidlo zvuku zdá byť uvoľnené alebo sa mierne pohlo, prípadne ak sa penový krúžok zdá byť poškodený, pomôcka možno potrebuje nový penový krúžok.
7. Odstráňte zvukovú hlavicu (A) a pozrite sa dovnútra.
  - Je v strede zvukovej hlavice (A) prilepený malý gumový diel? Ak nie, toto zariadenie potrebuje náhradné zvukové tlačidlo. (Pozri 2.5.1 Servis a pomoc)
  - Skontrolujte, či membrána prilieha k stĺpiku cievky. Skontrolujte, či cievka pri dotyku voľne poskakuje a či hmatom nie je cítiť žiadnu zrnitosť (obrázok 4)

#### **TTE/P:**

1. Vyskúšajte voliteľnú extra prenikavú zvukovú hlavicu (2.3.2 Výmena zvukovej hlavice) (obrázok 5)

#### 2.4.5 „Zvuková hlavica (A) sa rozpadla“ alebo tlačidlo zvuku sa vytlačilo von z uzáveru

1. Skontrolujte, či penový krúžok nie je poškodený.
2. Ak nie je poškodený, možno opäť použiť pôvodný penový krúžok a hlavicu poskladať.
3. Ak je poškodený, treba ho vymeniť.

#### **TTE/P:**

Citlivosť senzora tlačidla môže byť príliš vysoká. Skúste iný REŽIM, obyčajne nižší.

#### 2.4.6 Tlačidlo „sa zadrháva“

1. Prečítajte si všeobecné odporúčania o čistení (2.3.1 Údržba pomôcky).
2. Vatovou tyčinkou s malým množstvom odporúčaného alkoholu (2.3.1 Údržba pomôcky) 5- až 6-krát očistite oblasť okolo aktivačného tlačidla a 5- až 6-krát následne stlačte aktivačné tlačidlo.
3. Striedavo stláčajte aktivačné tlačidlo a čistite oblasť okolo tlačidla vatovou tyčinkou. Pokračujte, kým sa tlačidlo neprestane zadrhávať.
4. Kusom hrubšieho papiera odstráňte nečistoty, ktoré uviazli v štrbine aktivačného tlačidla.

#### 2.4.7 Nestály tón (TTE/P)

Skúste použiť režim s nižšou citlivosťou. (Pozri 2.2.3 Nastavenie režimu)

#### 2.4.8 Nestála hlasitosť (TTE/P)

Skúste použiť iný režim než režim hlasitosti. (Pozri 2.2.3 Nastavenie režimu)

#### 2.4.9 Zariadenie spôsobuje rušenie rozhlasového alebo televízneho príjmu

1. zmenou orientácie alebo umiestnenia prijímacej antény,
2. zväčšením odstupu medzi zariadením a prijímačom,
3. pripojením zariadenia do zásuvky v inom okruhu, než v ktorom je pripojený prijímač,
4. ak potrebujete pomoc, obráťte sa na predajcu alebo skúseného rádiového alebo televízneho technika.

## 2.5 Servis

### 2.5.1 Servis a pomoc

Hlasová protéza neobsahuje žiadne opraviteľné diely okrem tých, ktoré je možné odstrániť pacientom. Servisné diely zahŕňajú batérie, zvukovú hlavicu, dištančnú vložku zvukovej hlavice, penový krúžok, ústny adaptér a ústne trubice. Požiadajte svojho miestneho zástupcu o pomoc pri používaní alebo údržbe vašej hlasovej protézy a o objednávku dostupných dielov.

### 2.6 Likvidácia

Pri likvidácii použitej zdravotnickej pomôcky vždy dodržiavajte lekársku prax a vnútroštátne požiadavky týkajúce sa biologických rizík.

### 2.7 Nahlasovanie incidentov

Upozorňujeme, že každý závažný incident, ku ktorému dôjde v súvislosti s touto pomôckou, je nutné nahlásiť výrobcovi a príslušnému vnútroštátnemu orgánu krajiny, v ktorej má používateľ a/alebo pacient bydlisko.

## 3. Technické špecifikácie

Opis	Špecifikácia
Prevádzková teplota (na zachovanie optimálnej životnosti batérie)	+5 °C až +25 °C +41 °F až +77 °F
Teplota pri skladovaní a preprave (na zachovanie optimálnej životnosti batérie)	-20 °C až +25 °C -4 °F až +77 °F
Prevádzková vlhkosť vzduchu (na zachovanie optimálnej životnosti batérie)	15 % až 93 % relatívna vlhkosť, 700 hPa až 1 060 hPa
Vlhkosť vzduchu pri skladovaní	0 % až 45 % relatívna vlhkosť
Očakávaná prevádzková životnosť	1 – 5 rokov
Príložná časť	Príložná časť typu BF (celá pomôcka)
Režim prevádzky	30 minút aktivácie v rámci 24-hodinového intervalu
Zdroj energie	Napájané z vnútorného zdroja
Rozmery	Provox SolaTone Plus 118 mm (4,6 palca); Provox TruTone Emote 113 mm (4,5 palca); Provox TruTone Plus 113 mm (4,5 palca)
Hmotnosť	Provox SolaTone Plus 130 g (0,29 libry); Provox TruTone Emote 130 g (0,29 libry); Provox TruTone Plus 131 g (0,29 libry)
Špecifikácie nabíjania	5 V, minimálne 750 mA (alebo minimálne 0,75 A)

## 4. Dodržiavanie súladu

Pomôcka bola podrobená testom a zodpovedá norme IEC 60601-1-2 so skúšobnou úrovňou prijatou pre domáce prostredie.

# 1. Informacje opisowe

## 1.1 Przeznaczenie

„Sztuczna krtąń” — zewnętrzny generator drgań akustycznych to zasilane bateriami (lub akumulatorami) urządzenie stanowiące sztuczną krtąń, stosowane zewnętrznie i służące do wytwarzania dźwięków w przypadku niemożności użycia krtani w celu ich generowania. Po przyłożeniu urządzenia do skóry w okolicy krtani lub włożeniu rurki do jamy ustnej (z adapterem doustnym) wytwarza ono drgania mechaniczne, które rezonują w jamie ustnej oraz nosowej i mogą być modulowane przez język i usta w normalny sposób, umożliwiając tym samym mowę.

## 1.2 Przeciwwskazania

Urządzenie powinno być używane wyłącznie zgodnie z instrukcją obsługi. Użytkownicy, którzy nie mają zdolności fizycznych, poznawczych lub umysłowych wymaganych do samodzielnej obsługi urządzenia, nie powinni korzystać z urządzenia samodzielnie i powinni korzystać z niego tylko pod wystarczającym nadzorem lekarza lub przeszkolonego opiekuna. Urządzenie nie powinno być stosowane bezpośrednio na delikatnej tkance szyi ze słabymi naczyniami krwionośnymi. Może to spowodować uszkodzenie tkanki lub krwawienie. Pacjenci z takimi problemami powinni używać urządzenia tylko wtedy, gdy zostali wyraźnie poinstruowani przez swojego lekarza o tym, jak bezpiecznie używać urządzenia i gdzie je stosować.

## 1.3 Opis urządzenia

„Sztuczna krtąń” — zewnętrzny generator drgań akustycznych to zasilane bateriami (lub akumulatorami) urządzenie stanowiące sztuczną krtąń, stosowane zewnętrznie na nieuszkodzoną skórę i służące do wytwarzania dźwięków w przypadku braku krtani lub niemożności użycia krtani w celu generowania dźwięków.

## 1.4 Ostrzeżenia

- Nieprzestrzeganie instrukcji bezpieczeństwa może spowodować obrażenia ciała lub uszkodzenie urządzenia. Przed użyciem urządzenia należy przeczytać wszystkie poniższe informacje dotyczące bezpieczeństwa.
- Nieprawidłowe użytkowanie urządzenia lub nieprzestrzeganie instrukcji zawartych w niniejszej instrukcji użycia może spowodować obrażenia ciała i/lub uszkodzenie urządzenia.
- Urządzenie nie może być używane przez różne osoby, ponieważ może to spowodować przenoszenie zakażeń. Urządzenie jest przeznaczone do użytku przez jednego pacjenta.
- Nie włączać, nie używać ani nie ładować urządzenia, jeśli było narażone na działanie wody lub innych płynów, ponieważ może to spowodować obrażenia ciała i/lub uszkodzenie urządzenia.
- Przed ładowaniem należy sprawdzić ładowarkę pod kątem uszkodzeń. Uszkodzonej lub niedziałającej ładowarki nie należy używać, ponieważ może spowodować pożar, obrażenia ciała lub uszkodzenie urządzenia.
- Należy używać wyłącznie zatwierdzonych ładowarek, ponieważ korzystanie z niezatwierdzonych ładowarek może spowodować pożar, obrażenia ciała lub uszkodzenie urządzenia.
- Nie należy podejmować prób ładowania baterii, które nie nadają się do ładowania, ponieważ może to spowodować obrażenia ciała lub uszkodzenie urządzenia.

- Nie należy zastępować baterii akumulatorowych bateriami, które nie nadają się do ładowania, ponieważ może to spowodować obrażenia ciała lub uszkodzenie urządzenia.
- Nie należy uszkadzać baterii/akumulatorów, ponieważ może to spowodować obrażenia ciała lub uszkodzenie urządzenia.
- Nie należy przechowywać baterii/akumulatorów w kieszeni, torebce, pudełku, szufladzie itp., gdzie mogłyby dojść do ich wzajemnego zwarcia lub zwarcia poprzez materiały przewodzące, takie jak monety czy klucze, ponieważ może to spowodować obrażenia ciała lub uszkodzenie urządzenia.
- Nie należy używać baterii/akumulatorów, z których wycieka płyn, ponieważ może to spowodować obrażenia ciała lub uszkodzenie urządzenia.
- Nie należy narażać baterii litowej na działanie temperatur spoza zakresów podanych na etykiecie, ponieważ może to spowodować obrażenia ciała lub uszkodzenie urządzenia.
- Zachować ostrożność podczas wymiany baterii/akumulatorów. Nieprawidłowa instalacja baterii/akumulatorów może doprowadzić do niebezpiecznej sytuacji, takiej jak ekstremalne ciepło lub pożar, co może spowodować obrażenia ciała lub uszkodzenie urządzenia albo innego mienia.
- Niniejsze urządzenie zawiera magnes generujący pola magnetyczne i elektromagnetyczne, które mogą zakłócać działanie stymulatorów serca lub innych urządzeń wszczepialnych, a także przebieg niektórych procedur lub zabiegów. Między niniejszym urządzeniem a wszelkimi wszczepionymi urządzeniami medycznymi należy zachować odległość co najmniej 6 cali / 15 cm. Przed każdym zabiegiem medycznym lub terapią należy skontaktować się z lekarzem. W przypadku podejrzenia występowania zakłóceń między urządzeniem a jakimkolwiek wszczepionym urządzeniem medycznym należy przerwać stosowanie urządzenia i skontaktować się z lekarzem.
- Nie wkładać żadnej części urządzenia ani akcesoriów do stomy, ponieważ może to spowodować obrażenia ciała.
- Nie należy modyfikować urządzenia, ponieważ może to spowodować obrażenia ciała lub uszkodzenie urządzenia.
- Niniejsze urządzenie zawiera małe części, które mogą odpaść i spowodować ryzyko udławienia. Przechowywać z dala od małych dzieci.

## 1.5 Środki ostrożności

- Zachować ostrożność, aby nie uszkodzić okablowania baterii/akumulatorów podczas otwierania/zamykania pokrywy baterii/akumulatorów.
- Nieprzestrzeganie instrukcji dotyczących konserwacji może spowodować obrażenia ciała i/lub uszkodzenie urządzenia.
- Nigdy nie używać uszkodzonego, zmodyfikowanego ani zmienionego urządzenia, ani nie ładować uszkodzonego, zmodyfikowanego bądź zmienionego urządzenia, ponieważ może to spowodować obrażenia ciała i/lub uszkodzenie urządzenia.
- Podczas ładowania urządzenia i baterie/akumulatory mogą się nagrzewać (do 45°C/113°F). Przed użyciem należy odczekać, aż urządzenie ostygnie.
- Urządzenie może nagrzewać się podczas użytkowania. Zachować niezbędne środki ostrożności podczas zakładania na szyję.
- Przy intensywnym lub długotrwałym użytkowaniu wibracje mogą powodować dyskomfort u niektórych wrażliwych użytkowników.
- Urządzenie może działać nieprawidłowo lub przestać działać z powodu zakłóceń pola elektromagnetycznego pochodzących od innych urządzeń.
- Należy uważać, aby nie żuć/gryźć rurki doustnej, ponieważ może to spowodować uszkodzenia zębów.
- Należy uważać, aby nie upuścić urządzenia, ponieważ może to spowodować jego uszkodzenie.
- Urządzenie może powodować uczucie wysiłku i zmęczenia w barku/ramieniu u osób z dysfunkcją barku.

## 2. Instrukcja użycia

**Definicje:** **TTE** = *Provox TruTone Emote*, **TTP** = *Provox TruTone Plus*,  
**TTE/P** = *oba produkty Provox TruTone*, **STP** = *Provox SolaTone Plus*

### 2.1 Zawartość

#### Zawartość pudełka

- „Sztuczna krtań” — zewnętrzny generator drgań akustycznych
- Instrukcja użycia
- Adapter doustny
- Opakowanie różnych rurek doustnych
- Kabel Micro USB
- Głowica dźwiękowa Extra Sharp (TTE/P)
- 2 akumulatory AA NiMH (STP)
- Smycz

#### Specyfikacja części (ilustracja 1)

- A. głowica dźwiękowa (x 2 TTE/P) (x 1 STP) (wraz z membraną dźwiękową i pierścieniem piankowym)
- B. przekładka dystansowa głowicy dźwiękowej (TTE/P)
- C. przycisk zasilania (przycisk Emotion™ w modelu TTE/P)
- D. pokrętło głośności
- E. korpus
- F. bateria/akumulator
- G. nasadka baterii/akumulatora
- H. złącze baterii/akumulatora (TTE/P)
- I. rurka doustna (2 + 2)
- J. adapter doustny
- K. pokrętło regulacji barwy głosu (tonu)
- L. kontrolka LED
- M. przycisk TRYBU (TTE/P)
- U. osłona przeciwpyłowa złącza USB (TTE/P)
- V. gniazdo USB do ładowania

### 2.2 Instrukcja użytkowania

#### 2.2.1 Poziom głośności i zasilanie

- Pokrętło głośności (D) ustawione całkowicie w dół jest wyłączone.
- Urządzenie należy włączyć, a głośność wyregulować, przekręcając pokrętło głośności w górę (D).

#### 2.2.2 Regulacja barwy głosu

- Wyregulować barwę, obracając pokrętło regulacji barwy głosu (K).
- Podczas dokonywania początkowej regulacji należy trzymać wciśnięty przycisk zasilania (C), aby usłyszeć różnice.
- Użycie pokrętła regulacji barwy głosu (K) bez trzymania przycisku zasilania (C) powoduje zmianę barwy głosu, ale bez możliwości jej usłyszenia.

#### 2.2.3 Ustawianie trybu (TTE/P)

Aby zmienić tryb, należy najpierw zdjąć nasadkę baterii/akumulatora, a następnie nacisnąć przycisk trybu (M) i przycisk zasilania (C). Tryb zmieni się od razu, ale jeśli przycisk zasilania będzie nadal wciśnięty, urządzenie wyemituje sygnał dźwiękowy oznaczający nowe ustawienie trybu. Liczba sygnałów dźwiękowych i ich ton wskazuje, w którym trybie działa urządzenie.

Urządzenie Provox TruTone Emote (TTE) jest wyposażone w sześć trybów 1–6, a urządzenie Provox TruTone Plus (TTP) udostępnia dwa tryby 1–2.



**Tryby 1–4:** cztery wstępnie ustawione zakresy.

Tryb 1 — głos prawie jednostajny	1 sygnał dźwiękowy
Tryb 2 — niskie zmiany głosu — zakres 1/2 oktawy	2 sygnały dźwiękowe
Tryb 3 — średnie zmiany głosu	3 sygnały dźwiękowe
Tryb 4 — duże zmiany głosu — zakres 2 oktaw	4 sygnały dźwiękowe

**Tryby 5–6 (TTE):** Tryb głośności umożliwia regulację głośności za pomocą przycisku zasilania (C) zamiast regulacji barwy głosu (K). Tryb ten jest przeznaczony dla osób, które nie używają pokrętła regulacji barwy głosu i umożliwia regulację głośności bez obracania pokrętła. Bardzo lekkie dotknięcie pozwala mówić „szepem”, podczas gdy mocne naciśnięcie powoduje emisję dźwięku o pełnej głośności. Pokrętło regulacji głośności nadal ogranicza maksymalną głośność. Przełączenie na te tryby wskazywane jest dźwiękiem „burczenia” (z narastającą tonacją), a nie stałego sygnału dźwiękowego.

Tryb 5 — niska czułość — pełna głośność wymaga mocniejszego nacisku. 2 „burczenia”

Tryb 6 — wysoka czułość — pełna głośność wymaga słabszego nacisku. 3 „burczenia”

## 2.2.4 Wybór głowicy dźwiękowej

W przypadku stwardniałych tkanek szyi albo w głośnym otoczeniu może być używana szara głowica dźwiękowa ze względu na ostrzejszy dźwięk. (Patrz: 2.3.2 Wymiana głowicy dźwiękowej).

## 2.2.5 Używanie przekładki dystansowej głowicy dźwiękowej (B) — (TTE/P)

Jeśli regularnie używana jest wyższa barwa głosu i preferowane jest brzmienie głosu bez przekładki dystansowej, można zdjąć przekładkę. (Patrz: 2.3.3 Zakładanie/ zdejmowanie przekładki dystansowej głowicy dźwiękowej).

## 2.2.6 Ładowanie akumulatora

- Pociągnąć i wyjąć osłonę przeciwpylową złącza USB (U) w górnej części. (TTE/P)
- Do gniazda ładowania USB (V) podłączyć złącze Micro USB zatwierdzonej ładowarki z wtyczką do gniazda ściennego.
- Sprawdzić, czy świeci się kontrolka LED (L).
- Po zakończeniu ładowania należy odłączyć urządzenie od zasilania, aby oszczędzać energię. Używać akumulatora, aż głośność zacznie się zmniejszać, co oznacza, że jest on rozładowany w 80%.

### Kontrolka LED (L)

- Niski poziom naładowania akumulatora (TTE/P) — kontrolka zapala się po naciśnięciu przycisku zasilania, sygnalizując zbliżający się czas ładowania.
- Ładowanie — światło stałe
- Ładowanie zakończone — światło migające

## 2.2.7 Umieszczenie „sztucznej krtani” — zewnętrznego generatora drgań akustycznych na szyi

- Przyłożyć głowicę dźwiękową (A) do szyi i nacisnąć przycisk zasilania (C). Nie wkładać żadnych części urządzenia ani akcesoriów do stomy.
- Mówić, gdy dźwięk jest przekazywany do ust. Nie wypychać powietrza.
- Upewnić się, że głowica dźwiękowa szczelnie przylega do szyi.
- Wypróbować różne pozycje, aż do uzyskania najlepszego dźwięku.

Uwaga: zmiana położenia nawet o 3 mm / 1/8 cala może mieć duży wpływ na głośność dźwięku.

- Jeśli nie można uzyskać transmisji dźwięku przez szyję lub z przyczyn medycznych nie można przyłożyć urządzenia do szyi, należy spróbować umieścić je na policzku lub użyć adaptera doustnego (patrz: Instalacja/ używanie opcjonalnego adaptera / rurki doustnej (2.3.4)).

- Zmiana podstawowej barwy głosu na wyższą lub niższą umożliwia uzyskanie lepszego głosu.
- Dla większości ludzi lepiej słyszalne są głosy ze średnich zakresów.

## 2.2.8 Opcjonalny adapter doustny i rurki doustne

Jeśli umieszczenie urządzenia na szyi nie odpowiada pacjentowi ze względu na wrażliwą szyję lub nadmierne brzęczenie, można użyć adaptera doustnego. (Instalacja/uzywanie adaptera / rurki doustnej 2.3.4)

## 2.2.9 Wskazówki dotyczące użycia w celu demonstracji

### **Ostrzeżenie!**

Adapter doustny, rurka doustna i głowica dźwiękowa są przeznaczone wyłącznie do użytku przez jednego pacjenta i nie mogą być ponownie używane przez kolejnych pacjentów.

### **Środki ostrożności!**

Po każdym użyciu u pacjenta i w celach demonstracyjnych należy poddać urządzenie czynnościom konserwacyjnym zgodnie z instrukcją konserwacji.

- Użycie w celach demonstracyjnych umożliwia określenie przydatności urządzenia dla pacjenta.
- Użytkownik powinien umyć ręce i zdezynfekować je alkoholem izopropylowym (IPA) lub innym odpowiednim środkiem dezynfekującym, albo powinien nosić rękawiczki.
- Głowica dźwiękowa (A) (wraz z membraną dźwiękową i pierścieniem piankowym) jest wymieniana i wyrzucana po każdym pacjencie (2.3.2 Wymiana głowicy dźwiękowej).
- Urządzenie należy wytrzeć przed i po każdym pacjencie zgodnie z instrukcjami z sekcji 2.3.1 Konserwacja urządzenia.

## 2.3 Konserwacja i wymiana części

### 2.3.1 Konserwacja urządzenia

- Za czynności konserwacyjne odpowiedzialny jest użytkownik. Konserwację należy przeprowadzać po każdym użyciu urządzenia.
- Przetrzeć urządzenie czystą, suchą szmatką lub w razie potrzeby lekko wilgotną szmatką (nie mokrą). Użyć wody z łagodnym mydłem lub alkoholu izopropylowego w stężeniu 50–75%.
- Należy uważać, aby wilgoć nie dostała się do wnętrza urządzenia.
- Nie używać środków czyszczących do urządzeń elektrycznych ani środków czyszczących w sprayu.

### 2.3.2 Wymiana głowicy dźwiękowej (ilustracja 5)

W sprawie wymiany głowic dźwiękowych należy skontaktować się z lokalnym przedstawicielem firmy.

1. Wytrzeć urządzenie, postępując zgodnie z punktem 2.3.1. Konserwacja. Stosować lekki nacisk i przecierać przycisk zasilania ruchem okrężnym lub skrętnym. Po wytarciu korpusu należy wytrzeć nasadkę głowicy dźwiękowej, uważając, aby nie wywierać nadmiernego nacisku, który mógłby spowodować odłączenie górnej membrany dźwiękowej.
2. Zdjąć głowicę dźwiękową, odkręcając ją.
3. Upewnić się, że przekładka dystansowa (B) głowicy dźwiękowej jest nadal zamontowana. Uszkodzoną lub brakującą przekładkę należy wymienić przed zamontowaniem nowej głowicy dźwiękowej (A) (TTE/P) (patrz: 2.3.3 Zakładanie/zdejmowanie przekładki dystansowej głowicy dźwiękowej).
4. Zamontować nową głowicę dźwiękową (A).

**Środki ostrożności:** Nie należy zdejmować silikonowej membrany, która znajduje się pod głowicą dźwiękową. Membrana silikonowa powinna być utrzymywana w rowku na trzpieniu cewki/oscylatora. (Ilustracja 3)

**Środki ostrożności:** Nie skręcać cewki/oscylatora. Przewody powinny gładko nawijać się wokół cewki/oscylatora. (Ilustracja 3)

### 2.3.3 Zakładanie/zdejmowanie przekładki dystansowej głowicy dźwiękowej (Ilustracja 2)

1. Odkręcić głowicę dźwiękową.
2. Założyć/zdjąć przekładkę dystansową.
3. Ponownie przykręcić głowicę dźwiękową.
4. Przetestować urządzenie, słuchając brzmienia głosu. Jeśli jest preferowane brzmienie głosu bez przekładki dystansowej, należy pamiętać o przechowywaniu jej w bezpiecznym miejscu, np. w pudełku dostarczonym z urządzeniem.

### 2.3.4 Instalacja/używanie adaptera / rurki doustnej (Ilustracja 3)

1. Włożyć rurkę doustną (I) do górnej części adaptera doustnego (J).

**Środki ostrożności:** Nie wsuwać rurki doustnej poza ogranicznik. Upewnić się, że rurka nie wystaje w obszar nasadki.

2. Nałożyć adapter doustny na głowicę dźwiękową (A).

**Środki ostrożności:** Podczas nakładania nie wykonywać ruchu wkręcającego.

3. Umieścić rurkę doustną w kąciку ust.
4. Włączyć „sztuczną krtani”. Mówić przy rurce doustnej.

### 2.3.5 Wymiana akumulatorów

#### STP

Dwa ogniwa AA niklowo-metalowo-wodorkowe (NiMH) o napięciu 1,5 V, które można ładować.

- Wprowadzić akumulator (F) zgodnie ze strzałkami umieszczonymi wewnątrz urządzenia STP (Ilustracja 1).

#### TTE/P:

Używać wyłącznie zatwierdzonych akumulatorów litowo-jonowych. W celu uzyskania dalszych informacji należy skontaktować się z dystrybutorami.

- Akumulator (F) instalować w sposób pokazany na rysunku (Ilustracja 1); pasuje on tylko w jeden sposób. Kłapka wyrównania złącza akumulatora (H) jest skierowana w górę, z czerwonym przewodem po prawej stronie. (Ilustracja 1)

## 2.4 Instrukcja rozwiązywania problemów

### 2.4.1 Niezadowolająca zrozumiałość podczas korzystania z telefonu

1. Umieścić mikrofon telefonu przy nosie, nie pod ustami. Dzięki temu mikrofon zostanie odsunięty od stomy i dźwięku „sztucznej krtani” — zewnętrznego generatora drgań akustycznych.
2. Zmniejszyć głośność „sztucznej krtani” — zewnętrznego generatora drgań akustycznych tak, aby poziom głośności był tak cichy, jak to tylko możliwe, ale by w dalszym ciągu generowane były dźwięki.

### 2.4.2 Urządzenie „nie reaguje”, „jest zepsute” lub „po prostu przestało działać”

1. Upewnić się, że pokrętko głośności (D) nie jest obrócone do końca w dół, ponieważ w takim ustawieniu urządzenie jest wyłączone.
2. Obrócić pokrętko głośności (D) całkowicie w dół, aby wyłączyć urządzenie.

3. Lekko nacisnąć przycisk zasilania (C), po czym zwiększyć nacisk. Jeśli podczas tego procesu nastąpi włączenie i wyłączenie urządzenia, należy je odesłać w celu wymiany. (Patrz: 2.5.1 Serwis i wsparcie)
4. Jeśli dioda LED włącza się każdorazowo po naciśnięciu przycisku zasilania (C), oznacza to, że poziom naładowania akumulatora jest niski i należy go naładować. (TTE/P)
5. Do urządzenia podłączyć sprawdzoną ładowarkę ze złączem Micro USB, która jest zasilana. Jeśli nastąpi włączenie urządzenia, a dioda LED będzie migać, oznacza to, że akumulator urządzenia jest odłączony. Należy zdjąć pokrywę akumulatora i wcisnąć złącze kabla akumulatora (czarny plastik, do którego podłączone są czarne i czerwone przewody) dalej do obudowy.

### 2.4.3 Lampka ładowania (L) nie włącza się podczas ładowania

1. Sprawdzić gniazdo zasilania, używając lampy.
2. Upewnić się, że kabel Micro USB jest prawidłowo i całkowicie podłączony do zasilania i urządzenia.
3. Wypróbować inny kabel Micro USB.
4. Wypróbować inne źródło zasilania (gniazdo zasilania USB).
5. Przetestować ładowarkę i kabel na telefonie komórkowym lub innym urządzeniu.

#### STP

6. Upewnić się, że bateria (lub baterie) nadaje się do ponownego ładowania. Urządzenie nie będzie ładować baterii nienadających się do ponownego ładowania.
7. Upewnić się, że akumulatory są prawidłowo włożone. Sprawdzić, czy akumulatory są prawidłowo zorientowane, co oznacza, że biegun + akumulatora powinien być skierowany do bieguna + urządzenia.

#### TTE/P:

8. Do urządzenia podłączyć sprawdzony kabel Micro USB, który jest podłączony do źródła zasilania, a następnie nacisnąć przycisk zasilania (C). Jeśli urządzenie włączy się, a dioda LED mignie, oznacza to, że akumulator urządzenia jest odłączony. Zdjąć pokrywę akumulatora (G) i wcisnąć złącze akumulatora (H) dalej do obudowy.

### 2.4.4 Urządzenie „zbyt mocno brzęczy”, „brzmi śmiesznie”, dźwięk jest „przytłumiony” lub „niewyraźny”

1. Upewnić się, że głowica dźwiękowa (A) jest w pełnym kontakcie ze skórą na szyi.
2. Spróbować w innym miejscu na szyi. (Patrz: 2.2.7 Umieszczenie „sztucznej krtani” — zewnętrznego generatora drgań akustycznych na szyi)
3. Zmniejszyć głośność (D).
4. Wyregulować barwę głosu (K).
5. Użyć adaptera doustnego (patrz Instalacja/używanie adaptera doustnego i rurki doustnej 2.3.4)
6. Sprawdzić pokrywę. Jeśli membrana dźwiękowa wydaje się poluzowana lub lekko się rusza, albo pierścień piankowy wydaje się uszkodzony, urządzenie może wymagać nowego pierścienia piankowego.
7. Zdjąć głowicę dźwiękową (A) i zajrzeć do środka.
  - Czy na środku głowicy dźwiękowej (A) jest przyklejony mały kawałek gumy? Jeśli nie, urządzenie wymaga wymiany membrany dźwiękowej. (Patrz: 2.5.1 Serwis i wsparcie)
  - Upewnić się, że membrana jest przymocowana do trzonka cewki. Upewnić się, że cewka odbija się swobodnie przy dotknięciu i nie są wyczuwalne żadne utrudnienia jej ruchu (Ilustracja 4).

#### TTE/P:

1. Wypróbować opcjonalną głowicę dźwiękową Extra Sharp (2.3.2 Wymiana głowicy dźwiękowej) (ilustracja 5)

## 2.4.5 „Głowica dźwiękowa (A) rozpadła się” lub membrana dźwiękowa została wysunięta z pokrywy

1. Sprawdzić pierścień piankowy pod kątem uszkodzeń.
2. Jeśli nie jest uszkodzony, oryginalny pierścień piankowy może zostać ponownie użyty i z powrotem zamontowany.
3. Jeśli jest uszkodzony, należy go wymienić.

### **TTE/P:**

Czułość czujnika membrany może być zbyt duża. Wypróbować inny TRYB, zazwyczaj o niższej czułości.

## 2.4.6 Przycisk „blokuje się”

1. Przeczytać ogólne wskazówki dotyczące czyszczenia (2.3.1 Konserwacja urządzenia).
2. Użyć bawełnianego wacika z niewielką ilością zalecanego alkoholu (2.3.1 Konserwacja urządzenia), aby oczyścić okolice przycisku zasilania 5–6 razy, a następnie nacisnąć przycisk zasilania 5–6 razy.
3. Naprzemiennie naciskać przycisk zasilania i czyścić jego okolice końcówką wacika. Kontynuować, aż przestanie się blokować.
4. Użyć grubszego kawałka papieru, aby usunąć zanieczyszczenia, które utknęły w szczelinie przycisku zasilania.

## 2.4.7 Niestabilna barwa głosu (TTE/P)

Wypróbować tryb o niższej czułości. (Patrz: 2.2.3 Ustawianie trybu).

## 2.4.8 Niestabilna głośność (TTE/P)

Wypróbować tryb, który nie jest trybem głośności. (Patrz: 2.2.3 Ustawianie trybu).

## 2.4.9 Urządzenie powoduje zakłócenia w odbiorze radiowym lub telewizyjnym

1. Zmienić kierunek lub położenia anteny odbiorczej.
2. Zwiększyć odległość między urządzeniem a odbiornikiem.
3. Podłączyć urządzenie do gniazda w innym obwodzie niż ten, do którego jest podłączony odbiornik.
4. Skontaktować się ze sprzedawcą lub doświadczonym technikiem radiowo-telewizyjnym w celu uzyskania pomocy.

## 2.5 Serwis

### 2.5.1 Serwis i wsparcie

„Sztuczna krtan” nie zawiera żadnych części nadających się do serwisowania innych niż te, które mogą być wyjmowane przez pacjenta. Części podlegające serwisowaniu są następujące: baterie, głowica dźwiękowa, podkładka dystansowa głowicy dźwiękowej, pierścień piankowy, adapter ustny i rurki doustne. W celu uzyskania pomocy w użytkowaniu lub konserwacji „sztucznej krtani” oraz w celu zamawiania dostępnych części należy kontaktować się z lokalnym przedstawicielem firmy.

## 2.6 Usuwanie

Przy usuwaniu używanego wyrobu medycznego należy zawsze postępować zgodnie z praktyką medyczną oraz krajowymi wymogami dotyczącymi zagrożeń biologicznych.

## 2.7 Zgłaszanie

Należy pamiętać, że każde poważne zdarzenie, do którego doszło w związku z urządzeniem, należy zgłosić producentowi i władzom w kraju zamieszkania użytkownika i/lub pacjenta.

### 3. Dane techniczne

Opis	Specyfikacja
Temperatura robocza (w celu utrzymania optymalnej żywotności baterii)	Od +5°C do +25°C Od +41°F do +77°F
Temperatura podczas przechowywania i transportu (w celu utrzymania optymalnej żywotności baterii)	Od -20°C do +25°C Od -4°F do +77°F
Wilgotność robocza (w celu utrzymania optymalnej żywotności baterii)	Od 15% do 93% wilgotności względnej, Od 700 hPa do 1060 hPa
Wilgotność podczas przechowywania	Od 0% do 45% wilgotności względnej
Przewidywany okres użytkowania	1-5 lat
Część aplikacyjna	Część aplikacyjna typu BF (całe urządzenie)
Tryb pracy	30 minut aktywności w okresie 24 godzin
Źródło zasilania	Zasilanie wewnętrzne
Wymiary	Provox SolaTone Plus 118 mm (4,6 cala); Provox TruTone Emote 113 mm (4,5 cala); Provox TruTone Plus 113 mm (4,5 cala)
Masa	Provox SolaTone Plus 130 g (0,29 funta); Provox TruTone Emote 130 g (0,29 funta); Provox TruTone Plus 131 g (0,29 funta)
Dane techniczne ładowania	Min. 5 V, 750 mA (lub min. 0,75 A)

### 4. Zgodność z normami

Urządzenie zostało przetestowane, a testy wykazały jego zgodność z normą IEC 60601-1-2 na poziomie testowym przyjętym dla środowiska mieszkalnego.

## 1. Informații descriptive

### 1.1 Domeniul de utilizare

Un laringofon este un laringe artificial alimentat de la baterie, care se aplică extern, și este destinat producerii de sunete în cazul în care nu se poate folosi laringele. Când este ținut lipit de piele în zona laringelui sau prin introducerea unui tub în cavitatea bucală (cu un adaptor oral), dispozitivul generează vibrații mecanice care rezonază în cavitatea bucală și cavitățile nazale și pot fi modulate de limbă și buze în mod normal, permițând vorbirea.

### 1.2 Contraindicații

Dispozitivul trebuie să fie utilizat numai conform instrucțiunilor de utilizare. Utilizatorii fără abilitatea fizică, cognitivă sau mentală necesară pentru utilizarea individuală a dispozitivului nu trebuie să folosească dispozitivul independent și trebuie să îl utilizeze doar dacă se asigură o supraveghere suficientă de către un clinician sau un îngrijitor instruit. Dispozitivul nu trebuie aplicat direct pe gât dacă țesutul și vasele de sânge ale acestuia sunt slabe. Acest lucru poate provoca leziuni ale țesutului sau sângerări. Pacienții care suferă de această condiție trebuie să folosească dispozitivul doar dacă au primit instrucțiuni specifice de la clinician cu privire la modul de utilizare a dispozitivului și locul aplicării.

### 1.3 Descrierea dispozitivului

Un laringofon este un laringe artificial alimentat de la baterie, care se aplică extern, pe o porțiune nedeteriorată de piele, și este destinat producerii de sunete în cazul în care nu se poate folosi laringele.

### 1.4 Avertismente

- Nerespectarea instrucțiunilor de siguranță poate cauza răniri sau deteriorarea dispozitivului. Citiți toate informațiile de siguranță de mai jos înainte de a utiliza dispozitivul.
- Utilizarea incorectă a dispozitivului sau nerespectarea instrucțiunilor din aceste Instrucțiuni de utilizare poate cauza răniri și/sau deteriorarea dispozitivului.
- Nu utilizați dispozitivul la mai multe persoane, deoarece aceasta poate cauza contaminare încrucișată. Dispozitivul este destinat utilizării la un singur pacient.
- Nu porniți, nu utilizați și nu încărcați dispozitivul dacă acesta a fost expus sau a fost scăpat în apă sau în alte lichide, deoarece poate cauza răniri și/sau deteriorarea dispozitivului.
- Înainte de încărcare, inspecțiați încărcătorul pentru a vedea dacă este deteriorat. Nu folosiți un încărcător deteriorat sau nefuncțional, deoarece poate cauza incendii, răniri sau deteriorarea dispozitivului.
- Utilizați numai încărcătoare aprobate; utilizarea unor încărcătoare neaprobate poate cauza incendii, răniri sau deteriorarea dispozitivului.
- Nu încercați să încărcați baterii nereîncărcabile, deoarece acest lucru poate cauza răniri sau deteriorarea dispozitivului.
- Nu înlocuiți bateriile reîncărcabile cu baterii nereîncărcabile, deoarece acest lucru ar putea cauza răniri sau deteriorarea dispozitivului.
- Nu deteriorați fizic bateriile, deoarece acest lucru poate cauza răniri sau deteriorarea dispozitivului.
- Nu depozitați bateriile în buzunare, poșete, cutii sau sertare unde se pot scurtcircuita între ele sau pot fi scurtcircuitate de materiale conductibile, cum ar fi monede sau chei, deoarece acest lucru poate cauza răniri sau deteriorarea dispozitivului.

- Nu folosiți baterii care prezintă scurgeri, deoarece acest lucru poate cauza răniri sau deteriorarea dispozitivului.
- Nu expuneți bateria cu litiu la temperaturi în afara intervalelor de temperatură specificate pe etichetă, deoarece acest lucru poate cauza răniri sau deteriorarea dispozitivului.
- Fiți atent atunci când înlocuiți bateriile. Instalarea incorectă a bateriilor poate cauza situații periculoase, cum ar fi căldură extremă sau incendiu, și acest lucru poate cauza răniri sau deteriorarea dispozitivului sau a altor bunuri.
- Dispozitivul conține un magnet care generează câmpuri magnetice și electromagnetice care pot cauza interferență cu stimulatoarele cardiace sau alte dispozitive implantabile, precum și cu anumite proceduri și tratamente. Păstrați o distanță minimă de 6 inchi / 15 cm între laringofon și dispozitivele medical implantate. Consultați-vă cu medicul dvs. înainte de orice procedură sau tratament medical. Dacă suspectați că există interferență între acest dispozitiv și orice alt dispozitiv medical implantat, întrerupeți utilizarea și consultați-vă cu medicul dvs.
- Nu introduceți nicio parte a dispozitivului sau a accesoriilor în stomă, deoarece acest lucru ar putea cauza răniri.
- Nu modificați dispozitivul, deoarece acest lucru poate cauza răniri sau deteriorarea dispozitivului.
- Dispozitivul conține componente mici care se pot disloca, ducând astfel la risc de sufocare. A nu se lăsa la îndemâna copiilor.

## 1.5 Precauții

- Aveți grijă să nu deteriorați cablajul bateriei atunci când deschideți/închideți capacul bateriei.
- Nerespectarea instrucțiunilor privind întreținerea poate cauza răniri sau deteriorarea dispozitivului.
- Nu utilizați niciodată un dispozitiv stricat, modificat sau alterat și nu încărcați un dispozitiv stricat, modificat sau alterat, deoarece acest lucru poate cauza răniri și/sau la deteriorarea dispozitivului.
- Dispozitivul și bateriile se pot încălzi (până la 45°C/ 113°F) în timpul încărcării. Lăsați dispozitivul să se răcească înainte de utilizare.
- Dispozitivul se poate încălzi în timpul utilizării. Luați măsurile de precauție necesare atunci când îl puneți pe gât pentru utilizare.
- În cazul unei folosiri prelungite, vibrațiile pot provoca disconfort pentru unii utilizatori sensibili.
- Dispozitivul poate funcționa defectuos sau poate înceta să funcționeze din cauza interferențelor câmpului electromagnetic de la alte dispozitive.
- Aveți grijă să nu mestecați/mușcați din tubul bucal, deoarece acest lucru ar putea cauza leziuni dentare.
- Aveți grijă să nu scăpați dispozitivul, deoarece acesta s-ar putea deteriora.
- Dispozitivul poate provoca o senzație de efort și oboseală la nivelul umărului/brațului pentru persoanele care suferă de disfuncții ale umărului.

## 2. Instrucțiuni de utilizare

**Definiții:** **TTE** = *Provox TruTone Emote*, **TTP** = *Provox TruTone Plus*, **TTE/P** = *ambele produse Provox TruTone*, **STP** = *Provox SolaTone Plus*

### 2.1 Conținut

#### Conținutul cutiei

- Laringofonul
- IFU – Instrucțiuni de utilizare
- Adaptor oral
- Pachet de tuburi orale
- Cablu micro USB



- Capul sonor pentru voce foarte ascutită (TTE/P)
- 2 baterii reîncărcabile AA NiMH (STP)
- Lanyard

### Specificații privind componentele (ilustrația 1)

- A. Cap sonor (x2 TTE/P) (x1 STP) (incluzând butonul pentru sunet și inelul de spumă)
- B. Distanțier pentru capul sonor (TTE/P)
- C. Buton de alimentare (buton Emotion™ pentru TTE/P)
- D. Moletă de reglare a volumului
- E. Corp
- F. Baterie
- G. Capac baterie
- H. Conector baterie (TTE/P)
- I. Tub oral (2 + 2)
- J. Adaptor oral
- K. Moletă de reglare a tonalității (inflexiunii)
- L. Indicator luminos cu LED
- M. Buton pentru MOD (TTE/P)
- U. Capac protector al portului USB (TTE/P)
- V. Port de încărcare USB

## 2.2 Instrucțiuni privind operarea

### 2.2.1 Nivelul volumului și puterea

- Atunci când moleta de reglare a volumului (D) este la minimum, aparatul este oprit.
- Porniți aparatul și reglați volumul rotind în sus moleta de reglare a volumului (D).

### 2.2.2 Reglarea tonului

- Reglați tonul rotind moleta de reglare a tonului (K).
- Țineți apăsat butonul de alimentare (C) în timp ce efectuați reglajul inițial, pentru a auzi diferențele.
- Utilizarea butonului pentru ton (K) fără a ține apăsat butonul de alimentare (C) modifică în continuare tonul, fără ca acesta să poată fi auzit.

### 2.2.3 Setarea modului (TTE/P)

Pentru a schimba modul, scoateți mai întâi capacul bateriei, apoi apăsați simultan pe butonul pentru mod (M) și pe butonul de alimentare (C). Modul se schimbă imediat, însă dacă țineți în continuare apăsat butonul de alimentare, dispozitivul va emite un semnal sonor pentru a indica noua setare pentru mod. Numărul de semnale sonore și tonul acestora indică modul pe care este setat dispozitivul.

Dispozitivul Provox TruTone Emote (TTE) are șase moduri (1-6), iar Provox TruTone Plus (TTP) are două moduri (1- 2).

#### Modurile 1–4: patru intervale presetate.

Modul 1 – Aproape monoton	1 semnal sonor
Modul 2 – Variații tonale reduse – Interval de 1/2 octave	2 semnale sonore
Modul 3 – Variații tonale medii	3 semnale sonore
Modul 4 – Variații tonale înalte – Interval de 2 octave	4 semnale sonore

**Modurile 5-6 (TTE):** Modul pentru volum vă permite să reglați volumul cu butonul de alimentare (C), nu cel pentru ton (K). Acest mod este destinat persoanelor care nu utilizează butonul de control al tonalității și permite reglarea volumului fără rotirea molettei. O atingere foarte ușoară a butonului vă permite să „șoptiți”; apăsați ferm pentru a vorbi volum maxim. Moleta de reglare a volumului limitează în continuare volumul maxim. Schimbarea modurilor nu emite un semnal tonal stabil, ci un sunet „strident” (cu un ton ascendent).

Modul 5 – Sensibilitate redusă – volumul maxim  
necesită o presiune mai mare. 2 semnale „stridente”

Modul 6 – Sensibilitate ridicată – volumul maxim  
necesită o presiune mai mică. 3 semnale „stridente”

## 2.2.4 Alegerea capului sonor

Dacă aveți un țesut dur pe gât sau vă aflați într-un mediu zgomotos. Capul sonor gri poate fi utilizat, el furnizând un sunet mai ascuțit. (Consultați 2.3.2 Înlocuirea capului sonor)

## 2.2.5 Utilizarea distanțierului pentru capul sonor (B) - (TTE/P)

Dacă folosiți în mod regulat un ton mai ridicat și preferați calitățile tonale fără un distanțier pentru cap sonor, îl puteți îndepărta. Consultați 2.3.3 Adăugarea/scoaterea distanțierului pentru capul sonor).

## 2.2.6 Încărcarea bateriei

- Scoateți capacul protector al portului USB (U) din partea de sus. (TTE/P)
  - Introduceți cablul micro USB în mufa de încărcare USB (V), folosind o fișă aprobată pentru încărcare de la perete.
  - Verificați dacă indicatorul luminos cu LED (L) este aprins.
  - Deconectați unitatea după finalizarea încărcării pentru a economisi energia.
- Utilizați dispozitivul până când volumul începe să se reducă la nivelul de 80%.

### Indicator luminos cu LED (L)

- Baterie descărcată (TTE/P) – Lumina se aprinde atunci când apăsați pe butonul de alimentare, semnalizând că se apropie momentul în care este necesară încărcarea.
- Se încarcă – Indicatorul este aprins permanent
- Încărcare finalizată – Indicatorul se aprinde intermitent

## 2.2.7 Poziționarea laringofonului pe gât

- Puneți capul sonor (A) pe gâtul dvs. și activați butonul de alimentare (C). Nu introduceți nicio componentă a dispozitivului și niciun accesoriu în stomă.
- Vorbiți pe măsură ce sunetul se propagă în gura dvs. Nu forțați ieșirea aerului.
- Asigurați un contact etanș între capul sonor și gâtul dvs.
- Încercați diverse poziții până când obțineți sunetul optim. Observați că și o diferență de 3 mm/ 1/8 inchi între poziții poate avea un impact semnificativ asupra volumului sunetului.
- Dacă nu reușiți să obțineți transmiterea sunetului prin gât sau nu puteți plasa dispozitivul pe gât din motive medicale, încercați să plasați dispozitivul pe obraz sau utilizați adaptorul oral (consultați instrucțiunile pentru instalarea/ utilizarea adaptorului/tubului oral opțional, secțiunea 2.3.4)
- Mărirea sau reducerea tonului de bază poate asigura o voce mai bună.
- Tonurile din intervalul mediu sunt percepute mai ușor de majoritatea oamenilor.

## 2.2.8 Adaptorul oral și tuburile orale opționale

Dacă nu vă convine poziționarea pe gât (aveți un gât sensibil sau percepeți un bâzâit excesiv), puteți utiliza adaptorul oral. (Consultați Instalarea/utilizarea adaptorului/tubului oral, secțiunea 2.3.4)

## 2.2.9 Indicații privind utilizarea demonstrativă

### Avertisment!

Adaptorul oral, tubul oral și capul sonor sunt destinate unui singur pacient și trebuie reutilizate de la un pacient la altul.

### Măsuri de precauție:

După fiecare pacient și după orice utilizare demonstrativă, întrețineți dispozitivul în conformitate cu instrucțiunile de întreținere.

- Utilizarea demonstrativă are ca scop să stabiliți dacă dispozitivul este potrivit pentru pacientul dvs.

- Utilizatorii trebuie să își curețe și să își dezinfecteze mâinile cu alcool izopropilic (AIP) sau alt dezinfectant adecvat sau trebuie să folosească mănuși.
- Capul sonor (A) (inclusiv butonul sonor și inelul de spumă) trebuie înlocuite și aruncate după fiecare pacient (consultați 2.3.2 Înlocuirea capului sonor).
- Dispozitivul trebuie șters înainte și după fiecare pacient, în conformitate cu punctul 2.3.1 Întreținerea dispozitivului.

## 2.3 Întreținerea și schimbarea pieselor

### 2.3.1 Întreținerea dispozitivului

- Acțiunile de întreținere sunt responsabilitatea utilizatorului. Întreținerea trebuie efectuată după fiecare utilizare.
- Ștergeți dispozitivul cu o cârpă curată și uscată sau, dacă este necesar, cu o cârpă ușor umedă (nu una udă). Folosiți apă cu un săpun ușor sau cu alcool izopropilic 50–75%.
- Aveți grijă să nu introduceți umezeală în interiorul dispozitivului.
- Nu folosiți agenți de curățare electricei sau spray.

### 2.3.2 Înlocuirea capului sonor (ilustrația 5)

În scopul obținerii de capete sonore de schimb, contactați reprezentantul local.

1. Ștergeți dispozitivul conform punctului 2.3.1. Întreținere. Asigurați-vă că aplicați o presiune ușoară și ștergeți butonul de alimentare folosind mișcări circulare sau de răsucire. După ștergerea corpului, ștergeți capacul capului sonor, având grijă să nu aplicați presiune excesivă care ar putea duce la dislocarea butonului sonor din partea de sus.
2. Scoateți capul sonor prin deșurubare.
3. Asigurați-vă că distanțierul (B) pentru capul sonor este montat. Înlocuiți-l dacă este rupt sau lipsește, înainte de a instala noul cap sonor (A) (TTE/P) (Consultați 2.3.3 Adăugarea/scoaterea distanțierului pentru capul sonor).
4. Instalați un nou cap sonor (A).

**Măsuri de precauție:** Nu îndepărtați diafragma din silicon de sub capul sonor. Diafragma din silicon trebuie menținută în canelura de pe suportul bobinei interioare de generare a sunetului. **(Ilustrația 3)**

**Măsuri de precauție:** Nu răsuciți bobina interioară de generare a sunetului. Firele trebuie să fie înfășurate fără probleme în jurul bobinei interioare de generare a sunetului. **(Ilustrația 3)**

### 2.3.3 Adăugarea/scoaterea distanțierului pentru capul sonor (Ilustrația 2)

1. Deșurubați capul sonor.
2. Adăugați/scoateți distanțierul.
3. Înșurubați la loc capul sonor.
4. Testați dispozitivul, verificând proprietățile tonale. Dacă preferați proprietățile tonale fără distanțier, asigurați-vă că depozitați distanțierul în siguranță, cum ar fi cutia în care a fost furnizat dispozitivul.

### 2.3.4 Instalarea/utilizarea adaptorului/tubului oral (ilustrația 3)

1. Montați tubul oral (I) pe adaptorul oral (J).

**Măsuri de precauție:** nu treceți de opritor la introducerea tubului oral. Asigurați-vă că tubul nu pătrunde în zona capacului.

2. Plasați adaptorul oral peste capul sonor (A).

**Măsuri de precauție:** Nu-l răsuciți.

3. Puneți tubul oral în gură, la colțul acesteia.
4. Activați laringofonul. Vorbiți în jurul tubului oral.

### 2.3.5 Schimbarea bateriei

#### STP

Două baterii de tip AA reîncărcabile, de 1,5 V, cu hidrură de nichel (NiMH).

- Instalați bateria (F) urmând săgețile plasate în interiorul dispozitivului STP (ilustrația 1)

#### TTE/P:

Utilizați numai baterii Li-Ion aprobate. Pentru mai multe informații, contactați distribuitorii.

- Introduceți bateria (F) în modul indicat (Ilustrația 1); aceasta intră într-un singur mod. Limba de aliniere a conectorului bateriei (H) este orientată în sus, cu firul roșu spre dreapta. (Ilustrația 1)

## 2.4 Ghid pentru remedierea defecțiunilor

### 2.4.1 Sunet nesatisfăcător în timpul utilizării telefonului

1. Așezați microfonul telefonului lângă nas, nu sub gură. Astfel, îndepărtați microfonul de stomă și de sunetul laringofonului.
2. Reduceți volumul laringofonului astfel încât nivelul volumului să fie cât mai scăzut posibil, putând fi în continuare auzit.

### 2.4.2 Unitatea „nu funcționează”, „este stricată” sau „tocmai s-a oprit”

1. Asigurați-vă că butonul de volum (D) nu este la minimum, ceea ce ar opri aparatul.
2. Rotiți butonul de volum (D) până la capăt până la poziția oprit.
3. Apăsăți ușor pe butonul de pornire (C) și creșteți presiunea. Dacă dispozitivul se activează și se dezactivează în timpul acestui proces, produsul trebuie trimis spre înlocuire. (Consultați secțiunea 2.5.1 Service și asistență)
4. Dacă LED-ul se aprinde de fiecare dată când apăsați pe butonul de alimentare (C), bateria dispozitivului este descărcată și trebuie încărcată. (TTE/P)
5. Conectați la dispozitiv un cablu micro USB despre care știți că funcționează și care este alimentat. Dacă dispozitivul pornește și LED-ul clipește, bateria dispozitivului este deconectată. Scoateți capacul bateriei și împingeți conectorul cablului bateriei (plasticul negru în care intră firele negru și roșu) mai adânc în carcasă.

### 2.4.3 Lumina de încărcare (L) nu se aprinde în timpul încărcării

1. Testați priza electrică folosind o lampă.
2. Asigurați-vă că cablul micro USB este conectat complet la sursa de alimentare și la dispozitiv.
3. Încercați un alt cablu micro USB.
4. Încercați o altă sursă de alimentare (priză de alimentare USB).
5. Testați încărcătorul și cablul pe un telefon mobil sau pe un alt dispozitiv.

#### STP

6. Asigurați-vă că bateriile sunt reîncărcabile  
Dispozitivul nu încarcă baterii nereîncărcabile.
7. Asigurați-vă că bateriile sunt introduse corect. Verificați dacă bateriile au orientarea corectă, cu semnul + de pe baterie corespunzând semnului + de pe dispozitiv.

#### TTE/P:

8. Conectați la dispozitiv un cablu micro USB despre care știți că funcționează și care este alimentat și activați butonul de alimentare (C), dacă dispozitivul pornește și lumina LED-ului clipește, bateria dispozitivului este deconectată. Scoateți capacul bateriei (G) și împingeți conectorul bateriei (H) mai adânc în carcasă.

#### 2.4.4 Unitatea „bâzâie prea mult”, „sună ciudat”, „este înfundată” sau „nu se aude clar”

1. Asigurați-vă că capul sonor (A) este în contact complet cu pielea de pe gât.
2. Încercați un alt loc pe gât. (Consultați 2.2.7 Poziționarea laringofonului pe gât)
3. Reduceți volumul (D).
4. Reglați tonul (K).
5. Folosiți adaptorul oral (consultați Instalarea/utilizarea adaptorului oral și a tubului oral 2.3.4)
6. Inspectați capacul. Dacă butonul de sunet pare slăbit sau s-a mișcat ușor sau dacă inelul de spumă pare deteriorat, este posibil ca dispozitivul să aibă nevoie de un inel de spumă nou.
7. Scoateți capul sonor (A) și priviți în interior.
  - O mică bucată de cauciuc este lipită în centrul capului sonor (A)? Dacă nu, unitatea are nevoie de un buton de sunet de schimb. (Consultați secțiunea 2.5.1 Service și asistență)
  - Asigurați-vă că diafragma este atașată la stâlpul bobinei. Asigurați-vă că bobina se deplasează liber la atingere și că oferă o senzație de granulație (ilustrația 4)

#### TTE/P:

1. Încercați capul sonor opțional pentru voce foarte ascutită (2.3.2 Înlocuirea capului sonor) (Ilustrația 5)

#### 2.4.5 „Capul de sunet (A) s-a desprins” sau butonul de sunet a fost scos din capac

1. Verificați dacă inelul de spumă este deteriorat.
2. Dacă nu a fost deteriorat, inelul de spumă original poate fi reutilizat și asamblat la loc.
3. În cazul în care este deteriorat, acesta trebuie schimbat.

#### TTE/P:

Este posibil ca sensibilitatea senzorului buton să fie prea mare. Încercați un alt MOD, de obicei unul inferior.

#### 2.4.6 Butonul „se lipește”

1. Citiți sfaturile generale de curățare (2.3.1 Întreținerea dispozitivului).
2. Folosiți un bețișor sau un tampon de bumbac cu o cantitate mică de alcool recomandat (2.3.1 Întreținerea dispozitivului) și curățați în jurul butonului de alimentare de 5–6 ori, apoi apăsați pe butonul de alimentare de 5–6 ori.
3. Alternați apăsarea pe butonul de pornire și curățarea în jurul butonului cu un bețișor sau un tampon de bumbac. Continuați până când nu se mai lipește.
4. Folosiți o bucată mai groasă de hârtie pentru a îndepărta resturile blocate în orificiul butonului de alimentare.

#### 2.4.7 Ton instabil (TTE/P)

Încercați un mod cu un nivel de sensibilitate mai mic. (Consultați secțiunea 2.2.3 Setarea modului)

#### 2.4.8 Volum instabil (TTE/P)

Încercați un mod diferit de modul pentru volum. (Consultați secțiunea 2.2.3 Setarea modului)

#### 2.4.9 Unitatea provoacă interferențe la recepția radio sau TV

1. Reorientați sau mutați antena de recepție.
2. Măriți distanța de separare dintre echipament și dispozitivul receptor.
3. Conectați echipamentul la o priză legată la un circuit diferit de cel la care este conectat dispozitivul receptor.
4. Pentru ajutor, contactați furnizorul sau un tehnician radio/TV cu experiență.

## 2.5 Service

### 2.5.1 Service și asistență

Laringofonul nu conține nicio piesă reparabilă în afara celor care pot fi îndepărtate de pacient. Printre piesele de schimb se numără bateriile, capul sonor, distanțierul pentru capul sonor, inelul din material spumos, adaptorul oral și tuburile orale. Contactați reprezentantul local pentru asistență privind utilizarea sau întreținerea laringofonului și pentru a comanda piesele disponibile.

## 2.6 Eliminarea

Urmați întotdeauna practicile medicale și cerințele naționale privind pericolele biologice când eliminați un dispozitiv medical uzat.

## 2.7 Raportarea

Orice incident grav care a avut loc în legătură cu dispozitivul trebuie raportat producătorului sau autorității naționale din țara în care se află utilizatorul și/sau pacientul.

# 3. Specificații tehnice

Descriere	Specificații
Temperatura de funcționare (pentru a păstra durata de viață optimă a bateriei)	+5°C până la +25°C +41°F până la +77°F
Temperatura de depozitare și transport (pentru a păstra durata de viață optimă a bateriei)	-20°C până la +25°C -4°F până la +77°F
Umiditate de funcționare (pentru a păstra durata de viață optimă a bateriei)	Umiditate relativă între 15% și 93%, 700 hPa până la 1060 hPa
Umiditate de depozitare	Umiditate relativă între 0% și 45%
Durata de viață anticipată	1–5 ani
Componentă aplicată	Componentă aplicată de tip BF (întregul dispozitiv)
Mod de funcționare	30 de minute în stare activă pe o perioadă de 24 de ore
Sursă de alimentare	Alimentare internă
Dimensiuni	Provox SolaTone Plus 118 mm (4,6 inchi); Provox TruTone Emote 113 mm (4,5 inchi); Provox TruTone Plus 113 mm (4,5 inchi).
Greutate	Provox SolaTone Plus 130 g (0,29 livre); Provox TruTone Emote 130 g (0,29 livre); Provox TruTone Plus 131 g (0,29 livre)
Specificații privind încărcarea	5 V, minimum 750 mA (sau minimum 0,75 A)

## 4. Conformitate

Dispozitivul este testat și este conform cu IEC 60601-1-2, cu nivelul de testare adaptat pentru mediul casnic.

# 1. Opisne informacije

## 1.1 Namjena

Elektrolarinks je umjetni larinks s baterijskim napajanjem koji se upotrebljava izvana i namijenjen je za proizvodnju zvuka kada nije moguće upotrijebiti larinks za proizvodnju zvuka. Kada se drži uz kožu u području grkljana ili tako da se cjevčica umetne u usnu šupljinu (s pomoću usnog prilagodnika), uređaj stvara mehaničke vibracije koje odzvanjaju u usnoj i nosnoj šupljini te se mogu modulirati jezikom i usnama na uobičajen način i tako omogućiti proizvodnju govora.

## 1.2 Kontraindikacije

Proizvod se smije koristiti samo u skladu s uputama za upotrebu. Korisnici koji nemaju fizičku, kognitivnu ili mentalnu sposobnost da sami upravljaju uređajem, ne bi trebali koristiti uređaj samostalno i trebali bi ga koristiti samo ako su pod dovoljnim nadzorom kliničkog djelatnika ili obučenog njegovatelja. Uređaj se ne smije izravno nanositi na krhko vratno tkivo sa slabim krvnim žilama. To može uzrokovati oštećenje tkiva ili krvarenje. Pacijenti s tim stanjem smiju upotrebljavati uređaj samo kada im je klinički djelatnik izričito dao upute o tome kako upotrebljavati uređaj i gdje ga mogu sigurno primijeniti.

## 1.3 Opis proizvoda

Elektrolarinks je umjetni larinks s baterijskim napajanjem koji se upotrebljava izvana na neoštećenoj koži i namijenjen je za upotrebu u osoba bez larinksa ili osoba koje ne mogu upotrijebiti larinks za proizvodnju zvuka.

## 1.4 Upozorenja

- Nepridržavanje sigurnosnih uputa može dovesti do ozljeda ili oštećenja uređaja. Prije upotrebe uređaja pročitajte sve sigurnosne informacije navedene u nastavku.
- Nepravilna upotreba uređaja ili nepridržavanje uputa u ovim uputama za upotrebu može uzrokovati ozljede i/ili oštećenje uređaja.
- Nemojte upotrebljavati uređaj na više osoba, to može uzrokovati križnu kontaminaciju. Proizvod je namijenjen upotrebi na samo jednom pacijentu.
- Nemojte uključivati, upotrebljavati ili puniti uređaj ako je bio izložen vodi ili ako je ispušten u vodu ili druge tekućine jer to može uzrokovati tjelesne ozljede i/ili oštetiti uređaj.
- Prije punjenja provjerite je li punjač oštećen. Oštećen ili neispravan punjač više se ne smije upotrebljavati jer može uzrokovati požar, ozljede ili oštećenje uređaja.
- Upotrebljavajte samo odobrene punjače jer upotreba neodobrenih punjača može uzrokovati požar, ozljede ili oštećenje uređaja.
- Nemojte pokušavati puniti nepunjive baterije jer to može dovesti do ozljeda ili oštećenja uređaja.
- Nemojte zamjenjivati punjive baterije nepunjivima jer to može dovesti do ozljeda ili oštećenja uređaja.
- Nemojte fizički oštetiti baterije jer to može dovesti do ozljeda ili oštećenja uređaja.
- Nemojte čuvati baterije u džepu, torbici, kutiji ili ladici itd. gdje može doći do kratkog spoja među njima ili može doći do kratkog spoja putem provodnog materijala kao što su kovanice ili ključevi jer to može dovesti do ozljeda ili oštećenja uređaja.
- Nemojte upotrebljavati baterije kod kojih je došlo do curenja jer to može dovesti do ozljeda ili oštećenja uređaja.

- Nemojte izlagati litijsku bateriju temperaturama izvan temperaturnih raspona koji su navedeni na naljepnici jer to može dovesti do ozljeda ili oštećenja uređaja.
- Budite oprezni prilikom zamjene baterija. Neispravna ugradnja baterija može dovesti do opasnih situacija, poput ekstremne vrućine ili požara, koje mogu dovesti do tjelesnih ozljeda ili oštećenja uređaja ili druge imovine.
- Uređaj sadržava magnet koji stvara magnetska i elektromagnetska polja koja mogu ometati elektrostimulatore srca ili druge ugradive uređaje, kao i određene postupke i vrste liječenja. Uređaj mora biti udaljen najmanje 15 cm / 6 in od bilo kojeg medicinski ugradivog uređaja. Prije svakog medicinskog postupka ili liječenja obavezno savjetujte sa svojim liječnikom. Ako sumnjate na smetnje između uređaja i nekog medicinski ugradivog uređaja, prestanite s upotrebom i savjetujte se sa svojim liječnikom.
- Nemojte umetati nijedan dio uređaja ili dodatnog pribora u stomu jer to može dovesti do ozljeda.
- Nemojte vršiti preinake na uređaju jer to može dovesti do ozljeda ili oštećenja uređaja.
- Uređaj sadržava sitne dijelove koji se mogu odvojiti i predstavljaju opasnost od gušenja. Držite dalje od male djece.

## 1.5 Mjere opreza

- Pazite da ne oštetite ožičenje baterije kada otvarate/zatvarate poklopac baterije.
- Nepridržavanje uputa o održavanju može dovesti do ozljeda i/ili oštećenja uređaja.
- Nikada nemojte upotrebljavati pokvaren, preinačen ili izmijenjen uređaj ili puniti pokvaren, preinačen ili izmijenjen uređaj jer to može dovesti do ozljeda i/ili oštećenja uređaja.
- Uređaj i baterije mogu se zagrijati (do 45 °C / 113 °F) tijekom punjenja. Prije upotrebe pustite da se uređaj ohladi.
- Uređaj se može zagrijati tijekom upotrebe. Poduzmite potrebne mjere opreza prilikom stavljanja na vrat radi upotrebe.
- Tijekom intenzivne upotrebe vibracije mogu uzrokovati nelagodu u osjetljivih korisnika.
- Uređaj se može pokvariti ili prestati raditi zbog smetnji elektromagnetskog polja drugih uređaja.
- Pazite da ne zvačete/grizete usnu cjevčicu jer to može uzrokovati oštećenja zuba.
- Pazite da ne ispustite uređaj jer to može uzrokovati njegovo oštećenje.
- Uređaj može uzrokovati osjećaj napora i zamora u ramenu/ruci u pojedinaca koji imaju disfunkciju ramena.

## 2. Upute za upotrebu

**Definicije:** TTE = *Provox TruTone Emote*, TTP = *Provox TruTone Plus*, TTE/P = *oba proizvoda Provox TruTone*, STP = *Provox SolaTone Plus*

### 2.1 Sadržaj

#### Sadržaj pakiranja

- Elektrolarinks
- Upute za upotrebu
- Usni prilagodnik
- Pakiranje raznih usnih cjevčica
- Mikro USB kabel
- Zvučna glava s iznimno oštrim zvukom (TTE/P)
- 2 punjive baterije AA NiMH (STP)
- Uzica



## Specifikacija dijela (slika 1)

- A. Zvučna glava (x 2 TTE/P) (x 1 STP) (uključujući gumb za zvuk i prsten od pjene)
- B. Držač razmaka zvučne glave (TTE/P)
- C. Gumb za napajanje (gumb Emotion™ u proizvodu TTE/P)
- D. Kotačić za glasnoću
- E. Kućište
- F. Baterija
- G. Poklopac baterije
- H. Priključak za bateriju (TTE/P)
- I. Usna cjevčica (2 + 2)
- J. Usni prilagodnik
- K. Kotačić za prilagodbu tona (visine)
- L. LED svjetlo pokazivača
- M. Gumb za NAČIN RADA (TTE/P)
- U. Poklopac za USB priključak (TTE/P)
- V. USB priključak za punjenje

## 2.2 Upute za rad

### 2.2.1 Razina glasnoće i snaga

- Kada je kotačić za glasnoću (D) spušten do kraja, isključen je.
- Uključite uređaj i podesite glasnoću okretanjem kotačića za glasnoću prema gore (D).

### 2.2.2 Prilagodba tona

- Podesite ton okretanjem kotačića za prilagodbu tona (K).
- Držite gumb za napajanje (C) pritisnutim dok vršite početnu prilagodbu kako biste čuli razlike.
- Upotrebom kotačića za ton (K) bez držanja gumba za napajanje (C) i dalje se mijenja ton, ali ga ne možete čuti.

### 2.2.3 Postavljanje načina rada (TTE/P)

Kako biste promijenili način rada, prvo uklonite poklopac baterije, a zatim pritisnite gumb za način rada (M) i gumb za napajanje (C). Način rada odmah će se promijeniti, a ako nastavite držati gumb za napajanje, uređaj će se oglasiti zvučnim signalom kako bi vas obavijestio o novoj postavci načina rada. Broj i ton zvučnih signala označavaju odabrani način rada.

Provox TruTone Emote (TTE) ima šest načina rada 1 – 6, a Provox TruTone Plus (TTP) ima dva načina rada 1 – 2.

**Načini rada od 1 do 4:** Četiri unaprijed postavljena raspona.

Način rada 1 – gotovo monoton	1 zvučni signal
Način rada 2 – male varijacije tona – raspon od 1/2 oktave	2 zvučna signala
Način rada 3 – srednje tonalne varijacije	3 zvučna signala
Način rada 4 – velike varijacije tona – raspon od 2 oktave	4 zvučna signala

**Načini rada od 5 do 6 (TTE):** Način rada za glasnoću omogućuje vam kontrolu glasnoće s pomoću gumba za napajanje (C) umjesto kotačića za ton (K). Namijenjen je osobama koje ne koriste upravljanje tonom i omogućuje im kontrolu glasnoće bez pomicanja kotačića. Vrlo lagan dodir omogućuje govor „šaptom”, a jakim se pritiskom zvuk reproducira uz maksimalnu glasnoću. Kotačić za kontrolu glasnoće i dalje ograničava maksimalnu glasnoću. Prelaskom iz jednog u drugi način reproducira se „hripav” zvuk (tonom koji se povisuje), a ne signal jednolična tona.

Način 5 – mala osjetljivost – za maksimalnu glasnoću potrebno je jače pritisnuti.      2 „hripava zvuka”

Način 6 – velika osjetljivost – za maksimalnu glasnoću potrebno je slabije pritisnuti.      3 „hripava zvuka”

## 2.2.4 Odabir zvučne glave

Ako imate tvrdo tkivo na vratu ili ste u glasnom okruženju. Siva zvučna glava može se upotrebljavati zbog oštrijeg zvuka. (Pogledajte odjeljak 2.3.2 Zamjena zvučne glave)

## 2.2.5 Upotreba držača razmaka zvučne glave (B) – (TTE/P)

Ako redovito upotrebljavate viši ton i više volite kvalitetu tona bez držača razmaka zvučne glave, možete ga ukloniti. (Pogledajte odjeljak 2.3.3 Dodavanje/uklanjanje držača razmaka zvučne glave)

## 2.2.6 Punjenje baterije

- Izvucite poklopac za USB priključak (U) na gornjem kraju. (TTE/P)
- Umetnite mikro-USB u USB priključak za punjenje (V) s odobrenim utikačem za zidno punjenje.
- Provjerite svijetli li LED svjetlo pokazivača (L).
- Kada punjenje završi, odspojite uređaj da biste očuvali energiju. Koristite dok glasnoća zvuka ne počne opadati, što znači da je baterija 80 % ispražnjena.

## LED svjetlo pokazivača (L)

- Niska baterija (TTE/P) – svjetlo se pali kada pritisnete gumb za napajanje, što označava da se bliži vrijeme za punjenje.
- Punjenje – neprekidno svjetlo.
- Dovršeno punjenje – trepereće svjetlo.

## 2.2.7 Postavljanje elektrolarinksa uz vrat

- Zvučnu glavu (A) postavite uz vrat i aktivirajte gumb za napajanje. Nemojte umetati nijedan dio uređaja ili dodatnog pribora u stomu.
- Govorite dok se zvuk prenosi u usta. Zrak nemojte silom potiskivati van.
- Zvučna glava mora u potpunosti prianjati uz vrat.
- Isprobajte različite položaje dok ne dobijete najbolji zvuk. Napominjemo da čak i promjena položaja od 3 mm / 1/8 in može uvelike utjecati na glasnoću zvuka.
- Ako ne možete postići prijenos zvuka kroz vrat ili ne možete postaviti uređaj uz vrat iz zdravstvenih razloga, pokušajte ga postaviti uz obraz ili upotrijebite usni prilagodnik (pogledajte postavljanje/upotrebu neobaveznog usnog prilagodnika/cijevi u odjeljku 2.3.4).
- Povišavanjem ili snižavanjem osnovnog tona možete reproducirati bolji glas.
- Većina ljudi lakše čuje tonove srednjeg raspona.

## 2.2.8 Dodatni usni prilagodnik i usne cjevčice

Ako vam položaj uz vrat ne odgovara zbog osjetljivog vrata ili prekomjernog zujanja, možete upotrebljavati usni prilagodnik. (Ugradnja/upotreba usnog prilagodnika/cijevi, 2.3.4)

## 2.2.9 Smjernice za pokaznu upotrebu

### Upozorenje!

Usni prilagodnik, usna cjevčica i zvučna glava smiju se upotrebljavati samo na jednom pacijentu i ne smiju se ponovno upotrebljavati na više pacijenata.

### Mjera opreza!

Provedite održavanje uređaja nakon svakog pacijenta i pokazne upotrebe prema uputama za održavanje.

- Pokazna upotreba namijenjena je za utvrđivanje prikladnosti pacijenta za uređaj.
- Korisnici moraju oprati i dezinficirati ruke izopropilnim alkoholom (IPA) ili drugim prikladnim dezinficijensom ili moraju upotrebljavati rukavice.
- Zvučna glava (A) (uključujući gumb za zvuk i prsten od pjene) treba se zamijeniti i odložiti u otpad između upotreba na pojedinačnim pacijentima (2.3.2. Zamjena zvučne glave).
- Uređaj se mora obrisati prije i nakon svakog pacijenta u skladu s odjeljkom 2.3.1 Održavanje uređaja.

## 2.3 Održavanje i zamjena dijelova

### 2.3.1 Održavanje uređaja

- Korisnik je odgovoran za postupke održavanja. Održavanje treba provesti nakon svake upotrebe.
- Prebrišite uređaj čistom, suhom krpom ili, ako je potrebno, blago navlaženom krpom (ne jako namočenom u tekućinu). Upotrijebite vodu s blagim sapunom ili izopropilnim 50 – 75 %-tnim alkoholom.
- Pazite da vlaga ne uđe u uređaj.
- Nemojte upotrebljavati električna sredstva za čišćenje ili sredstva za čišćenje u raspršivaču.

### 2.3.2 Zamjena zvučne glave (slika 5)

Da biste nabavili zamjenske zvučne glave, obratite se lokalnom predstavniku.

1. Prebrišite uređaj u skladu s odjeljkom 2.3.1. Održavanje. Lagano pritisnite i prebrišite gumb za napajanje kružnim ili polukružnim pokretima. Nakon brisanja kućišta prebrišite poklopac zvučne glave pazeći da ne pritisnete prejako da se ne bi pomaknuo gornji gumb za zvuk.
2. Odvijte zvučnu glavu da biste je uklonili.
3. Provjerite je li držač razmaka zvučne glave (B) i dalje postavljen. Zamijenite ga ako je pokvaren ili nedostaje prije ugradnje nove zvučne glave (A) (TTE/P) (Pogledajte odjeljak 2.3.3 Dodavanje/uklanjanje držača razmaka zvučne glave).
4. Ugradite novu zvučnu glavu (A).

**Mjera opreza:** nemojte uklanjati silikonsku membranu ispod zvučne glave. Silikonska membrana mora ostati u utoru na nosaču zavojnice/aktivatora. **(Slika 3)**

**Mjera opreza:** nemojte uvijati zavojnicu/aktivator. Žice moraju biti uredno namotane oko zavojnice/aktivatora. **(Slika 3)**

### 2.3.3 Dodavanje/uklanjanje držača razmaka zvučne glave (slika 2)

1. Odvijte zvučnu glavu.
2. Dodajte/uklonite držač razmaka.
3. Vratite zvučnu glavu.
4. Testirajte uređaj osluškajući boju tonova. Ako vam se više sviđaju boje tonova bez držača razmaka, držač razmaka obavezno spremite na sigurno mjesto, npr. u kutiju u kojoj je uređaj isporučen.

### 2.3.4 Ugradnja/upotreba usnog prilagodnika/cjevčice (slika 3)

1. Usnu cjevčicu (I) umetnite u vrh usnog prilagodnika (J).

**Mjera opreza:** ne umećite usnu cjevčicu dublje od zaustavnika. Provjerite ne proviruje li cjevčica u području poklopca.

2. Usni prilagodnik postavite preko zvučne glave (A).

**Mjera opreza:** nemojte ga uvijati.

3. Usnu cjevčicu stavite u kut usta.
4. Aktivirajte elektrolarinks. Govorite oko usne cjevčice.

### 2.3.5 Zamjena baterije

#### STP

Dvije punjive nikal-metal-hidridne (NiMH) baterije AA od 1,5 V.

- Ugradite bateriju (F) prateći strelice postavljene unutar STP-a (slika 1)

#### TTE/P:

Upotrebljavajte samo odobrene litij-ionske baterije. Obratite se distributerima za dodatne informacije.

- Umetnite bateriju (F) kao što je prikazano (slika 1); može se umetnuti samo u jednom smjeru. Jezičac za poravnanje priključka baterije (H) okrenut je prema gore, s crvenom žicom s desne strane. **(Slika 1)**

## 2.4 Vodič za rješavanje problema

### 2.4.1 Nezadovoljavajuća razumljivost tijekom upotrebe telefona

1. Postavite mikrofon telefona gore, uz nos, a ne ispod usta. Na taj ćete način mikrofon odmaknuti od zvuka stome i elektrolarinksa.
2. Smanjite glasnoću elektrolarinksa tako da razina glasnoće bude što tiša, a da pritom i dalje proizvodi ton.

### 2.4.2 Uređaj „ne reagira”, „potrgan” je ili je „jednostavno prestao raditi”

1. Provjerite da kotačić za glasnoću (D) nije spušten do kraja, čime se isključuje uređaj.
2. Okretanjem spustite kotačić za glasnoću (D) do kraja kako biste isključili zvuk.
3. Lagano pritisnite gumb za napajanje (C) i povećavajte pritisak. Ako se uređaj aktivira i deaktivira tim postupkom, mora se vratiti radi zamjene. (Pogledajte odjeljak 2.5.1 Servis i pomoć)
4. Ako se LED svjetlo upali svaki put kada se pritisne gumb za napajanje (C), baterija uređaja slaba je i treba je napuniti. (TTE/P)
5. Uključite funkcionalan USB kabel koji je priključen u napajanje u uređaj. Ako se uređaj uključi i LED svjetlo zatreperi, baterija uređaja iskopčana je. Skinite poklopac baterije i pritisnite priključak za kabel baterije (crna plastika u koju ulaze crna i crvena žica) dublje u kućište.

### 2.4.3 Svjetlo za punjenje (L) ne uključuje se tijekom punjenja

1. Ispitajte utičnicu svjetiljkom.
2. Provjerite je li mikro USB kabel potpuno ukopčan u napajanje i uređaj.
3. Pokušajte s drugim mikro USB kabelom.
4. Pokušajte s drugim napajanjem (utičnicom za USB).
5. Ispitajte punjač i kabel na mobitelu ili drugom uređaju.

#### **STP**

6. Provjerite je li baterija (ili baterije) punjiva. Uređaj neće puniti nepunjive baterije.
7. Provjerite jesu li baterije ispravno umetnute. Provjerite jesu li baterije pravilno usmjerene tako da je oznaka + na bateriji okrenuta prema oznaci + na uređaju.

#### **TTE/P:**

8. Uključite funkcionalni USB kabel koji je priključen u napajanje u uređaj i aktivirajte gumb za napajanje (C), ako se uređaj uključi i LED svjetlo počne treperiti, iskopčana je baterija uređaja. Skinite poklopac baterije (G) i pritisnite priključak za bateriju (H) dublje u kućište.

### 2.4.4 Uređaj „previše zuji” „zvuči čudno”, „prigušen je” ili „zvuk nije jasan”

1. Provjerite dodiruje li zvučna glava (A) u potpunosti kožu na vratu.
2. Pokušajte s drugim mjestom na vratu. (Pogledajte odjeljak 2.2.7 Postavljanje elektrolarinksa uz vrat)
3. Smanjite glasnoću (D).
4. Podesite ton (K).
5. Upotrijebite usni prilagodnik (pogledajte odjeljak Ugradnja/upotreba usnog prilagodnika i usne cjevčice, 2.3.4).

6. Pregledajte poklopac. Ako se čini da je gumb za zvuk slabo pričvršćen ili se malo pomaknuo ili se čini da je prsten od pjene oštećen, uređaju će možda trebati novi prsten od pjene.

7. Uklonite zvučnu glavu (A) i pogledajte unutra.

• Je li mali gumeni komad zalijepljen u sredini zvučne glave (A)? Ako nije, uređaju je potreban zamjenski gumb za zvuk. (Pogledajte odjeljak 2.5.1 Servis i pomoć)

• Provjerite je li membrana pričvršćena na stupić zavojnice. Pobrinite se da zavojnica slobodno odskakače kada se dodirne i da nema zrnatu strukturu (slika 4)

#### **TTE/P:**

1. Isprobajte neobaveznu zvučnu glavu s iznimno oštrim zvukom (2.3.2 Zamjena zvučne glave) (slika 5)

2.4.5 „Zvučna glava (A) se razdvojila" ili je gumb za zvuk gurnut iz poklopca

1. Provjerite je li prsten od pjene oštećen.

2. Ako nije oštećen, originalni prsten od pjene može se ponovno upotrijebiti i sastaviti.

3. Ako je oštećen, potrebno ga je zamijeniti.

#### **TTE/P:**

Osjetljivost gumba-senzora može biti prevelika. Pokušajte s drugim NAČINOM RADA, obično nižim načinom rada.

2.4.6 Gumb je „zaglavio"

1. Pročitajte opće savjete za čišćenje (2.3.1 Održavanje uređaja).

2. Upotrijebite pamučni štapić s malom količinom preporučenog alkohola (2.3.1 Održavanje uređaja) da biste očistili područje oko gumba za napajanje 5 – 6 puta, a zatim pritisnite tipku za napajanje 5 – 6 puta.

3. Naizmjenično pritisnite gumb za napajanje i čistite oko njega pamučnim štapićem. Nastavite dok se ne prestane zaglavljivati.

4. Upotrijebite deblji komad papira da biste uklonili nečistoće zaglavljene u procjepu gumba za napajanje.

2.4.7 Neujednačen ton (TTE/P)

Isprobajte način rada s nižom osjetljivošću. (Pogledajte odjeljak 2.2.3 Postavljanje načina rada)

2.4.8 Neujednačena glasnoća (TTE/P)

Isprobajte neki drugi način rada osim načina rada za glasnoću. (Pogledajte odjeljak 2.2.3 Postavljanje načina rada)

2.4.9 Uređaj izaziva smetnje radijskom ili televizijskom prijemu

1. Preusmjerite ili premjestite prijamnu antenu.

2. Povećajte razmak između opreme i prijarnika.

3. Priključite opremu u utičnicu koja se ne nalazi u istom strujnom krugu kao prijarnik.

4. Za pomoć se obratite prodavaču ili iskusnom radijskom ili TV tehničaru.

## 2.5 Servis

### 2.5.1 Servis i pomoć

Elektrolarinks ne sadrži dijelove koji se mogu servisirati, osim onih koje može ukloniti sam pacijent. Servisni dijelovi obuhvaćaju baterije, zvučnu glavu, držač razmaka zvučne glave, prsten od pjene, usni prilagodnik i usne cjevčice. Kad vam je potrebna pomoć pri upotrebi ili održavanju elektrolarinksa i kad želite naručiti dostupne dijelove, obratite se lokalnom predstavniku.

## 2.6 Odlaganje

Uvijek slijedite medicinsku praksu i nacionalne propise o odlaganju opasnog otpada kada bacate medicinski proizvod.

## 2.7 Prijava problema

Imajte na umu da će se svaki ozbiljan štetni događaj koji nastane u vezi s ovim proizvodom prijaviti proizvođaču i nacionalnom tijelu države u kojoj se korisnik i/ili pacijent nalazi.

## 3. Tehničke specifikacije

Opis	Specifikacija
Radna temperatura (za očuvanje optimalnog vijeka trajanja baterije)	od + 5 °C do + 25 °C od + 41 °F do + 77 °F
Temperatura za skladištenje i prijevoz (za očuvanje optimalnog vijeka trajanja baterije)	od -20 °C do +25 °C od -4 °F do +77 °F
Radna vlažnost (za očuvanje optimalnog vijeka trajanja baterije)	od 15 % do 93 % relativne vlažnosti, od 700 hPa do 1060 hPa
Vlažnost za skladištenje	od 0 % do 45 % relativne vlažnosti
Očekivani vijek trajanja	1 – 5 godina
Primijenjeni dio	Primijenjeni dio tipa BF (cijeli proizvod)
Način rada	30 minuta aktivacije tijekom 24-satnog razdoblja
Izvor napajanja	Unutarnje napajanje
Dimenzije	Provox SolaTone Plus 118 mm (4,6 inča); Provox TruTone Emote 113 mm (4,5 inča); Provox TruTone Plus 113 mm (4,5 inča)
Težina	Provox SolaTone Plus 130 g (0,29 funti); Provox TruTone Emote 130 g (0,29 funti); Provox TruTone Plus 131 g (0,29 funti)
Specifikacije punjača	5 V, minimalno 750 mA (ili minimalno 0,75 A)

## 4. Usklađenost

Uređaj je ispitivan i usklađen s normom IEC 60601-1-2 s razinom ispitivanja koja je usvojena za stambeno okruženje.

## 1. Περιγραφικές πληροφορίες

### 1.1 Προβλεπόμενη χρήση

Το λαρυγγόφωνο είναι ένας τεχνητός λάρυγγας που λειτουργεί με μπαταρίες και εφαρμόζεται εξωτερικά και προορίζεται για χρήση σε περιπτώσεις όπου δεν υπάρχει δυνατότητα χρήσης του λάρυγγα, για την παραγωγή ήχου. Όταν διατηρείται πάνω στο δέρμα, στην περιοχή του λάρυγγα ή με εισαγωγή ενός σωλήνα στη στοματική κοιλότητα (με προσαρμογέα στόματος), η συσκευή δημιουργεί μηχανικές δονήσεις, οι οποίες αντηχούν στη στοματική και τη ρινική κοιλότητα, και μπορούν να διαμορφωθούν από τη γλώσσα και τα χείλη με φυσιολογικό τρόπο, επιτρέποντας έτσι την παραγωγή ομιλίας.

### 1.2 ΑΝΤΕΝΔΕΙΞΙΣ

Η συσκευή θα πρέπει να χρησιμοποιείται μόνο σύμφωνα με τις οδηγίες χρήσης. Οι χρήστες που δεν διαθέτουν τη φυσική, πνευματική ή νοητική ικανότητα που απαιτείται ώστε να πραγματοποιήσουν οι ίδιοι τη λειτουργία της συσκευής, δεν πρέπει να χρησιμοποιούν μόνοι τους τη συσκευή και θα πρέπει να τη χρησιμοποιούν μόνο υπό επαρκή επίβλεψη ιατρού ή εκπαιδευμένου φροντιστή. Η συσκευή δεν πρέπει να εφαρμόζεται απευθείας πάνω σε ευαίσθητο ιστό του λαϊμού με αδύναμα αιμοφόρα αγγεία. Αυτό μπορεί να προκαλέσει βλάβη των ιστών ή αιμορραγία. Οι ασθενείς με αυτή την πάθηση θα πρέπει να χρησιμοποιούν τη συσκευή μόνο όταν έχουν λάβει συγκεκριμένες οδηγίες από τον ιατρό τους σχετικά με τον τρόπο χρήσης της συσκευής και το σημείο ασφαλούς εφαρμογής της.

### 1.3 Περιγραφή της συσκευής

Το λαρυγγόφωνο είναι ένας τεχνητός λάρυγγας που λειτουργεί με μπαταρίες και εφαρμόζεται εξωτερικά σε άθικτο δέρμα που προορίζεται για χρήση σε περιπτώσεις όπου δεν υπάρχει λάρυγγας ή όταν υπάρχει αδυναμία χρήσης του λάρυγγα, για την παραγωγή ήχου.

### 1.4 Προειδοποιήσεις

- Εάν δεν ακολουθήσετε τις οδηγίες ασφαλείας, μπορεί να προκληθεί τραυματισμός ατόμων ή ζημιά στη συσκευή. Διαβάστε όλες τις παρακάτω πληροφορίες ασφαλείας πριν από τη χρήση της συσκευής.
- Με την εσφαλμένη χρήση της συσκευής ή η μη τήρηση των οδηγιών που περιέχονται σε αυτές τις οδηγίες χρήσης, μπορεί να προκληθεί τραυματισμός ατόμων ή/και ζημιά στη συσκευή.
- Μη χρησιμοποιείτε τη συσκευή μεταξύ ατόμων, καθώς μπορεί να προκληθεί διασταυρούμενη επιμόλυνση. Η συσκευή προορίζεται για χρήση σε έναν μόνο ασθενή.
- Μην ενεργοποιείτε ή χρησιμοποιείτε ή φορτίζετε τη συσκευή εάν έχει εκτεθεί ή έχει πέσει σε νερό ή άλλα υγρά, καθώς μπορεί να προκληθεί τραυματισμός ατόμων ή/και ζημιά στη συσκευή.
- Πριν από τη φόρτιση, επιθεωρήστε τον φορτιστή για τυχόν ζημιές. Ένας φορτιστής που έχει υποστεί ζημιά ή δεν λειτουργεί δεν πρέπει να χρησιμοποιείται πλέον, καθώς μπορεί να προκληθεί πυρκαγιά, τραυματισμός ατόμων ή ζημιά στη συσκευή.
- Χρησιμοποιείτε μόνο εγκεκριμένους φορτιστές, καθώς με τη χρήση μη εγκεκριμένων φορτιστών μπορεί να προκληθεί πυρκαγιά, τραυματισμός ατόμων ή ζημιά στη συσκευή.
- Μην επιχειρήσετε να φορτίσετε μη επαναφορτιζόμενες μπαταρίες, καθώς μπορεί να προκληθεί τραυματισμός ατόμων ή ζημιά στη συσκευή.

- Μην αντικαθιστάτε τις επαναφορτιζόμενες μπαταρίες με μη επαναφορτιζόμενες μπαταρίες, καθώς μπορεί να προκληθεί τραυματισμός ατόμων ή ζημιά στη συσκευή.
- Μην προκαλείτε ζημιά στην μπαταρία, καθώς μπορεί να προκληθεί τραυματισμός ατόμων ή ζημιά στη συσκευή.
- Μην αποθηκεύετε τις μπαταρίες σε τσέπες, τσάντες, κουτιά ή συρτάρια κ.λπ. όπου μπορεί να προκληθεί βραχυκύκλωμα μεταξύ τους ή από ηλεκτρικά αγωγία υλικά, όπως κέρματα ή κλειδιά, καθώς μπορεί να προκληθεί τραυματισμός ατόμων ή ζημιά στη συσκευή.
- Μη χρησιμοποιείτε μπαταρία που έχει διαρροή, καθώς μπορεί να προκληθεί τραυματισμός ατόμων ή ζημιά στη συσκευή.
- Μην εκθέτετε την μπαταρία λιθίου σε θερμοκρασίες εκτός των ευρών θερμοκρασίας που αναφέρονται στην ετικέτα, καθώς μπορεί να προκληθεί τραυματισμός ατόμων ή ζημιά στη συσκευή.
- Χρειάζεται προσοχή κατά την αντικατάσταση της μπαταρίας. Η λανθασμένη τοποθέτηση των μπαταριών μπορεί να οδηγήσει σε επικίνδυνη κατάσταση, όπως υπερβολική θερμότητα ή πυρκαγιά και, κατά συνέπεια, μπορεί να προκληθεί τραυματισμός ατόμων ή ζημιά στη συσκευή ή σε άλλα περιουσιακά στοιχεία.
- Η συσκευή περιέχει έναν μαγνήτη που παράγει μαγνητικά και ηλεκτρομαγνητικά πεδία τα οποία ενδέχεται να δημιουργήσουν παρεμβολές σε βηματοδότες ή άλλες εμφυτεύσιμες συσκευές, καθώς και σε ορισμένες διαδικασίες ή θεραπείες. Διατηρείτε ελάχιστη απόσταση 6 ίντσες/15 cm μεταξύ της συσκευής και οποιουδήποτε εμφυτευμένου ιατροτεχνολογικού προϊόντος. Συμβουλευτείτε τον ιατρό σας πριν από οποιαδήποτε ιατρική επέμβαση ή θεραπεία. Εάν υποψιάζεστε ότι υπάρχει παρεμβολή μεταξύ της συσκευής και οποιουδήποτε εμφυτευμένου ιατροτεχνολογικού προϊόντος, διακόψτε τη χρήση και συμβουλευτείτε τον ιατρό σας.
- Μην εισάγετε κανένα μέρος της συσκευής ή παρελκόμενα μέσα στο στόμα, καθώς μπορεί να προκληθεί τραυματισμός ατόμων.
- Μην τροποποιείτε τη συσκευή, καθώς μπορεί να προκληθεί τραυματισμός ατόμων ή ζημιά στη συσκευή.
- Η συσκευή περιέχει μικρά εξαρτήματα που μπορεί να μετατοπιστούν και να δημιουργήσουν κίνδυνο πνιγμού. Διατηρείτε τη συσκευή μακριά από μικρά παιδιά.

## 1.5 Προφυλάξεις

- Προσέχετε να μην προκαλέσετε ζημιά στην καλωδίωση της μπαταρίας όταν ανοίγετε/κλείνετε το καπάκι της μπαταρίας.
- Εάν δεν ακολουθήσετε τις οδηγίες συντήρησης, μπορεί να προκληθεί τραυματισμός ατόμων ή/και ζημιά στη συσκευή.
- Μη χρησιμοποιείτε ποτέ μια συσκευή που έχει υποστεί θραύση, τροποποίηση ή μεταβολή και μη φορτίζετε μια συσκευή που έχει υποστεί θραύση, τροποποίηση ή μεταβολή, καθώς μπορεί να προκληθεί τραυματισμός ατόμων ή ζημιά στη συσκευή.
- Η συσκευή και οι μπαταρίες μπορεί να θερμανθούν (έως και 45 °C/113 °F) κατά τη διάρκεια της φόρτισης. Αφήστε τη συσκευή να κρυώσει πριν από τη χρήση.
- Η συσκευή μπορεί να θερμανθεί κατά τη χρήση. Λάβετε τις απαραίτητες προφυλάξεις κατά την τοποθέτηση στον λαιμό για τη χρήση.
- Με την εκτεταμένη χρήση, οι δονήσεις μπορεί να προκαλέσουν δυσφορία σε ορισμένους ευαίσθητους χρήστες.
- Μπορεί να προκληθεί δυσλειτουργία ή διακοπή της συσκευής, λόγω παρεμβολών ηλεκτρομαγνητικού πεδίου από άλλες συσκευές.
- Προσέχετε να μη μασάτε/δαγκώνετε τον στοματικό σωλήνα, καθώς μπορεί να προκληθούν οδοντικές βλάβες.



- Προσέχετε να μην αφήσετε τη συσκευή να πέσει, καθώς μπορεί να προκληθεί ζημιά στη συσκευή.
- Με τη χρήση της συσκευής, μπορεί να προκληθεί αίσθημα προσπάθειας και κόπωσης στον ώμο/βραχίονα σε άτομα με δυσλειτουργία του ώμου.

## 2. Οδηγίες χρήσης

**Ορισμοί:** **TTE** = *Provox TruTone Emote*, **TTP** = *Provox TruTone Plus*, **TTE/P** = και τα δύο προϊόντα *Provox TruTone*, **STP** = *Provox SolaTone Plus*

### 2.1 Περιεχόμενο

#### Περιεχόμενο κιβωτίου

- Λαρυγγόφωνο
- IFU — Οδηγίες χρήσης
- Στοματικός προσαρμογέας
- Στοματικός σωλήνας σε διάφορες συσκευασίες
- Καλώδιο Micro USB
- Κεφαλή ήχου για πρόσθετη ευκρίνεια (TTE/P)
- 2 επαναφορτιζόμενες μπαταρίες AA NiMH (STP)
- Κορδόνι

#### Προδιαγραφές εξαρτημάτων (Εικόνα 1)

- A. Κεφαλή ήχου (x2 TTE/P) (x1 STP) (συμπεριλαμβανομένων του κουμπιού ήχου και του αφρώδους δακτυλίου)
- B. Διαχωριστικό κεφαλής ήχου (TTE/P)
- C. Κουμπί τροφοδοσίας (κουμπί Emotion™ στο TTE/P)
- D. Επιλογέας έντασης
- E. Σώμα
- F. Μπαταρία
- G. Καπάκι μπαταρίας
- H. Σύνδεσμος μπαταρίας (TTE/P)
- I. Στοματικός σωλήνας (2 + 2)
- J. Στοματικός προσαρμογέας
- K. Επιλογέας ρύθμισης τόνου (ύψος ήχου)
- L. Φωτεινή ένδειξη LED
- M. Κουμπί ΛΕΙΤΟΥΡΓΙΑΣ (TTE/P)
- U. Προστατευτικό κάλυμμα υποδοχής USB (TTE/P)
- V. Υποδοχή φόρτισης μέσω USB

### 2.2 Οδηγίες λειτουργίας

#### 2.2.1 Επίπεδο και ισχύς έντασης

- Το τέλος της διαδρομής του επιλογέα έντασης (D) προς τα κάτω είναι η απενεργοποίηση.
- Ενεργοποιήστε τη συσκευή και ρυθμίστε την ένταση στρέφοντας τον επιλογέα έντασης (D) προς τα πάνω.

#### 2.2.2 Ρύθμιση του τόνου

- Ρυθμίστε τον τόνο περιστρέφοντας τον επιλογέα ρύθμισης τόνου (K).
- Όταν κάνετε την αρχική σας ρύθμιση, κρατήστε πατημένο το κουμπί τροφοδοσίας (C) για να ακούτε τις διαφορές.
- Εάν χρησιμοποιήσετε τον επιλογέα τόνου (K) χωρίς να κρατάτε πατημένο το κουμπί τροφοδοσίας (C), ο τόνος εξακολουθεί να αλλάζει χωρίς να έχετε τη δυνατότητα να τον ακούσετε.

### 2.2.3 Ρύθμιση της λειτουργίας (TPE/P)

Για να αλλάξετε τη λειτουργία, αφαιρέστε πρώτα το καπάκι της μπαταρίας και, στη συνέχεια, πατήστε τόσο το κουμπί λειτουργίας (M) όσο και το κουμπί τροφοδοσίας (C). Η λειτουργία αλλάζει αμέσως, αλλά εάν συνεχίσετε να πατάτε το κουμπί τροφοδοσίας η συσκευή θα εκπέμψει έναν ήχο «μπιπ» για να υποδείξει την νέα ρύθμιση λειτουργίας. Ο αριθμός και ο τόνος των «μπιπ» υποδεικνύουν τη λειτουργία που είναι ενεργή.

Το Provox TruTone Emote (TTE) διαθέτει έξι λειτουργίες 1–6 και το Provox TruTone Plus (TTP) διαθέτει δύο λειτουργίες 1–2.

**Λειτουργίες 1–4:** Τέσσερα προκαθορισμένα εύρη.

Λειτουργία 1 — Σχεδόν μονότονη φωνή	1 «μπιπ»
Λειτουργία 2 — Χαμηλές τονικές παραλλαγές: εύρος 1/2 οκτάβα	2 «μπιπ»
Λειτουργία 3 — Μεσαίες τονικές παραλλαγές	3 «μπιπ»
Λειτουργία 4 — Υψηλές τονικές παραλλαγές: εύρος 2 οκτάβες	4 «μπιπ»

**Λειτουργίες 5–6 (TTE):** Η λειτουργία έντασης σας επιτρέπει να ελέγχετε με το κουμπί τροφοδοσίας (C) την ένταση αντί για τον τόνο (K). Αυτό αφορά άτομα που δεν χρησιμοποιούν το χειριστήριο τόνου και επιτρέπει τον έλεγχο της έντασης χωρίς περιστροφή του επιλογέα. Με ένα πολύ ελαφρύ άγγιγμα μπορείτε να μιλήσετε με «ψιθυριστή φωνή» ενώ με ένα παρατεταμένο πάτημα ο ήχος εκπέμπεται σε πλήρη ένταση. Ο επιλογέας ελέγχου έντασης εξακολουθεί να περιορίζει τη μέγιστη ένταση της φωνής σας. Η αλλαγή σε αυτές τις λειτουργίες παράγει έναν «συριγμό» (με αυξανόμενο τόνο) αντί για έναν σταθερό τόνο «μπιπ».

Λειτουργία 5 — Χαμηλή ευαισθησία: για την πλήρη ένταση απαιτείται μεγαλύτερη πίεση.	2 «συριγμοί»
Λειτουργία 6 — Υψηλή ευαισθησία: για την πλήρη ένταση απαιτεί μικρότερη πίεση.	3 «συριγμοί»

### 2.2.4 Επιλογή κεφαλής ήχου

Εάν οι ιστοί στον λαιμό σας είναι σκληροί ή βρίσκεστε σε θορυβώδες περιβάλλον. Μπορεί να χρησιμοποιηθεί η γκρι κεφαλή ήχου, καθώς παρέχει πιο ευκρινή ήχο. (Βλ. 2.3.2 Αντικατάσταση της κεφαλής ήχου)

### 2.2.5 Χρήση του διαχωριστικού κεφαλής ήχου (B) — (TPE/P)

Εάν χρησιμοποιείτε τακτικά έναν υψηλότερο τόνο και προτιμάτε την τονική ποιότητα χωρίς διαχωριστικό κεφαλής ήχου, μπορείτε να το αφαιρέσετε. (Βλ. 2.3.3 Προσθήκη/αφαίρεση διαχωριστικού κεφαλής ήχου)

### 2.2.6 Φόρτιση μπαταριών

- Ανασηκώστε το προστατευτικό κάλυμμα υποδοχής USB (U) από το επάνω άκρο του. (TTE/P)
- Εισαγάγετε το micro-USB στην υποδοχή φόρτισης μέσω USB (V) με ένα εγκεκριμένο βύσμα για φόρτιση σε τοίχο.
- Επιβεβαιώστε ότι η φωτεινή ένδειξη LED (L) είναι αναμμένη.
- Αποσυνδέστε τη μονάδα μετά την ολοκλήρωση της φόρτισης για εξοικονόμηση ενέργειας. Χρησιμοποιείτε τη συσκευή έως ότου η ένταση αρχίσει να εξασθενεί, το οποίο αντιστοιχεί σε 80% εξάντληση της μπαταρίας.

#### **Φωτεινή ένδειξη LED (L)**

- Χαμηλή στάθμη μπαταρίας (TTE/P) — Όταν πατάτε το κουμπί τροφοδοσίας, η ένδειξη ανάβει υποδεικνύοντας ότι πλησιάζει η ώρα φόρτισης.
- Φόρτιση — Σταθερά αναμμένη ένδειξη
- Ολοκλήρωση φόρτισης — Ένδειξη που αναβοσβήνει

## 2.2.7 Τοποθέτηση του λαρυγγοφώνου στον λαιμό

- Τοποθετήστε την κεφαλή ήχου (A) πάνω στον λαιμό σας και πατήστε το κουμπί τροφοδοσίας (C). Μην εισάγετε κανένα εξάρτημα της συσκευής ή παρελκόμενο στη στομία.
- Μιλήστε καθώς ο ήχος μεταδίδεται μέσα στο στόμα σας. Μην εκπνέετε δυνατά.
- Βεβαιωθείτε ότι η κεφαλή ήχου εφαρμόζει τελείως στεγανά στον λαιμό σας.
- Δοκιμάστε διαφορετικές θέσεις έως ότου πετύχετε τον καλύτερο δυνατό ήχο. Επισημαίνεται ότι ακόμη και μια αλλαγή της θέσης κατά 3 mm/1/8 ίντσες μπορεί να έχει μεγάλη επίδραση στην ένταση του ήχου.
- Εάν δεν μπορείτε να επιτύχετε μετάδοση του ήχου μέσω του λαιμού σας ή δεν μπορείτε να τοποθετήσετε τη συσκευή στον λαιμό σας για ιατρικούς λόγους, δοκιμάστε την τοποθέτηση στο μάγουλο ή χρησιμοποιήστε τον στοματικό προσαρμογέα (Βλ. εγκατάσταση/χρήση προαιρετικού στοματικού προσαρμογέα/σωλήνα 2.3.4).
- Η ρύθμιση του βασικού τόνου προς τα πάνω ή προς τα κάτω μπορεί να παράγει καλύτερη φωνή.
- Οι περισσότεροι άνθρωποι αντιλαμβάνονται καλύτερα τους ήχους που βρίσκονται στο μεσαίο εύρος.

## 2.2.8 Προαιρετικός στοματικός προσαρμογέας και στοματικοί σωλήνες

Εάν η τοποθέτηση στον λαιμό δεν σας ταιριάζει επειδή ο λαιμός σας είναι πολύ μαλακός ή υπάρχει υπερβολικός βόμβος, μπορείτε να χρησιμοποιήσετε τον στοματικό προσαρμογέα. (Εγκατάσταση/χρήση στοματικού προσαρμογέα/σωλήνα 2.3.4)

## 2.2.9 Κατευθυντήριες γραμμές για επιδεικτική χρήση

### **Προειδοποίηση!**

Ο στοματικός προσαρμογέας και οι στοματικοί σωλήνες προορίζονται για χρήση σε έναν μόνο ασθενή και δεν πρέπει να επαναχρησιμοποιούνται μεταξύ των ασθενών.

### **Προφύλαξη!**

Μετά από κάθε χρήση από τον ασθενή και μετά από κάθε επίδειξη, συντηρείτε τη συσκευή σύμφωνα με τις οδηγίες συντήρησης.

- Η επιδεικτική χρήση προορίζεται για τον προσδιορισμό της καταλληλότητας της συσκευής για τον ασθενή.
- Οι χρήστες πρέπει να καθαρίζουν και να απολυμαίνουν τα χέρια τους με ισοπροπυλική αλκοόλη (IPA) ή άλλο κατάλληλο απολυμαντικό ή να χρησιμοποιούν γάντια.
- Η κεφαλή ήχου (A) (συμπεριλαμβανομένων του κουμπιού ήχου και του αφρώδους δακτυλίου) πρέπει να αντικαθίσταται και να απορρίπτεται μεταξύ των χρήσεων κάθε ασθενούς (2.3.2 Αντικατάσταση της κεφαλής ήχου).
- Η συσκευή πρέπει να σκουπίζεται πριν και μετά από κάθε ασθενή, σύμφωνα με την ενότητα 2.3.1 Συντήρηση της συσκευής.

## 2.3 Συντήρηση και αλλαγή εξαρτημάτων

### 2.3.1 Συντήρηση της συσκευής

- Οι ενέργειες συντήρησης αποτελούν ευθύνη του χρήστη. Η συντήρηση πρέπει να γίνεται μετά από κάθε χρήση.
- Καθαρίστε τη συσκευή με ένα καθαρό, στεγνό πανί ή, εάν είναι απαραίτητο, με ένα ελαφρώς υγρό πανί (να μην στάζει). Χρησιμοποιήστε νερό με ήπιο σαπούνι ή ισοπροπυλική αλκοόλη 50–75%.
- Προσέχετε να μην εισχωρήσει υγρασία στο εσωτερικό της συσκευής.
- Μη χρησιμοποιείτε ηλεκτρικά καθαριστικά ή καθαριστικά σε σπρέι.

### 2.3.2 Αντικατάσταση της κεφαλής ήχου (Εικόνα 5)

Για την αντικατάσταση των κεφαλών ήχου, επικοινωνήστε με τον τοπικό αντιπρόσωπο.

1. Καθαρίστε τη συσκευή σύμφωνα με την ενότητα 2.3.1. Συντήρηση. Βεβαιωθείτε ότι εφαρμόζετε ελαφριά πίεση και καθαρίστε το κουμπί τροφοδοσίας με κυκλική ή περιστροφική κίνηση. Αφού καθαρίσετε το σώμα, καθαρίστε το καπάκι της κεφαλής ήχου, προσέχοντας να μην εφαρμόσετε υπερβολική πίεση που μπορεί να προκαλέσει τη μετατόπιση του επάνω κουμπιού ήχου.

2. Αφαιρέστε την κεφαλή ήχου ξεβιδώνοντάς την.

3. Βεβαιωθείτε ότι το διαχωριστικό κεφαλής ήχου (B) είναι ακόμα εγκατεστημένο. Αντικαταστήστε το εάν είναι σπασμένο ή λείπει, πριν από την εγκατάσταση της νέας κεφαλής ήχου (A) (TTE/P) (Βλ. 2.3.3 Προσθήκη/αφαίρεση διαχωριστικού κεφαλής ήχου).

4. Τοποθετήστε μια νέα κεφαλή ήχου (A).

**Προφύλαξη:** Μην αφαιρείτε το διάφραγμα σιλκόνης κάτω από την κεφαλή ήχου. Το διάφραγμα σιλκόνης πρέπει να διατηρείται στην εγκοπή του στελέχους του πηνίου/ενεργοποιητή. (Εικόνα 3)

**Προφύλαξη:** Μην περιστρέφετε το πηνίο/ενεργοποιητή. Τα καλώδια πρέπει να περιελίσσονται ομαλά γύρω από το πηνίο/τον ενεργοποιητή. (Εικόνα 3)

### 2.3.3 Προσθήκη/αφαίρεση διαχωριστικού κεφαλής ήχου (Εικόνα 2)

1. Ξεβιδώστε την κεφαλή ήχου.

2. Προσθέστε/αφαιρέστε το διαχωριστικό.

3. Βιδώστε ξανά την κεφαλή ήχου.

4. Δοκιμάστε τη συσκευή, ακούγοντας την τονική ποιότητα. Εάν προτιμάτε την τονική ποιότητα χωρίς το διαχωριστικό, φροντίστε να φυλάξετε το διαχωριστικό σε ασφαλές μέρος, όπως το κουτί συσκευασίας της συσκευής σας.

### 2.3.4 Εγκατάσταση/χρήση στοματικού προσαρμογέα/σωλήνα (Εικόνα 3)

1. Εισαγάγετε τον στοματικό σωλήνα (I) μέσα στο επάνω μέρος του προσαρμογέα στόματος (J).

**Προφύλαξη:** Μην εισαγάγετε τον στοματικό σωλήνα πέρα από τον αναστολέα. Βεβαιωθείτε ότι ο σωλήνας δεν προεξέχει στην περιοχή του καπακιού.

2. Τοποθετήστε τον στοματικό προσαρμογέα πάνω στην κεφαλή ήχου (A).

**Προφύλαξη:** Μην τον περιστρέφετε.

3. Τοποθετήστε τον στοματικό σωλήνα στη γωνία του στόματος.

4. Ενεργοποιήστε το λαρυγγόφωνο. Μιλήστε γύρω από τον στοματικό σωλήνα.

### 2.3.5 Αλλαγή μπαταριών

#### STP

Δύο επαναφορτιζόμενοι συσσωρευτές AA 1,5 V νικελίου μεταλλικού υδριδίου (NiMH).

• Τοποθετήστε την μπαταρία (F) ακολουθώντας τα βέλη που βρίσκονται στο εσωτερικό του STP (Εικόνα 1).

#### TTE/P:

Χρησιμοποιείτε αποκλειστικά εγκεκριμένες μπαταρίες λιθίου. Για περισσότερες πληροφορίες, επικοινωνήστε με τους διανομείς.

• Τοποθετήστε την μπαταρία (F) όπως φαίνεται (Εικόνα 1). Χωράει μόνο με έναν τρόπο. Η γλωττίδα ευθυγράμμισης του συνδέσμου μπαταρίας (H) είναι στραμμένη προς τα επάνω, με το κόκκινο καλώδιο προς τα δεξιά. (Εικόνα 1)

## 2.4 Οδηγός αντιμετώπισης προβλημάτων

### 2.4.1 Μη ικανοποιητική καταληπτότητα κατά τη χρήση τηλεφώνου

1. Τοποθετήστε το μικρόφωνο του τηλεφώνου δίπλα στη μύτη, όχι κάτω από το στόμα. Αυτό θα απομακρύνει το μικρόφωνο από τον ήχο της στομίας και του λαρυγγόφωνου.
2. Μειώστε την ένταση του λαρυγγόφωνου, ώστε το επίπεδο έντασης να είναι όσο το δυνατόν πιο χαμηλό ενώ εξακολουθεί να παράγεται ήχος.

### 2.4.2 Μονάδα «νεκρή», «χαλασμένη» ή «απλά σταμάτησε να λειτουργεί»

1. Βεβαιωθείτε ότι ο επιλογέας έντασης (D) δεν είναι γυρισμένος εντελώς προς τα κάτω, κάτι που απενεργοποιεί τη συσκευή.
2. Γυρίστε τον επιλογέα έντασης (D) εντελώς προς τα κάτω, για να απενεργοποιηθεί η συσκευή.
3. Πατήστε ελαφρώς το κουμπί τροφοδοσίας (C) και αυξήστε την πίεση. Εάν η συσκευή ενεργοποιείται και απενεργοποιείται κατά τη διαδικασία, πρέπει να στείλετε τη συσκευή για αντικατάσταση. (Βλ. 2.5.1 Σέρβις και υποστήριξη)
4. Εάν η ένδειξη LED ανάβει κάθε φορά που πατάτε το κουμπί τροφοδοσίας (C), η μπαταρία της συσκευής είναι χαμηλή και πρέπει να φορτιστεί. (TTE/P)
5. Συνδέστε στη συσκευή ένα αποδεδειγμένα καλό καλώδιο micro USB, το οποίο τροφοδοτείται με ρεύμα. Εάν η συσκευή ενεργοποιηθεί και η ένδειξη LED αναβοσβήνει, τότε είναι αποσυνδεδεμένη η μπαταρία της συσκευής. Αφαιρέστε το καπάκι της μπαταρίας και πιέστε περισσότερο μέσα στο περίβλημα τον σύνδεσμο του καλωδίου της μπαταρίας (μαύρο πλαστικό όπου μπαίνουν τα μαύρα και κόκκινα καλώδια).

### 2.4.3 Η φωτεινή ένδειξη φόρτισης (L) δεν ανάβει κατά τη φόρτιση

1. Δοκιμάστε την ηλεκτρική πρίζα με μια λυχνία.
2. Βεβαιωθείτε ότι το καλώδιο micro USB είναι πλήρως συνδεδεμένο στην παροχή ρεύματος και στη συσκευή.
3. Δοκιμάστε ένα διαφορετικό καλώδιο micro USB.
4. Δοκιμάστε διαφορετική παροχή ρεύματος (ηλεκτρική πρίζα USB).
5. Δοκιμάστε τον φορτιστή και το καλώδιο σε ένα κινητό τηλέφωνο ή άλλη συσκευή.

#### **STP**

6. Βεβαιωθείτε ότι η μπαταρία (ή οι μπαταρίες) είναι επαναφορτιζόμενη. Η συσκευή δεν φορτίζει μη επαναφορτιζόμενες μπαταρίες.
7. Βεβαιωθείτε ότι οι μπαταρίες έχουν τοποθετηθεί σωστά. Βεβαιωθείτε ότι οι μπαταρίες έχουν σωστό προσανατολισμό, με το + της μπαταρίας να βρίσκεται στο + της συσκευής.

#### **TTE/P:**

8. Συνδέστε στη συσκευή ένα αποδεδειγμένα καλό καλώδιο micro USB που τροφοδοτείται με ρεύμα και πατήστε το κουμπί τροφοδοσίας (C). Εάν η συσκευή ενεργοποιηθεί και η ένδειξη LED αναβοσβήνει, τότε είναι αποσυνδεδεμένη η μπαταρία της συσκευής. Αφαιρέστε το καπάκι της μπαταρίας (G) και πιέστε περισσότερο μέσα στο περίβλημα τον σύνδεσμο της μπαταρίας (H).

### 2.4.4 Η μονάδα «έχει πολύ βουητό» «ακούγεται περίεργα», «είναι πνιγμένη» ή «δεν είναι καθαρή»

1. Βεβαιωθείτε ότι η κεφαλή ήχου (A) βρίσκεται σε πλήρη επαφή με το δέρμα στον λαιμό.
2. Δοκιμάστε μια διαφορετική θέση στον λαιμό. (Βλ. 2.2.7 Τοποθέτηση του λαρυγγόφωνου στον λαιμό.)

3. Μειώστε την ένταση (D).
4. Ρυθμίστε τον τόνο (K).
5. Χρησιμοποιήστε τον στοματικό προσαρμογέα (Βλ. 2.3.4 Εγκατάσταση/χρήση του στοματικού προσαρμογέα και του στοματικού σωλήνα).
6. Ελέγξτε το καπάκι. Εάν το κουμπί ήχου φαίνεται χαλαρό ή έχει μετακινηθεί ελαφρώς ή ο αφρώδης δακτύλιος φαίνεται να έχει υποστεί ζημιά, η συσκευή μπορεί να χρειάζεται νέο αφρώδη δακτύλιο.
7. Αφαιρέστε την κεφαλή ήχου (A) και κοιτάζετε στο εσωτερικό της.
  - Υπάρχει ένα μικρό κομμάτι καουτσούκ κολλημένο στη θέση του στο κέντρο της κεφαλής ήχου (A); Εάν δεν υπάρχει, η μονάδα χρειάζεται αντικατάσταση κουμπιού ήχου. (Βλ. 2.5.1 Σέρβις και υποστήριξη)
  - Βεβαιωθείτε ότι το διάφραγμα είναι συνδεδεμένο στον στύλο του πηνίου. Βεβαιωθείτε ότι το πηνίο αναπηδά ελεύθερα όταν το αγγίζετε και ότι δεν έχει αμμόδη αίσθηση (Εικόνα 4)

#### **TTE/P:**

1. Δοκιμάστε την προαιρετική κεφαλή ήχου για πρόσθετη ευκρίνεια (2.3.2 Αντικατάσταση της κεφαλής ήχου) (Εικόνα 5)

#### 2.4.5 «Η κεφαλή ήχου (A) αποσυναρμολογήθηκε» ή το κουμπί ήχου έχει βγει από το καπάκι

1. Ελέγξτε εάν έχει υποστεί ζημιά ο αφρώδης δακτύλιος.
2. Εάν ο αρχικός αφρώδης δακτύλιος δεν έχει υποστεί ζημιά, μπορεί να επαναχρησιμοποιηθεί και να συναρμολογηθεί ξανά
3. Εάν έχει υποστεί ζημιά, χρειάζεται αντικατάσταση.

#### **TTE/P:**

Η ευαισθησία του αισθητήρα κουμπιών μπορεί να είναι υπερβολική. Δοκιμάστε μια διαφορετική ΛΕΙΤΟΥΡΓΙΑ, συνήθως μια χαμηλότερη λειτουργία.

#### 2.4.6 Το κουμπί «κολλάει»

1. Διαβάστε τις γενικές συμβουλές καθαρισμού (2.3.1 Συντήρηση της συσκευής).
2. Χρησιμοποιήστε μπατονέτα ή βαμβακοφόρο στειλεό με μικρή ποσότητα συνιστώμενης αλκοόλης (2.3.1 Συντήρηση της συσκευής) για να καθαρίσετε γύρω από το κουμπί τροφοδοσίας 5–6 φορές και, στη συνέχεια, πατήστε το κουμπί τροφοδοσίας 5–6 φορές.
3. Πατήστε εναλλάξ το κουμπί τροφοδοσίας και καθαρίστε γύρω από το κουμπί με μπατονέτα ή βαμβακοφόρο στειλεό. Συνεχίστε μέχρι να μην κολλάει πλέον.
4. Χρησιμοποιήστε ένα παχύτερο χαρτί για να αφαιρέσετε τα υπολείμματα που έχουν κολλήσει στη σχισμή του κουμπιού τροφοδοσίας.

#### 2.4.7 Ασταθής τόνος (TTE/P)

Δοκιμάστε μια λειτουργία με χαμηλότερη ευαισθησία. (Βλ. 2.2.3 Ρύθμιση της λειτουργίας)

#### 2.4.8 Ασταθής ένταση (TTE/P)

Δοκιμάστε μια λειτουργία εκτός της λειτουργίας έντασης. (Βλ. 2.2.3 Ρύθμιση της λειτουργίας)

#### 2.4.9 Μονάδα που προκαλεί παρεμβολές στη ραδιοφωνική ή τηλεοπτική λήψη

1. Αλλαγή προσανατολισμού ή θέσης της κεραίας λήψης.
2. Αύξηση της απόστασης μεταξύ του εξοπλισμού και του δέκτη.
3. Σύνδεση του εξοπλισμού σε πρίζα που βρίσκεται σε διαφορετικό κύκλωμα από εκείνο στο οποίο είναι συνδεδεμένος ο δέκτης.
4. Επικοινωνία με τον αντιπρόσωπο πωλήσεων ή με έμπειρο τεχνικό ραδιοφώνων/ τηλεοράσεων για βοήθεια.

## 2.5 Σέρβις

### 2.5.1 Σέρβις και υποστήριξη

Το λαρυγγόφωνο δεν περιέχει άλλα εξαρτήματα που επιδέχονται επισκευή εκτός από εκείνα που αφαιρούνται από τον ασθενή. Τα ανταλλακτικά σέρβις περιλαμβάνουν μπαταρίες, κεφαλή ήχου, διαχωριστικό κεφαλής ήχου, αφρώδη δακτύλιο, προσαρμογέα στόματος και στοματικούς σωλήνες. Για υποστήριξη στη χρήση ή τη συντήρηση του λαρυγγόφωνου σας και για παραγγελίες διαθέσιμων ανταλλακτικών, επικοινωνήστε με τον τοπικό αντιπρόσωπο.

## 2.6 Απόρριψη

Να ακολουθείτε πάντοτε τις κατάλληλες ιατρικές πρακτικές και τις εθνικές απαιτήσεις περί βιολογικών κινδύνων όταν απορρίπτετε χρησιμοποιημένες ιατρικές συσκευές.

## 2.7 Αναφορά

Επισημαίνεται ότι οποιοδήποτε σοβαρό συμβάν που έχει προκύψει σε σχέση με τη συσκευή πρέπει να αναφέρεται στον κατασκευαστή και την εθνική αρχή της χώρας στην οποία διαμένει ο χρήστης ή/και ο ασθενής.

## 3. Τεχνικές προδιαγραφές

Περιγραφή	Προδιαγραφές
Θερμοκρασία λειτουργίας (για τη διατήρηση της βέλτιστης διάρκειας ζωής των μπαταριών)	+5 °C έως +25 °C +41 °F έως +77 °F
Θερμοκρασία αποθήκευσης και μεταφοράς (για τη διατήρηση της βέλτιστης διάρκειας ζωής των μπαταριών)	-20 °C έως +25 °C -4 °F έως +77 °F
Υγρασία λειτουργίας (για τη διατήρηση της βέλτιστης διάρκειας ζωής των μπαταριών)	15% έως 93% σχετική υγρασία, 700 hPa έως 1060 hPa
Υγρασία αποθήκευσης	0% έως 45% σχετική υγρασία
Αναμενόμενη διάρκεια ζωής	1–5 έτη
Εφαρμοζόμενο εξάρτημα	Εφαρμοζόμενο εξάρτημα τύπου BF (ολόκληρη η συσκευή)
Τρόπος λειτουργίας	30 λεπτά ενεργοποίησης κατά τη διάρκεια 24 ωρών
Πηγή ρεύματος	Εσωτερική τροφοδοσία
Διαστάσεις	Provox SolaTone Plus 118 mm (4,6 ίντσες), Provox TruTone Emote 113 mm (4,5 ίντσες), Provox TruTone Plus 113 mm (4,5 ίντσες)
Βάρος	Provox SolaTone Plus 130 g (0,29 λίβρες), Provox TruTone Emote 130 g (0,29 λίβρες), Provox TruTone Plus 131 g (0,29 λίβρες)
Προδιαγραφές φορτιστή	5 V, 750 mA τουλάχιστον (ή 0,75 A τουλάχιστον)

Η συσκευή έχει υποβληθεί σε ελέγχους και συμμορφώνεται με το πρότυπο IEC 60601-1-2, με επίπεδο ελέγχου που έχει υιοθετηθεί για το οικιακό περιβάλλον.

## 1. Описателна информация

### 1.1 Предназначение

Електроларинкът е изкуствен ларинкс, който се захранва с батерии, прилагащ се външно и предназначен да се използва в случай на липса на възможност за използване на ларинкса за произвеждане на звук. Когато се държи към кожата в зоната на гръкляна или като се вмъкне тръбичка в устната кухина (с устен адаптер), устройството произвежда механични вибрации, които резонират в устната и назалната кухина и могат да бъдат модулирани с езика и устните по обичайния начин, като по този начин се възпроизвежда реч.

### 1.2 Противопоказания

Устройството трябва да се използва само в съответствие с инструкциите за употреба. Потребителите, които нямат физическите, когнитивните или умствените способности, необходими за самостоятелна работа с устройството, не трябва да го използват самостоятелно и трябва да го използват само ако са под достатъчен надзор от лекар или обучен болногледач. Устройството не трябва да се прилага директно върху деликатната тъкан на шията със слаби кръвоносни съдове. Това може да причини увреждане на тъканите или кървене. Пациенти с такова състояние трябва да използват устройството само ако са специално инструктирани от своя лекар как да използват устройството и къде да го прилагат безопасно.

### 1.3 Описание на устройството

Електроларинкът е изкуствен ларинкс, който се захранва с батерии, прилагащ се външно върху неувредена кожа и предназначен да се използва в случай на липса на ларинкс или на невъзможност за използване на ларинкса за произвеждане на звук.

### 1.4 Предупреждения

- Неспазването на инструкциите за безопасност може да доведе до нараняване на хора или повреда на устройството. Прочетете цялата информация за безопасност по-долу, преди да използвате устройството.
- Неправилната употреба на устройството или неспазването на инструкциите в тези ИЗУ може да причини нараняване на хора и/или повреда на устройството.
- Не използвайте устройството при различни хора, тъй като това може да причини кръстосано замърсяване. Устройството е предназначено за употреба само от един пациент.
- Не включвайте, не използвайте и не зареждайте устройството, ако то е било изложено на или е било изпуснато във вода или други течности, тъй като това може да причини нараняване на хора и/или повреда на устройството.
- Преди зареждане проверете зареждащото устройство за повреди. Повредено или неработещо зарядно устройство повече не трябва да се използва, тъй като може да причини пожар, нараняване на хора или повреда на устройството.
- Използвайте само одобрени зарядни устройства, тъй като използването на неодобрени такива може да причини пожар, нараняване на хора или повреда на устройството.
- Не се опитвайте да зареждате неакумулаторни батерии, тъй като това може да доведе до нараняване на хора или повреда на устройството.
- Не сменяйте акумулаторните батерии с неакумулаторни такива, тъй като това може да доведе до нараняване на хора или повреда на устройството.



- Не повреждайте батериите физически, тъй като това може да доведе до нараняване на хора или повреда на устройството.
- Не съхранявайте батерии в джоб, чанта, кутия или чекмедже и т.н., където те могат да направят късо съединение помежду си или да направят късо съединение чрез проводими материали, като монети или ключове, тъй като това може да доведе до нараняване на хора или повреда на устройството.
- Не използвайте изтекла батерия, тъй като това може да доведе до нараняване на хора или повреда на устройството.
- Не излагайте дадена литиева батерия на температури извън температурните диапазони, посочени на етикета, тъй като това може да доведе до нараняване на хора или повреда на устройството.
- Внимавайте, когато сменяте батериите. Неправилното поставяне на батериите може да доведе до опасна ситуация, като силно загряване или пожар, тъй като това може да доведе до нараняване на хора или повреда на устройството или друго имущество.
- Устройството съдържа магнит, генериращ магнитни и електромагнитни полета, които могат да смутят работата на пейсмейкъри или други имплантируеми устройства, както и определени процедури или лечения. Поддържайте минимално разстояние от 15 cm/6" между устройството и други медицински имплантирани устройства. Консултирайте се с Вашия лекар преди всяка медицинска процедура или лечение. Ако има съмнение за смущения между устройството и медицинско имплантирано устройство, прекратете употребата и се консултирайте с Вашия лекар.
- Не поставяйте никоя част от устройството или аксесоарите в стомата, тъй като това може да доведе до нараняване на хора.
- Не модифицирайте устройството, тъй като това може да доведе до нараняване на хора или повреда на устройството.
- Устройството съдържа малки части, които могат да се разместят и представляват опасност от задавяне. Дръжте далеч от малки деца.

## 1.5 Предпазни мерки

- Внимавайте да не повредите окабеляването на батерията, когато отваряте/затваряте капачето за батерията.
- Неспазването на инструкциите за поддръжка може да доведе до нараняване на хора и/или повреда на устройството.
- Никога не използвайте повредено, модифицирано или подменено устройство и никога не зареждайте повредено, модифицирано или подменено устройство, тъй като това може да доведе до нараняване на хора и/или повреда на устройството.
- Устройството и батериите могат да се загреят (до 45°C/113°F) по време на зареждане. Оставете устройството да се охлади преди употреба.
- Устройството може да се загрее по време на употреба. Вземете необходимите предпазни мерки при поставяне на шията за употреба.
- При продължителна употреба вибрациите могат да причинят дискомфорт за някои чувствителни потребители.
- Устройството може да не работи или да спре да работи поради смущения от електромагнитно поле от други устройства.
- Внимавайте да не сдъвчете/захапете устната тръбичка, тъй като това може да причини увреждане на зъбите.
- Внимавайте да не изпуснете устройството, тъй като това може да причини повреда на устройството.
- Устройството може да предизвика усещане за усилие и умора в рамото/ръката при лица с дисфункция на рамото.

## 2. Инструкции за употреба

**Дефиниции:** **ТТЕ** = *Provox TruTone Emote*, **ТТР** = *Provox TruTone Plus*, **ТТЕ/Р** = *и двата продукта Provox TruTone*, **СТР** = *Provox SolaTone Plus*

### 2.1 Съдържание

#### Съдържание на кутията

- Електроларинкс
- ИЗУ – Инструкции за употреба
- Устен адаптер
- Различни пакети за устна тръбичка
- Микро USB кабел
- Изключително остра звукова глава (ТТЕ/Р)
- 2 АА NiMH акумулаторни батерии (СТР)
- Връзка

#### Спецификация на частта (Илюстрация 1)

- A. Звукова глава (x2 ТТЕ/Р) (x1 СТР) (включително бутон за звука и пръстен от пенест материал)
- B. Дистанционна вложка на звуковата глава (ТТЕ/Р)
- C. Бутон за включване (бутон Emotion™ в ТТЕ/Р)
- D. Регулатор на силата на звука
- E. Корпус
- F. Батерия
- G. Капаче за батерията
- H. Конектор на батерията(ТТЕ/Р)
- I. Устна тръбичка (2 + 2)
- J. Устен адаптер
- K. Регулатор за настройка на тона (височината)
- L. LED индикаторна светлина
- M. Бутон за РЕЖИМ (ТТЕ/Р)
- U. Прахозащитно капаче на USB порт (ТТЕ/Р)
- V. USB порт за зареждане

### 2.2 Инструкция за експлоатация

#### 2.2.1 Ниво на силата на звука и мощност

- Регулаторът на силата на звука (D) докрай надолу е изключен.
- Включете устройството и регулирайте силата на звука, като завъртите регулатора за силата на звука нагоре (D).

#### 2.2.2 Регулиране на тона

- Регулирайте тона, като завъртите регулатора за настройка на тона (K).
- Дръжте бутона за включване (C) натиснат, докато правите първоначалната настройка, за да чуете разликите.
- Използването на регулатора на тона (K), без да задържите бутона за включване (C), все пак променя тона, но без да можете да го чуете.

#### 2.2.3 Настройка на режима (ТТЕ/Р)

За да промените режима, първо свалете капачето за батерията, след това натиснете бутона за режим (M) и бутона за включване (C). Режимът се променя незабавно, но ако продължите да натискате бутона за включване, устройството ще издаде звуков сигнал, за да посочи новата настройка на режима. Броят звукови сигнали и тонът на сигнала показват кой режим е активиран.

Provox TruTone Emote (ТТЕ) има шест режима 1 – 6, а Provox TruTone Plus (ТТР) има два режима 1 – 2.

**Режими 1 – 4:** Четири предварително зададени диапазона.

Режим 1 – Почти монотонен	1 звук сигнал
Режим 2 – Нискотонални вариации – диапазон в 1/2 октави	2 звукови сигнала
Режим 3 – Вариации на средни тонове	3 звукови сигнала
Режим 4 – Високотонални вариации – диапазон в 2 октави	4 звукови сигнала

**Режими 5 – 6 (ТТЕ):** Режимът на силата на звука Ви позволява да управлявате силата на звука с бутона за включване (С), а не с регулатора на тона (К). Предназначен е за хора, които не използват контрол на тона, и позволява управление на силата на звука без преместване на бутона. Много леко докосване Ви позволява да говорите с „шептящ глас“, а когато натиснете по-силно, се издава звук с пълна сила. Бутонът за управление на силата на звука все още ограничава максималната сила. Промяната в тези режими създава „силен звук“ (с повишаващ се тон), а не постоянна звуков сигнал.

Режим 5 – Ниска чувствителност – пълната сила на звука изисква по-голям натиск. 2 „сигнал с повишаващ се тон“

Режим 6 – Висока чувствителност – пълната сила на звука изисква по-малък натиск. 3 „сигнал с повишаващ се тон“

## 2.2.4 Избор на звукова глава

Ако имате втвърдена тъкан на шията или сте в шумна среда. Може да се използва сивата звукова глава поради по-острия си звук. (Вижте 2.3.2 „Смяна на звуковата глава“)

## 2.2.5 Използване на дистанционна вложка на звуковата глава (В) – (ТТЕ/Р)

Ако редовно използвате по-висок тон и предпочитате тоналните качества без дистанционна вложка на звуковата глава, можете да я премахнете. (Вижте 2.3.3 „Добавяне/премахване на дистанционна вложка на звуковата глава“)

## 2.2.6 Зареждане на батерията

- Издърпайте прахозащитното капаче на USB порта (U) в горния край. (ТТЕ/Р)
- Вкарайте микро USB в USB порта за зареждане (V) с одобрен щепсел за зареждане от стена.
- Проверете дали LED индикаторната светлина (L) свети.
- Изключете устройството, когато зареждането завърши, за да спестите енергия. Използвайте, докато силата на звука започне да затихва, което означава, че батерията се е изтощила до 80%.

## LED индикаторна светлина (L)

- Изтощена батерия (ТТЕ/Р) – Лампичката се включва, когато натиснете бутона за включване, като сигнализира, че приближава времето за зареждане.
- Зареждане – Постоянна светлина
- Приключено зареждане – Мигаща светлина

## 2.2.7 Поставяне на електроларинкса на шията

- Поставете звуковата глава (А) към шията си и активирайте бутона за включване (С). Не вкарвайте която и да е част от устройството или аксесоарите в stomata.
- Говорете, както когато звукът се предава в устата Ви. Не говорете, извешдайки въздуха силно навън.
- Уверете се, че между звуковата глава приляга пълно на шията Ви.
- Пробвайте различни позиции, докато получите най-добрия звук. Имайте предвид, че дори промяна на позицията от 3 mm/1/8" може да окаже голямо влияние върху силата на звука.

- Ако не можете да постигнете предаване на звук през шията си или не можете да поставите устройството на шията си по медицински причини, опитайте да поставите на бузата или използвайте устния адаптер (вижте монтиране/използване на опционален устен адаптер/тръбичка 2.3.4).
- Регулирането на базовия тон нагоре или надолу може да произведе по-добър глас.
- Тонове в средния диапазон се чуват по-лесно от повечето хора.

## 2.2.8 Опционален устен адаптер и устни тръбички

Ако поставянето на шията не Ви устройва поради болезнена шия или прекомерно бръмчене, можете да използвате устния адаптер. (Монтиране/използване на устен адаптер/тръбичка 2.3.4)

## 2.2.9 Указания за употреба при демонстрации

### **Предупреждение!**

Устният адаптер, уснатата тръбичка и звуковата глава са предназначени за употреба само от един пациент и не трябва да се използват повторно за други пациенти.

### **Предпазна мярка!**

Провеждайте поддръжка на устройството след всеки пациент и демонстрационна употреба в съответствие с инструкциите за поддръжка.

- Демонстрационната употреба има за цел да определи пригодността на пациента за устройството.
- Потребителите трябва да почистват и дезинфекцират ръцете си с изопропилов алкохол (IPA) или с друг подходящ дезинфектант или да използват ръкавици.
- Звуковата глава (А) (включително бутонът за звука и пръстенът от пенест материал) трябва да се сменя и изхвърля между всеки пациент (2.3.2 „Смяна на звуковата глава“).
- Устройството трябва да се избърсва преди и след всеки пациент в съответствие с 2.3.1 „Поддръжка на устройството“.

## 2.3 Поддръжка и смяна на части

### 2.3.1 Поддръжка на устройството

- Действията по поддръжката са отговорност на потребителя. Поддръжката трябва да се извършва след всяка употреба.
- Избършете устройството с чиста, суха кърпа или, ако е необходимо, с леко влажна кърпа (не мокра с капеща течност). Използвайте вода с мек сапун или изопропилов алкохол 50 – 75%.
- Внимавайте вътре в устройството да не попадне влага.
- Не използвайте електрически почистващи устройства или спрей почистващи препарати.

### 2.3.2 Смяна на звуковата глава (Илюстрация 5)

Свържете се с местния представител за звукови глави за смяна.

1. Избършете устройството съгласно 2.3.1. „Поддръжка“. Прилагайте само лек натиск и избършете бутона за включване с кръгови или въртеливи движения. След избърсването на корпуса, избършете крайника на звуковата глава, като внимавате да не прилагате голям натиск, който би довел до разместване на горния бутон за звука.
2. Отстранете звуковата глава, като я развиеете.
3. Уверете се, че дистанционната вложка на звуковата глава (В) все още е на мястото си. Сменете я, ако е счупена или липсва, преди да монтирате новата звукова глава (А) (ТТЕ/Р) (вижте 2.3.3 „Добавяне/премахване на дистанционна вложка на звуковата глава“).

4. Монтирайте нова звукова глава (А).

**Предпазна мярка:** Не сваляйте силиконовата диафрагма, която се намира под звуковата глава. Силиконовата диафрагма трябва да остане в канала на стеблото на бобината/актуатора. (Илюстрация 3)

**Предпазна мярка:** Не извивайте бобината/актуатора. Проводниците трябва да се огънат плавно около бобината/актуатора. (Илюстрация 3)

### 2.3.3 Добавяне/премахване на дистанционна вложка на звуковата глава (Илюстрация 2)

1. Развийте звуковата глава.
2. Добавете/премахнете дистанционната вложка.
3. Навийте отново звуковата глава.
4. Пробвайте устройството, като проверите тембъра. Ако предпочитате тембъра, който се получава без дистанционната вложка, приберете я на надеждно място, например в кутията, в която е било опаковано Вашето устройство при доставката.

### 2.3.4 Монтиране/използване на устен адаптер/тръбичка (Илюстрация 3)

1. Вкарвайте устната тръбичка (I) в горната част на устния адаптер (J).

**Предпазна мярка:** Не вкарвайте устната тръбичка след стопера. Тръбичката не трябва да се подава в областта на крайника.

2. Поставете устния адаптер върху звуковата глава (А).

**Предпазна мярка:** Не го усуквайте.

3. Поставете устната тръбичка в ъгъла на устата.
4. Активирайте електроларинкса. Говорете около устната тръбичка.

### 2.3.5 Смяна на батерия

#### STR

Две 1,5 V никел-металхидридни (NiMH) акумулаторни AA батерии.

- Поставете батерията (F), като следвате стрелките във вътрешността на STR (Илюстрация 1)

#### TTE/P:

Използвайте само одобрени литиево-йонни батерии. Свържете се с дистрибутори за повече информация.

- Поставете батерията (F), както е показано (Илюстрация 1); тя може да се постави само по един начин. Езикът за подравняване на конектора (H) на батерията сочи нагоре, а червеният проводник надясно. (Илюстрация 1)

## 2.4 Ръководство за отстраняване на неизправности

### 2.4.1 Незадоволителна разбираемост при използване на телефона

1. Поставете микрофона на телефона нагоре до носа, а не под устата. Това ще отдалечи микрофона от stomata и звука от електроларинкса.
2. Намалете силата на звука на електроларинкса, така че нивото на звука да е възможно най-тихо, като същевременно генерира тон.

### 2.4.2 Уредът е „развален“, „счупен“ или „току-що спря да работи“

1. Уверете се, че регулаторът за силата на звука (D) не е завъртян докрай надолу, което изключва устройството.
2. Завъртете регулатора на силата на звука (D) докрай надолу до изключване.

3. Натиснете леко бутона за включване (C) и увеличете налягането. Ако в процеса устройството се активира и дезактивира, то трябва да бъде изпратено за подмяна. (Вижте 2.5.1 „Обслужване и помощ“)
4. Ако LED светлината се включва всеки път, когато се натисне бутонът за включване (C), батерията на устройството е изтощена и трябва да се зареди. (TTE/P)
5. Включете добре познатия работещ микро USB кабел към устройството. Ако при включване на устройството LED светлината мига, батерията му е разкачена. Свалете капачето за батерията и натиснете конектора на кабела на батерията (черна пластмаса, където преминават черните и червените жици) по-навътре в корпуса.

### 2.4.3 Индикаторната светлина за зареждане (L) не се включва по време на зареждане

1. Тествайте електрическия контакт с лампа.
2. Уверете се, че микро USB кабелът е напълно включен в захранването и устройството.
3. Опитайте с друг микро USB кабел.
4. Опитайте с друго захранване (USB контакт).
5. Тествайте зарядното устройство и кабела на мобилен телефон или друго устройство.

#### STP

6. Уверете се, че батерията (или батериите) е акумулаторна. Устройството няма да зарежда неакумулаторни батерии.
7. Уверете се, че батериите са поставени правилно. Проверете дали батериите имат правилна ориентация, като + на батерията е насочен към + на устройството.

#### TTE/P:

8. Включете известен работещ микро USB кабел, който е включен в устройството, и активирайте бутона за включване (C). Ако устройството се включи и LED светлината мига, тогава батерията на устройството е разкачена. Свалете капачето за батерията (G) и натиснете конектора на батерията (H) по-навътре в корпуса.

### 2.4.4 Уредът „бръмчи твърде много“ „звучи странно“, „е приглушен“ или „е неясен“

1. Уверете се, че звуковата глава (A) е в пълен контакт с кожата на шията.
2. Опитайте с друго място по шията. (Вижте 2.2.7 „Поставяне на електроларинкса на шията“)
3. Намалете силата на звука (D).
4. Регулирайте тона (K).
5. Използвайте устен адаптер (вижте „Монтиране/използване на устен адаптер/тръбичка“ 2.3.4)
6. Проверете капачето. Ако бутонът за звук изглежда разхлабен или се движи леко или пръстенът от пенест материал изглежда повреден, устройството може да се нуждае от нов пръстен от пенест материал.
7. Премахнете звуковата глава (A) и погледнете вътре.
  - Има ли малко гумено парче, залепено на място в центъра на звуковата глава (A)? Ако не, уредът се нуждае от подмяна на бутона за звук. (Вижте 2.5.1 „Обслужване и помощ“)
  - Уверете се, че диафрагмата е прикрепена към стойката на бобината. Уверете се, че бобината отскача свободно при докосване и няма усещане за пясъчинка (Илюстрация 4)

### **ТТЕ/Р:**

1. Опитайте опционалната допълнителна остра звукова глава (2.3.2 „Смяна на звуковата глава“) (Илюстрация 5)

#### **2.4.5 „Звуковата глава (А) се разпадна“ или бутонът за звук е избутан от капачето**

1. Проверете дали пръстенът от пенест материал е повреден.
2. Ако не е повреден, оригиналният пръстен от пенест материал може да бъде използван повторно и сглобен отново.
3. Ако е повреден, трябва да се смени.

### **ТТЕ/Р:**

Чувствителността на сензора на бутона може да е твърде висока. Опитайте различен РЕЖИМ, обикновено по-нисък режим.

#### **2.4.6 Бутонът „залепва“**

1. Прочетете общия съвет за почистване (2.3.1 „Поддръжка на устройството“).
2. Използвайте клечка за уши или памучен тампон с малко количество препоръчан алкохол (2.3.1 „Поддръжка на устройството“), за да почистите около бутона за включване 5 – 6 пъти, след което натиснете бутона за включване 5 – 6 пъти.
3. Редувайте натискане на бутона за включване и почистване около бутона с клечка за уши или памучен тампон. Продължете, докато престане да залепва.
4. Използвайте по-дебел лист хартия, за да премахнете остатъците, заседнали в процепа на бутона за включване.

#### **2.4.7 Непостоянен тон (ТТЕ/Р)**

Опитайте режим с по-ниска чувствителност. (Вижте 2.2.3 „Задаване на режим“)

#### **2.4.8 Непостоянен звук (ТТЕ/Р)**

Пробвайте режим, който не е режим за сила на звука. (Вижте 2.2.3 „Задаване на режим“)

#### **2.4.9 Уредът причинява смущения на радио или телевизионно приемане**

1. Преориентиране или преместване на приемащата антена.
2. Увеличаване на разстоянието между устройството и приемника.
3. Включване на устройството в контакт на електрическа верига, различна от тази, в която е включен приемникът.
4. Обърнете се към дилъра или към опитен радио-/телевизионен техник за помощ.

## **2.5 Обслужване**

### **2.5.1 Обслужване и помощ**

Електроларинксът не съдържа части, които се нуждаят от обслужване, освен тези, които се свалят от пациента. Частите за обслужване включват батериите, звуковата глава, дистанционната вложка на звуковата глава, пръстен от пенест материал, устен адаптер и устни тръбички. Свържете се с местния представител за помощ относно използването или поддръжката на Вашия електроларинкс и за поръчка на налични части.

## **2.6 Изхвърляне**

Винаги спазвайте медицинската практика и националните изисквания по отношение на биологичните опасности, когато изхвърляте използвани медицински изделия.

## 2.7 Докладване

Обърнете внимание, че всеки сериозен инцидент, който настъпи във връзка с устройството, трябва да бъде съобщаван на производителя и на местните власти в държавата, в която потребителят и/или пациентът пребивават.

## 3. Технически спецификации

Описание	Спецификация
Работна температура (за поддържане на оптимален живот на батерията)	+5°C до +25°C +41°F до +77°F
Температура на съхранение и транспортиране (за поддържане на оптимален живот на батерията)	-20°C до +25°C -4°F до +77°F
Работна влажност (за поддържане на оптимален живот на батерията)	15% до 93% относителна влажност, 700 hPa до 1060 hPa
Влажност при съхранение	0% до 45% относителна влажност
Очакван срок на експлоатация	1 – 5 години
Приложна част	Приложна част тип BF (цялото устройство)
Режим на работа	30 минути активирано устройство за 24-часов период
Източник на захранване	Вътрешно захранване
Размери	Provox SolaTone Plus 118 mm (4,6 инча); Provox TruTone Emote 113 mm (4,5 инча); Provox TruTone Plus 113 mm (4,5 инча)
Тегло	Provox SolaTone Plus 130 g (0,29 паунда); Provox TruTone Emote 130 g (0,29 паунда); Provox TruTone Plus 131 g (0,29 паунда)
Спецификации на зареждане	5 V, 750 mA минимум (или 0,75 A минимум)

## 4. Съответствие

Устройството е тествано и отговаря на IEC 60601-1-2 с ниво на изпитване, прието за домашна среда.



## 1. Tanımlayıcı bilgi

### 1.1 Kullanım amacı

Elektrolarenks, pille çalışan suni bir larenkstir, harici olarak uygulanır ve ses oluşturmak üzere larenks kullanma olanağı olmadığından kullanılması gerekir. Cihaz, gırtlak bölgesindeki deriye yerleştirildiğinde veya bir tüp aracılığıyla ağız boşluğuna takıldığında (ağız adaptörü ile), ağız ve burun boşluğunda rezonans sağlayacak şekilde mekanik titreşimler oluşturur ve ses ile iletişim sağlayacak biçimde normal olarak dil ve dudaklar aracılığıyla ayarlanabilir.

### 1.2 Kontrendikasyonlar

Bu cihaz, yalnızca Kullanım Talimatlarında açıklandığı biçimde kullanılmalıdır. Cihazı kendi başına kullanmak için gerekli fiziksel, bilişsel veya zihinsel kabiliyetlere sahip olmayan kullanıcılar, cihazı bağımsız olarak kullanmamalı ve yalnızca bir klinisyen veya eğitilmiş bir bakıcının yeterli denetimi altında kullanılmalıdır. Cihaz, kan damarlarının zayıf olduğu zayıf boyun dokusuna doğrudan uygulanmamalıdır. Bu, doku hasarına veya kanamaya neden olabilir. Söz konusu durumun mevcut olduğu hastaların cihazı kullanabilmeleri için klinisyenlerinden kullanım ve güvenli uygulama bölgesi konularında özel talimat alması gerekir.

### 1.3 Cihazın tanımı

Pille çalışan suni bir larenks olan elektrolarenks, sağlam cilde harici olarak uygulanır ve bir larenks olmadığından veya ses oluşturmak üzere larenks kullanılmadığında kullanılması gerekir.

### 1.4 Uyarılar

- Güvenlik talimatlarının izlenmemesi, kişisel yaralanma veya cihazın hasar görmesi ile sonuçlanabilir. Cihazı kullanmadan önce aşağıdaki güvenlik bilgilerinin tümünü okuyun.
- Cihazın hatalı kullanımı veya bu kullanma talimatlarının izlenmemesi, kişisel yaralanmaya ve/veya cihaz hasarına neden olabilir.
- Cihazı farklı kişiler üzerinde kullanmayın. Bu durum çapraz kontaminasyona neden olabilir. Cihaz sadece tek hastada kullanım içindir.
- Cihaz suya veya diğer sıvılara maruz kaldıysa veya bunların içine düşüyse cihazı açmayın, kullanmayın veya şarj etmeyin. Aksi takdirde kişisel yaralanma ve/veya cihaz hasarı meydana gelebilir.
- Şarj etmeden önce şarj cihazında hasar olup olmadığını kontrol edin. Yangına, kişisel yaralanmaya veya cihaz hasarına neden olabileceklerinden hasarlı veya çalışmayan şarj cihazları kullanılmamalıdır.
- Onaylanmamış şarj cihazlarının kullanımını yangına, kişisel yaralanmaya veya cihaz hasarına neden olabileceğinden, yalnızca onaylanmış şarj cihazlarını kullanın.
- Kişisel yaralanma veya cihaz hasarı meydana gelebileceğinden şarj edilebilir olmayan pilleri şarj etmeye çalışmayın.
- Kişisel yaralanma veya cihaz hasarı meydana gelebileceğinden şarj edilebilir pilleri şarj edilebilir olmayan pillerle değiştirmeyin.
- Kişisel yaralanma veya cihaz hasarı meydana gelebileceğinden pillere fiziksel olarak zarar vermeyin.
- Kişisel yaralanma veya cihaz hasarı meydana gelebileceğinden pilleri, birbirleriyle ya da bozuk para veya anahtar gibi iletken materyallerle kısa devre yapabilecek şekilde cepte, çantada, kutuda ya da çekmecede tutmayın.
- Kişisel yaralanma veya cihaz hasarı meydana gelebileceğinden akan pilleri kullanmayın.

- Kişisel yaralanma veya cihaz hasarı meydana gelebileceğinden lityum pili etiket üzerinde belirtilen sıcaklık aralıkları dışındaki sıcaklıklara maruz bırakmayın.
- Pilleri değiştirirken dikkatli olun. Pillerin hatalı takılması, aşırı ısı veya yangın gibi tehlikeli durumlara neden olabilir. Bunun sonucunda da kişisel yaralanma veya cihaz hasarı ya da başka maddi zararlar meydana gelebilir.
- Cihazda kalp pilleri veya diğer implant cihazların yanı sıra, belirli prosedür ya da tedavilerde de parazite neden olabilecek manyetik ve elektromanyetik alanlar üreten bir mıknatıs bulunur. Cihazınız ve tıbbi implant cihazları arasında en az 15 cm'lik (6") mesafe bırakın. Herhangi bir tıbbi prosedür veya tedaviden önce hekiminize danışın. Cihaz ile tıbbi implant cihazları arasında parazit olduğunu düşünüyorsanız kullanmayı durdurun ve hekiminize danışın.
- Kişisel yaralanma meydana gelebileceğinden cihazın veya aksesuarların herhangi bir kısmını stomaya sokmayın.
- Kişisel yaralanma veya cihaz hasarı meydana gelebileceğinden cihazda değişiklik yapmayın.
- Cihazda yerinden çıkarak boğulmaya neden olabilecek küçük parçalar mevcuttur. Küçük çocuklardan uzak tutun.

## 1.5 Önlemler

- Pil kapağını açarken/kapatırken pil kablolarına zarar vermemeye dikkat edin.
- Bakım talimatlarının izlenmemesi, kişisel yaralanma ve/veya cihazın hasar görmesi ile sonuçlanabilir.
- Kişisel yaralanma ve/veya cihaz hasarı meydana gelebileceğinden bozuk, modifiye edilmiş ya da değişiklik yapılmış bir cihazı asla kullanmayın veya şarj etmeyin.
- Şarj sırasında cihaz ve piller ısınabilir (45°C/113°F'ye kadar). Kullanmadan önce cihazın soğumasını bekleyin.
- Cihaz kullanım sırasında ısınabilir. Kullanım için boyna yerleştirmeden önce gerekli önlemleri alın.
- Uzun süreli kullanım durumunda bazı hassas kullanıcılar rahatsızlık duyabilir.
- Cihaz, diğer cihazların neden olduğu elektromanyetik alan paraziti nedeniyle gerektiği gibi çalışmayabilir veya çalışmayı durdurabilir.
- Dış sağlığınıza zarar verebileceğinden ağız tüpünü çiğnememeye/ısırmamaya dikkat edin.
- Cihaz hasar görebileceğinden cihazı düşürmemeye dikkat edin.
- Cihaz, omuz disfonksiyonu olan kişiler için omuzda/kolda efor hissine ve yorgunluğa neden olabilir.

## 2. Uputstvo za upotrebu

**Tanımlar:** **TTE** = *Provox TruTone Emote*, **TTP** = *Provox TruTone Plus*, **TTE/P** = *her iki Provox TruTone ürünü*, **STP** = *Provox SolaTone Plus*

### 2.1 İçerik

#### Kutu içeriği

- Elektrolarenks
- IFU — Kullanım Talimatları
- Ağız adaptörü
- Çeşitli ağız tüpleri içeren paket
- Micro USB kablosu
- Ekstra keskin ses kafası (TTE/P)
- 2 adet AA NiMH şarj edilebilir pil (STP)
- Askı ipi

## Parça spesifikasyonu (Çizim 1)

- A. Ses kafası (TTE/P için 2 adet) (STP için 1 adet) (ses düğmesi ve köpük halka dahil)
- B. Ses kafası ara parçası (TTE/P)
- C. Güç düğmesi (TTE/P modelinde Emotion™ düğmesi)
- D. Ses düğmesi
- E. Gövde
- F. Pil
- G. Pil kapağı
- H. Pil konnektörü (TTE/P)
- I. Ağız tüpü (2 + 2)
- J. Ağız adaptörü
- K. Ton (perde) ayar düğmesi
- L. LED gösterge ışığı
- M. MOD düğmesi (TTE/P)
- U. USB toz kapağı (TTE/P)
- V. USB şarj jakı

## 2.2 Çalıştırma talimatı

### 2.2.1 Ses seviyesi ve gücü

- Ses düğmesi (D) sonuna kadar indirildiğinde cihaz kapalı duruma gelir.
- Ses düğmesini (D) yukarı doğru çevirerek cihazı açın ve sesi ayarlayın.

### 2.2.2 Tonu ayarlama

- Ton ayar düğmesini (K) çevirerek tonu ayarlayın.
- Farklılıkları duymak için, ilk ayarlamayı yaparken güç düğmesini (C) basılı tutun.
- Güç düğmesi (C) basılı tutulmadan ton düğmesi (K) kullanıldığında, ton duyulamadan değiştirilir.

### 2.2.3 Modu ayarlama (TTE/P)

Modu değiştirmek için ilk olarak pil kapağını çıkarıp hem mod düğmesine (M) hem de güç düğmesine (C) basın. Mod hemen değişir ancak güç düğmesini basılı tutmaya devam ederseniz cihaz, yeni mod ayarını belirtmek için bip sesi çıkarır. Bip seslerinin sayısı ve tonu hangi moda geçildiğini gösterir.

Provox TruTone Emote (TTE) 1-6 arası altı mod, Provox TruTone Plus (TTP) ise 1-2 arası iki mod içerir.

#### 1-4 Arası Modlar: Dört ön ayarlı aralık.

Mod 1 – Neredeyse Monoton	1 Bip Sesi
Mod 2 – Kalın ton varyasyonları — 1/2 oktav aralık	2 Bip Sesi
Mod 3 – Orta ton varyasyonları	3 Bip Sesi
Mod 4 – İnce ton varyasyonları — 2 oktav aralık	4 Bip Sesi

**5-6 Arası Modlar (TTE):** Ses modu, sesi ton (K) yerine güç düğmesiyle (C) kontrol etmenizi mümkün kılar. Bu mod, ton kontrolünü kullanmayan kişilere yöneliktir ve düğmeyi oynatmadan sesi kontrol etmeye olanak tanır. Düğmeye çok hafif bir şekilde dokunduğunuzda “fısıldayarak” konuşabilir, sert bastığınızda ise son seviyede ses çıkarabilirsiniz. Ses kontrol düğmesi yine de maksimum sesinizi sınırlar. Bu modlara geçildiğinde sabit tonda bir bip sesi yerine “Vuup” sesi (artan tonla) duyulur.

Mod 5 – Düşük hassasiyet: Son ses, düğmeye daha fazla basılmasını gerektirir.	2 “Vuup Sesi”
Mod 6 – Yüksek hassasiyet: Son ses, düğmeye daha az basılmasını gerektirir.	3 “Vuup Sesi”

## 2.2.4 Ses kafasını seçme

Boyun dokunuz sertse veya gürültülü bir ortamdaysanız gri ses kafası, daha keskin sesi nedeniyle kullanılabilir. (Bkz. 2.3.2 Ses kafasını değiştirme)

## 2.2.5 Ses kafası ara parçasını kullanma (B) — (TTE/P)

Sık sık daha yüksek ton kullanıyor ve ses kafası ara parçası olmadığına sağlanan ton özelliklerini tercih ediyorsanız bu parçayı çıkarabilirsiniz. (Bkz. 2.3.3 Ses kafası ara parçasını ekleme/çıkarma)

## 2.2.6 Pili şarj etme

- USB toz kapağını (U) üst uçtan dışarı çekin. (TTE/P)
- Prizden şarj etmek için onaylanmış bir fişi kullanarak micro USB'yi USB şarj yakına (V) takın.
- LED gösterge ışığının (L) yandığından emin olun.
- Şarj işlemi tamamlandığında gücü korumak için üniteyi çıkarın. Ses kaybolmaya başlayana, yani %80'i bitene kadar kullanın.

## LED gösterge ışığı (L)

- Düşük pil (TTE/P): Güç düğmesine bastığınızda, ışık yanar. Bu şarj zamanının yaklaştığı anlamına gelir.
- Şarj ediliyor — Sabit ışık
- Şarj tamamlandı — Yanıp sönen ışık

## 2.2.7 Elektrolarenksi boyna yerleştirme

- Ses kafasını (A) boynunuza yerleştirin ve güç düğmesini (C) etkinleştirin. Cihazın herhangi bir parçasını veya aksesuarları stomaya sokmayın.
- Ses ağzınıza doldukça konuşun. Havayı dışarı zorlamayın.
- Ses kafası ve boyun arasında hava sızmadığından emin olun.
- En iyi sesi elde edene kadar farklı konumları deneyin. 3 mm/1/8" boyutunda bir pozisyon değişikliğinin bile ses seviyesini önemli ölçüde etkileyebileceğini unutmayın.
- Boynunuz üzerinden ses iletimi sağlayamıyor veya tıbbi nedenlerden ötürü cihazı boynunuza dayanacak şekilde yerleştiremiyorsanız yanağınıza yerleştirmeyi ya da ağız adaptörünü kullanmayı deneyin (Bkz. isteğe bağlı ağız adaptörünü/tüpünü yerleştirme/kullanma 2.3.4).
- Baz tonu kalınlaştırmak veya inceltmek sesi iyileştirebilir.
- Orta aralık tonlarının duyulması çoğu kişi için daha kolaydır.

## 2.2.8 İsteğe bağlı ağız adaptörü ve ağız tüpleri

Boynunuzun hassas olması veya aşırı cızırtı çıkması nedeniyle boyna yerleştirme seçeneği sizin için uygun değilse ağız adaptörünü kullanabilirsiniz. (Ağız adaptörünü/tüpünü yerleştirme/kullanma 2.3.4)

## 2.2.9 Demonstrasyon kullanımına yönelik yönergeler

### Uyarı!

Ağız adaptörü, ağız tüpü ve ses kafası yalnızca tek hastada kullanıma yöneliktir ve birden fazla hastada yeniden kullanılmamalıdır.

### Önlemler!

Her hastadan ve demonstrasyon kullanımından sonra bakım talimatlarına uygun şekilde cihazın bakımını yapın.

- Demonstrasyon kullanımı, hastanın cihaz için uygunluğunun belirlenmesi için gerçekleştirilir.
- Kullanıcılar ellerini temizlemeli ve izopropil alkol (IPA) veya diğer uygun dezenfektanlar ile dezenfekte etmeli ya da eldiven kullanmalıdır.
- Ses kafası (A) (ses düğmesi ve köpük halka dahil) bir hastada kullanıldıktan sonra değiştirilmeli ve atılmalıdır (2.3.2 Ses kafasını değiştirme).

- Cihaz, 2.3.1 Cihazın bakımı bölümüne uygun şekilde her hastadan önce ve sonra silinmelidir.

## 2.3 Bakım ve parça değişimi

### 2.3.1 Cihazın bakımı

- Bakım işlemleri, kullanıcının sorumluluğundadır. Bakım her kullanımdan sonra gerçekleştirilmelidir.
- Cihazı temiz, kuru bir bezle veya gerekiyorsa hafif nemli bir bezle (su akacak kadar ıslak olmamalı) silin. Yumuşak sabunlu su veya %50-75 İzopropilalkol kullanın.
- Cihazın içine su kaçmamasına dikkat edin.
- Elektrikli veya spreyli temizleyiciler kullanmayın.

### 2.3.2 Ses kafasını değiştirme (Çizim 5)

Yedek ses kafaları için yerel temsilcinizle iletişime geçin.

1. Cihazı 2.3.1 Bakım bölümüne uygun şekilde silin. Hafifçe basınç uyguladığınızdan ve güç düğmesini daire çizme veya döndürme hareketiyle sildiğinizden emin olun. Gövdeyi sildikten sonra, üst ses düğmesinin yerinden çıkmasına neden olacak aşırı bir basınç uygulamadan ses kafası başlığını silin.
2. Ses kafasını çevirerek çıkarın.
3. Ses kafası ara parçasının (B) takılı kaldığından emin olun. Ara parça bozuk veya eksikse, yeni ses kafasını (A) (TTE/P) yerleştirmeden önce değiştirin (Bkz. 2.3.3 Ses kafası ara parçasını ekleme/çıkarma).
4. Yeni bir ses kafası (A) takın.

**Önem:** Ses kafasının altındaki silikon diyaframını çıkarmayın. Silikon diyafram, ses bobininin/aktüatörün gövdesi üzerindeki yuvanın içinde kalmalıdır. (Çizim 3)

**Önem:** Ses bobini/aktüatörü çevirmeyin. Teller, ses bobini/aktüatör çevresine pürüzsüz şekilde dolanmış olmalıdır. (Çizim 3)

### 2.3.3 Ses kafası ara parçasını ekleme/çıkarma (Çizim 2)

1. Ses kafasını sökün.
2. Ara parçayı ekleyin/çıkartın.
3. Ses kafasını geri takın.
4. Ton kalitesini dinleyerek cihazı test edin. Ara parçanın kullanılmadığı ton kalitesini tercih etmeniz halinde ara parçayı cihazınızın kutusu gibi güvenli bir yerde sakladığınızdan emin olun.

### 2.3.4 Ağız adaptörünü/tüpünü yerleştirme/kullanma (Çizim 3)

1. Ağız tüpünü (I) ağız adaptörünün (J) üstüne yerleştirin.

**Önem:** Ağız tüpünü durduktan sonra ilerletmeye çalışmayın. Tüpün, başlık bölümünde çikıntı yapmadığından emin olun.

2. Ağız adaptörünü ses kafasının (A) üstüne yerleştirin.

**Önem:** Çevirerek takmayın.

3. Ağız tüpünü ağız köşesine yerleştirin.
4. Elektrolarenksi etkinleştirin. Ağız tüpünün ağız hareketlerinizi minimum düzeyde etkilediğinden emin olun.

### 2.3.5 Pili değiştirme

#### STP

İki adet 1,5 V Nikel Metal Hidrit (NiMH) şarj edilebilir AA pil.

- STP'nin iç kısmındaki okları izleyerek pili (F) takın (Çizim 1)

## **TTE/P:**

Yalnızca onaylı Li-Ion pilleri kullanın. Daha fazla bilgi için distribütörlerle iletişime geçin.

- Pili (F) gösterilen şekilde takın (Çizim 1). Pil yalnızca tek bir şekilde yerine oturur. Pil konektörü (H) hizalama tırnağı, kırmızı telin yönü sağa doğru olacak şekilde yukarı bakmalıdır. (Çizim 1)

## **2.4 Sorun giderme kılavuzu**

### **2.4.1 Telefon kullanımı sırasında yetersiz seviyede anlaşılabilirlik**

1. Telefon mikrofonunu ağzın altına değil burna doğru yerleştirin. Bu, mikrofonun stoma ve elektrolarenks sesinden uzaklaşmasını sağlar.
2. Elektrolarenksin sesini azaltarak ses seviyesinin hâlâ ton oluşturmaya devam edecek şekilde, mümkün olduğunca alçak olmasını sağlayın.

### **2.4.2 "Arızalı", "bozuk" veya "çalışmayı durduran" Ünite**

1. Ses düğmesinin (D) cihazı kapatacak şekilde sonuna kadar indirilmediğinden emin olun.
2. Ses düğmesini (D) sonuna kadar indirerek cihazı kapalı duruma getirin.
3. Güç düğmesine (C) hafifçe basın ve baskıyı artırın. Cihaz bu süreçte etkinleşip devre dışı kalırsa cihazın değişim için gönderilmesi gerekir. (Bkz. 2.5.1 Servis ve yardım)
4. LED, güç düğmesine (C) her basıldığında yanıyorsa cihazın pili azdır ve şarj edilmesi gerekmektedir. (TTE/P)
5. Çalıştığını bildiğiniz, güce bağlı bir micro USB kablosunu cihaza takın. Cihaz açılır ve LED yanıp sönerse cihazın pili takılı değildir. Pil kapağını çıkarın ve pil kablosu konektörüne (siyah ve kırmızı tellerin bulunduğu siyah plastik muhafazanın içinde daha fazla ilerlemesini sağlayacak şekilde bastırın.

### **2.4.3 Şarj sırasında şarj ışığı (L) yanmıyor**

1. Güç prizini bir lamba ile test edin.
2. Micro USB kablosunun güç kaynağına ve cihaza tam olarak takılı olduğundan emin olun.
3. Farklı bir micro USB kablosu deneyin.
4. Farklı bir güç kaynağı (USB güç prizi) deneyin.
5. Şarj cihazını ve kabloyu bir cep telefonu veya diğer bir cihaz üzerinde test edin.

## **STP**

6. Pilin (veya pillerin) şarj edilebilir olduğundan emin olun. Cihaz, şarj edilebilir olmayan pilleri şarj etmeyecektir.
7. Pillerin doğru şekilde takıldığından emin olun. Pillerin, pilin + kutbu ile cihazın + kutbu eşleşecek şekilde doğru yönde takılıp takılmadığını kontrol edin.

## **TTE/P:**

8. Çalıştığını bildiğiniz, güce bağlı bir micro USB kablosunu cihaza takın ve güç düğmesini (C) etkinleştirin. Cihaz açılır ve LED yanıp sönerse cihazın pili takılı değildir. Pil kapağını (G) çıkarın ve pil konektörüne (H) muhafazanın içinde fazla ilerlemesini sağlayacak şekilde bastırın.

### **2.4.4 Ünite "çok fazla cızırtı yapıyor", "garip ses çıkıyor", "boğuk ses çıkıyor" veya "net duyulmuyor"**

1. Ses kafasının (A) boynun cilt kısmıyla tamamen temas halinde olduğundan emin olun.
2. Boyun üzerinde farklı bir konumu deneyin. (Bkz. 2.2.7 Elektrolarenksi boyna yerleştirme)
3. Sesi azaltın (D).

4. Tonu ayarlayın (K).

5. Ağız adaptörünü kullanın (Bkz. Ağız adaptörünü/tüpünü yerleştirme/kullanma 2.3.4).

6. Kapağı inceleyin. Ses düğmesi gevşek görünüyorsa veya biraz hareket etmişse ya da köpük halka cihaza hasar vermişse, cihazı için yeni bir köpük halka gerekli olabilir.

7. Ses kafasını (A) çıkarın ve içine bakın.

• Ses kafasının (A) ortasında yapıştırılmış küçük bir kauçuk parça mevcut mu? Mevcut değilse ünitenin ses düğmesinin değiştirilmesi gerekir. (Bkz. 2.5.1 Servis ve yardım)

• Diyaframın ses bobininin direğine takılı olduğundan emin olun. Ses bobininin dokunulduğunda serbestçe yaylandığından ve pütürlü bir his vermediğinden emin olun (Çizim 4)

#### **TTE/P:**

1. İsteğe bağlı ekstra keskin ses kafasını deneyin (2.3.2 Ses kafasını değiştirme) (Çizim 5)

#### 2.4.5 "Ses kafası (A) parçalandı" veya ses düğmesi kapağın dışına itildi

1. Köpük halkanın hasarlı olup olmadığını kontrol edin.

2. Hasarlı değilse orijinal köpük halka yeniden kullanılabilir ve tekrar monte edilebilir.

3. Hasarlı ise değiştirilmesi gerekir.

#### **TTE/P:**

Düğme sensörünün hassasiyeti fazla yüksek olabilir. Farklı bir MOD deneyin; bu tipik olarak daha düşük bir mod olacaktır.

#### 2.4.6 Düğme "takılıyor"

1. Genel temizleme önerilerini okuyun (2.3.1 Cihazın bakımı)

2. Önerilen alkolden (2.3.1 Cihazın bakımı) az miktarda kullanarak bir kulak pamuğu veya temizleme çubuğu ile güç düğmesinin çevresini 5-6 kez temizleyin ve ardından güç düğmesine 5-6 kez basın.

3. Güç düğmesine basma ve düğmenin çevresini kulak pamuğu veya temizleme çubuğu ile temizleme işlemlerini değişimli olarak yapın. Düğmenin takılma sorunu ortadan kalkana kadar devam edin.

4. Güç düğmesi girintisine sıkışan kiri çıkarmak için daha kalın bir kağıt parçası kullanın.

#### 2.4.7 Sabit olmayan ton (TTE/P)

Daha düşük hassasiyete sahip bir mod deneyin. (Bkz. 2.2.3 Modu ayarlama)

#### 2.4.8 Sabit olmayan ses seviyesi (TTE/P)

Ses modu dışında bir mod deneyin. (Bkz. 2.2.3 Modu ayarlama)

#### 2.4.9 Ünite radyo veya TV yayını ile parazite neden oluyor

1. Alıcı antenin yönünü veya bulunduğu konumu değiştirmek.

2. Ekipman ve alıcı arasındaki mesafeyi artırmak.

3. Ekipmanı, alıcının bağlı olduğu elektrik devresinde bulunmayan, farklı bir prize takmak.

4. Yardım almak için satıcıyla veya deneyimli bir radyo/televizyon teknisyeniyle görüşmek.

## 2.5 Servis

### 2.5.1 Servis ve yardım

Elektrolarenks, hasta tarafından çıkarılabilen parçalar dışında servis işlemi uygulanabilir bir parça içermemektedir. Servis işlemi uygulanabilir parçalar; piller, ses kafası, ses kafası ara parçası, köpük halka, ağız adaptörü ve ağız tüpleridir. Elektrolarenks cihazınızın kullanımı veya bakımı ve mevcut parçaların siparişi konusunda yardım için yerel temsilcinizle iletişime geçin.

## 2.6 Atma

Kullanılmış bir tıbbi cihazı atarken biyolojik tehlikelerle ilgili tıbbi uygulamalara ve ulusal gerekliliklere daima uyun.

## 2.7 Bildirme

Cihazla ilgili meydana gelen herhangi bir ciddi olay üreticiye ve kullanıcının ve/veya hastanın ikamet ettiği ülkedeki ulusal yetkili makama bildirilmelidir.

# 3. Teknik spesifikasyonlar

Açıklama	Spesifikasyon
Çalışma sıcaklığı (optimum pil ömrünün korunması için)	+5°C ila +25°C +41°F ila +77°F
Saklama ve nakliye sıcaklığı (optimum pil ömrünün korunması için)	-20°C ila +25°C -4°F ila +77°F
Çalışma nemi (optimum pil ömrünün korunması için)	%15 ila %93 bağıl nem, 700 hPa ila 1060 hPa
Saklama nemi	%0 ila %45 bağıl nem
Beklenen kullanım ömrü	1-5 yıl
Uygulamalı parça	BF Tipi Uygulamalı Parça (cihazın tamamı)
Çalıştırma modu	24 saatlik bir dönemde 30 dakikalık çalıştırma
Güç kaynağı	Güç dahili olarak sağlanır
Boyutlar	Provox SolaTone Plus 118 mm (4,6 inç); Provox TruTone Emote 113 mm (4,5 inç); Provox TruTone Plus 113 mm (4,5 inç)
Ağırlık	Provox SolaTone Plus 130 g (0,29 libre); Provox TruTone Emote 130 g (0,29 libre); Provox TruTone Plus 131 g (0,29 libre)
Şarj spesifikasyonu	5 V, minimum 750 mA (veya minimum 0,75 A)

## 4. Uyumluluk

Cihaz, test seviyesi ev ortamına uyarlanmış şekilde test edilmiş ve IEC 60601-1-2 ile uyumlu bulunmuştur.



# 1. Նկարագրական տեղեկություններ

## 1.1 Օգտագործման նպատակը

Էլեկտրակոկորդը մարտկոցի սնուցմամբ արհեստական կոկորդ է, որն ամրացվում է արտաքին կողմից և նպատակ ունի օգտագործվել, երբ կոկորդով չեն կարողանում ձայն հանել: Էլեկտրակոկորդը կոկորդի մաշկի շրջանում տեղադրելիս կամ խողովակը բերանի խոռոչում տեղակայելիս (բերանային հարմարակցիչի հետ միասին) սարքը ստեղծում է մեխանիկական թրթռոցներ, որոնք արձագանքվում են բերանի կամ քթի խոռոչներում և նորմալ կերպով կարող են ելևէջվել լեզվով կամ շրթունքներով՝ թույլ տալով խոսքի ստեղծում:

## 1.2 Հակացուցումներ

Սարքը պետք է օգտագործվի միայն Օգտագործման հրահանգներին համապատասխան: Այն օգտվողները, ովքեր չունեն ֆիզիկական, ճանաչողական և մտավոր ունակություններ սարքից օգտվելու համար, չպետք է ինքնուրույն գործարկեն սարքը և պետք է օգտագործեն այն միայն այն դեպքում, եթե գտնվում են կլինիկայի մասնագետի կամ վերապատրաստված խնամակալի հսկողության տակ: Սարքը չպետք է ուղղակիորեն կիրառվի թույլ արյունատար անոթներ ունեցող պարանոցի փափուկ հյուսվածքի վրա: Մա կարող է վնասել հյուսվածքները կամ արյունահոսություն առաջացնել: Այսպիսի վիճակով հիվանդները սարքը պետք է օգտագործեն միայն, երբ հատուկ ցուցումներ են ստացել իրենց կլինիկայի մասնագետի կողմից՝ թե ինչպես և որտեղ անվտանգ կերպով կիրառել այն:

## 1.3 Սարքի նկարագրությունը

Էլեկտրակոկորդը մարտկոցի սնուցմամբ արհեստական կոկորդ է, որն ամրացվում է արտաքին կողմից անվնաս մաշկին և նպատակ ունի օգտագործվել կոկորդի բացակայության դեպքում կամ, երբ կոկորդով չեն կարողանում ձայն հանել:

## 1.4 Չգուշացումներ

- Անվտանգության հրահանգներին չհետևելու դեպքում կարող են առաջանալ մարմնական վնասվածքներ կամ սարքը կարող է վնասվել: Սարքն օգտագործելուց առաջ կարդացեք ստորև ներկայացված անվտանգության բոլոր տեղեկությունները:
- Սարքը սխալ օգտագործելու կամ սույն Օգտագործման հրահանգներում ներկայացված հրահանգներին չհետևելու դեպքում կարող են առաջանալ մարմնական վնասվածքներ և/կամ սարքը կարող է վնասվել:
- Սարքը մի օգտագործեք տարբեր մարդկանց վրա, դա կարող է խաչաձև վարակ առաջացնել: Սարքը նախատեսված է միայն մեկ հիվանդի օգտագործման համար:
- Մի միացրեք, մի օգտագործեք և մի լիցքավորեք սարքը, եթե այն հայտնվել է կամ ընկել է ջրի կամ այլ հեղուկների մեջ, քանի որ դա կարող է առաջացնել մարմնական վնասվածքներ և/կամ վնասել սարքը:
- Լիցքավորելուց առաջ ստուգեք լիցքավորիչը վնասվածքների առկայության համար: Վնասված կամ չաշխատող լիցքավորիչն այլևս չպետք է օգտագործվի, քանի որ այն կարող է հրդեհի, մարմնական վնասվածքների պատճառ դառնալ կամ վնասել սարքը:
- Օգտագործեք միայն արտոնված լիցքավորիչներ, քանի որ չարտոնված լիցքավորիչների օգտագործումը կարող է հրդեհի, մարմնական վնասվածքների պատճառ դառնալ կամ վնասել սարքը:
- Մի փորձեք լիցքավորել չվերալիցքավորվող մարտկոցները, քանի որ դա կարող է մարմնական վնասվածքներ առաջացնել կամ վնասել սարքը:

- Մի փորձեք փոխարինել լիցքավորվող մարտկոցները չվերալիցքավորվող մարտկոցներով, քանի որ դա կարող է մարմնական վնասվածքներ առաջացնել կամ վնասել սարքը:
- Ֆիզիկապես մի վնասեք մարտկոցները, քանի որ դա կարող է մարմնական վնասվածքներ առաջացնել կամ վնասել սարքը:
- Մի պահեք մարտկոցները գրպանում, պայուսակում, տուփում կամ դարակում և այլ տեղերում, որտեղ դրանք կարող են առաջացնել կարճ միացում միմյանց հետ, կամ ենթարկվել կարճ միացման էլեկտրահաղորդ նյութերից, ինչպես օրինակ՝ մետաղադրամներից կամ բանալիներից. դա կարող է մարմնական վնասվածքներ առաջացնել կամ վնասել սարքը:
- Մի օգտագործեք արտահոսք ունեցող մարտկոցները, քանի որ դա կարող է մարմնական վնասվածքներ առաջացնել կամ վնասել սարքը:
- Մի պահեք կամ օգտագործեք լիթիումային մարտկոցը պիտակի վրա նշված ջերմաստիճանի սահմաններից դուրս ջերմաստիճանային պայմաններում, քանի որ դա կարող է մարմնական վնասվածքներ առաջացնել կամ վնասել սարքը:
- Մարտկոցները փոխելիս զգույշ եղեք: Մարտկոցների սխալ տեղադրումը կարող է հանգեցնել այնպիսի վտանգավոր իրավիճակի, ինչպես օրինակ՝ չափազանց շատ տաքացումը կամ հրդեհը, դա կարող է մարմնական վնասվածքներ առաջացնել կամ վնասել սարքը կամ այլ տեսակի գույքը:
- Մարքի մեջ տեղադրված է մագնիս, որն առաջացնում է մագնիսական և էլեկտրամագնիսական դաշտեր, որոնք կարող են խանգարել կարդիոստիմուլյատորների կամ փոխպատվաստված այլ սարքերի աշխատանքին, ինչպես նաև որոշակի պրոցեդուրաներին կամ բուժումներին: Պահպանեք նվազագույնը 6"/15 սմ տարածություն սարքի և բժշկական միջամտության եղանակով ինյուստավորված սարքերի միջև: Խորհրդակցեք Ձեր բժշկի հետ, նախքան ցանկացած բժշկական պրոցեդուրա կատարելը կամ բուժումը: Եթե սարքի և բժշկական միջամտության եղանակով ինյուստավորված սարքերի միջև ենթադրվում է փոխազդեցություն, դադարեցրեք օգտագործումը և խորհրդակցեք Ձեր բժշկի հետ:
- Մի մտցրեք սարքի կամ արտետուարների որևէ մաս մարմնի բացվածքների մեջ, դա կարող է մարմնական վնասվածքներ առաջացնել:
- Մի փոփոխեք սարքը, քանի որ դա կարող է մարմնական վնասվածքներ առաջացնել կամ վնասել սարքը:
- Մարքը պարունակում է փոքր մասեր, որոնք կարող են շարժվել և առաջացնել խեղդվելու վտանգ: Հեռու պահեք փոքր երեխաներից:

## 1.5 Նախազգուշացումներ

- Մարտկոցի կափարիչը բացելիս/փակելիս զգույշ եղեք, որ չվնասեք մարտկոցի լարերը:
- Տեխնիկական սպասարկման հրահանգներին չհետևելու դեպքում կարող են առաջանալ մարմնական վնասվածքներ և/կամ սարքը կարող է վնասվել:
- Երբեք մի օգտագործեք և մի լիցքավորեք կոտրված, փոփոխված կամ ձևափոխված սարք, քանի որ դա կարող է մարմնական վնասվածքներ առաջացնել և/կամ վնասել սարքը:
- Լիցքավորելիս սարքը և մարտկոցները կարող են տաքանալ (մինչև 45 °C/113 °F): Օգտագործելուց առաջ թողեք, որ սարքը սառչի:
- Օգտագործման ընթացքում սարքը կարող է տաքանալ: Պարանոցին դնելիս անհրաժեշտ նախազգուշական միջոցներ կիրառեք:
- Հաճախակի օգտագործման դեպքում թրթռումների պատճառով որոշ զգայուն օգտվողների մոտ կարող է անհարմարության զգացում առաջանալ:
- Մարքը կարող է փչանալ կամ այլևս չաշխատել այլ սարքերի էլեկտրամագնիսական դաշտի միջամտության պատճառով:

- Չգույշ եղեր՝ չծամեր/չկծեր բերանի խողովակը, քանի որ դա կարող է վնասել ատամները:
- Չգույշ եղեր, որ սարքը չընկնի, այն կարող է վնասվել:
- Մարքը կարող է առաջացնել լարվածության զգացում և հոգնածություն ուսի/ձեռքի շրջանում այն մարդկանց մոտ, ովքեր ուսի դիսֆունկցիա ունեն:

## 2. Օգտագործման հրահանգներ

**Սահմանումները.** **TTE** = *Provox TruTone Emote*, **TTP** = *Provox TruTone Plus*, **TTE/P** = *կրկու Provox TruTone արտադրանքն էլ*, **STP** = *Provox SolaTone Plus*

### 2.1 Բովանդակություն

#### Տուփի պարունակությունը

- Էլեկտրակոկորդ
- IFU – Օգտագործման հրահանգներ
- Բերանային հարմարիչ
- Բազմաթիվ բերանի խողովակների հավաքակազմ
- Միկրո USB մալուխ
- Շատ սուր ձայնային գլխիկ (TTE/P)
- 2 AA NiMH լիցքավորվող մարտկոցներ (STP)
- Չգասարք

#### Մասի բնութագրեր (Նկար 1)

- A. Չայնային գլխիկ (x2 TTE/P) (x1 STP) (ներառյալ ձայնային կոճակը և պենոնյութից օղակը)
- B. Չայնային գլխիկի միջադիր (TTE/P)
- C. Հոսանքի սնուցման կոճակ (Emotion™ կոճակ TTE/P-ում)
- D. Չայնի ուժգնության կարգավորիչ
- E. Կորպուս
- F. Մարտկոց
- G. Մարտկոցի կափարիչ
- H. Մարտկոցի միակցիչ (TTE/P)
- I. Բերանի խողովակ (2 + 2)
- J. Բերանային հարմարիչ
- K. Տոնայնության (ըարձրության) փոփոխման կարգավորիչ
- L. LED ցուցիչի լույս
- M. Ռեժիմի կոճակ (TTE/P)
- U. USB-ի փոշուց պաշտպանող կափարիչ (TTE/P)
- V. USB լիցքավորման բնիկ

### 2.2 Գործարկման հրահանգներ

#### 2.2.1 Չայնի ուժգնության մակարդակ և հզորություն

- Չայնի ուժգնության կարգավորիչը (D) մինչև վերջ անջատված է:
- Միացրեք սարքը և կարգաբերեք ձայնի ուժգնությունը՝ պտտելով ձայնի կարգավորիչը դեպի վեր (D):

#### 2.2.2 Տոնայնության կարգաբերումը

- Կարգաբերեք տոնայնությունը՝ պտտելով տոնայնության կարգաբերման կարգավորիչը (K):
- Սեղմած պահեք միացման կոճակը (C)՝ տարբերությունները լսելու համար ձեր նախնական կարգաբերումը կատարելիս:
- Տոնայնության կարգավորիչը (K) առանց միացման կոճակը (C) սեղմած պահելու օգտագործելու դեպքում տոնայնությունը նույնպես փոխվում է, սակայն այն լսելու հնարավորություն չի լինում:

### 2.2.3 Ռեժիմի կարգավորում (TTE/P)

Ռեժիմը փոխելու համար նախ հանեք մարտկոցի կափարիչը, այնուհետև միաժամանակ սեղմեք ռեժիմի կոճակը (M) և միացման կոճակը (C): Ռեժիմն անմիջապես փոխվում է, սակայն եթե շարունակեք սեղմած պահել միացման կոճակը, սարքը ձայնային ազդանշան կտա՝ ցույց տալով նոր ռեժիմի կարգավորումը: Ազդանշանների քանակը և տոնայնությունը ցույց են տալիս ընտրված ռեժիմը:

Provox TruTone Emote-ը (TTE) 1-6 ռեժիմ ունի, իսկ Provox TruTone Plus-ն (TTP) ունի երկու ռեժիմ՝ 1-2:

**1-4 ռեժիմներ.** Չորս նախապես տեղակայված դիապազոններ:

Ռեժիմ 1 – Գրեթե մոնոտոնային	1 ազդանշան
Ռեժիմ 2 – Ցածր տոնայնության ելևէջներ – 1/2 օկտավայի դիապազոն	2 ազդանշան
Ռեժիմ 3 – Միջին տոնայնության ելևէջներ	3 ազդանշան
Ռեժիմ 4 – Բարձր տոնայնության ելևէջներ, 2-օկտավայի դիապազոն	4 ազդանշան

**5-6 ռեժիմներ (TTE).** Չայնի ուժգնության ռեժիմը թույլ է տալիս կառավարել ձայնի ուժգնությունը միացման կոճակով (C) տոնայնության (K) փոխարեն: Մա այն օգտվողների համար է, որոնք չեն օգտագործում տոնայնության վերահսկումը, և այն թույլ է տալիս կարգավորել ձայնն առանց կարգավորիչը պտտելու: Չափազանց մեղմ հպումը թույլ է տալիս Ձեզ խոսել «շշուկով», իսկ ամուր սեղմումը բարձրացնում է ձայնն առավելագույնի: Չայնի կառավարման կարգավորիչն այնուամենայնիվ սահմանափակում է Ձեր ձայնի առավելագույն ձայնը: Այս ռեժիմները միացնելու արդյունքում կառաջանա «Բարձրացող տոնայնությամբ» ձայն, այլ ոչ թե համաչափ ազդանշան:

Ռեժիմ 5 – ցածր զգայնություն – ամբողջական ձայնը միացնելու համար անհրաժեշտ է ավելի ամուր սեղմում:	2 «Բարձրացող տոնայնությամբ»
Ռեժիմ 6 – բարձր զգայնություն – ամբողջական ձայնը պահանջում է ավելի թույլ սեղմում:	3 «Բարձրացող տոնայնությամբ»

### 2.2.4 Ձայնային գլխիկի ընտրությունը

Եթե Ձեր պարանոցի հյուսվածքը կոպիտ է կամ գտնվում էք աղմկոտ միջավայրում: Մոխրագույն ձայնային գլուխը կարող է օգտագործվել ավելի սուր ձայնի պատճառով: (Տես 2.3.2 բաժինը՝ Ինչպես փոխել ձայնային գլխիկը)

### 2.2.5 Ինչպես օգտագործել ձայնային գլխիկի միջադիր տափօղակը (B) – (TTE/P)

Եթե Դուք պարբերաբար եք օգտագործում ավելի բարձր տոնայնությունը և նախընտրում եք տոնային որակներն առանց ձայնային գլխիկի միջադիրի, կարող եք հեռացնել այն: (Տես 2.3.3 բաժինը՝ Ձայնային գլխիկի միջադիրի ավելացումը/հեռացումը)

### 2.2.6 Մարտկոցի լիցքավորումը

• Դուք բաշեք USB փոշուց պաշտպանող կափարիչը (U) վերևի ծայրից: (TTE/P)

• Տեղադրեք միկրո USB-ն USB լիցքավորման բնիկի մեջ (V)՝ պատի վարդակից լիցքավորման համար հաստատված խրոցակով:

• Համոզվեք, որ LED ցուցիչ լույսը (L) վառվում է:

• Անջատեք սարքը լիցքավորումն ավարտելուց հետո՝ խնայելու էլեկտրաէներգիան: Օգտագործեք, քանի դեռ ձայնը չի թուլացել, ինչը նշանակում է, որ մարտկոցի լիցքը 80%-ով քիչ է:

### LED ցուցիչի լույս (L)

• Մարտկոցը լիցքաթափված է (TTE/P) – Լույսը միանում է, երբ սեղմում եք միացման կոճակը՝ ազդանշան տալով, որ լիցքավորման ժամանակը մոտենում է:

- Լիցքավորում – Կայուն լույս
- Ամբողջական լիցքավորում – Թարթող լույս

### 2.2.7 Էլեկտրակոկորդի տեղադրումը վզի վրա

- Տեղադրեք ձայնային գլխիկը (A) Ձեր վզի վրա և սեղմեք միացնելու կոճակը (C): Մի տեղադրեք սարքի որևէ մասը կամ որևէ արքեսուար ստոմայում (բերանակցման բացվածք):
- Սկսեք խոսել, որպեսզի ձայնը փոխանցվի Ձեր բերան: Մի լարեք ձայնավարերը:
- Համոզվեք, որ ձայնային գլխիկը հերմետիկ կերպով տեղադրված է Ձեր վզի վրա:
- Փորձեք մի քանի դիրքեր՝ լավագույն ձայն ստանալու համար: Նկատի ունեցեք, որ անգամ 3 մմ / 1/8" դիրքի փոփոխությունը կարող է չափազանց մեծ ազդեցություն ունենալ ձայնի ուժգնության վրա:
- Եթե չեք կարողանում ստանալ ձայնի փոխանցումը պարանոցի միջոցով կամ բժշկական պատճառներից ելնելով չեք կարող սարքը դնել Ձեր պարանոցին, փորձեք տեղադրել այտին կամ օգտագործեք բերանային հարմարիչը (Տես 2.3.4 բաժինը՝ Լրացուցիչ բերանային հարմարիչի/ խողովակի տեղադրումը/օգտագործումը):
- Հիմնական տոնայնության վեր կամ վար փոփոխելը կարող է առաջացնել ավելի լավ ձայն:
- Միջին դիապազոնի ձայներն ավելի հեշտ լսելի են մարդկանց մեծամասնության կողմից:

### 2.2.8 Բերանային լրացուցիչ հարմարիչ և բերանի խողովակներ

Եթե պարանոցին տեղադրումը Ձեզ հարմար չէ՝ նուրբ պարանոցի կամ ավելորդ բզզոցի պատճառով, կարող եք օգտագործել բերանային հարմարիչը: (Բերանային հարմարիչի/խողովակի տեղադրումը/օգտագործումը 2.3.4)

### 2.2.9 Ցուցադրական օգտագործման ցուցումներ

#### Զգուշացում

Բերանային հարմարիչը, խողովակը և ձայնային գլխիկը նախատեսված են մեկ հիվանդի օգտագործման համար և չպետք է փոխանցվեն մի հիվանդից մյուսին:

#### Նախազգուշացում

Կատարեք սարքի տեխնիկական սպասարկում յուրաքանչյուր հիվանդից և ցուցադրական օգտագործումից հետո՝ համաձայն տեխասպասարկման հրահանգների:

- Ցուցադրական օգտագործումը նախատեսված է հիվանդի համար սարքի համապատասխանությունը որոշելու համար:
- Օգտագործողները պետք է մաքրեն և ախտահանեն ձեռքերը իզոպրոպիլային սպիրտով (IPA) կամ այլ համապատասխան ախտահանիչ միջոցներով կամ ձեռնոցներ հագնեն:
- Ձայնային գլխիկը (A) (ներառյալ ձայնային կոճակը և պենոնյութից օղակը) պետք է փոխարինվի և դնել թափվի յուրաքանչյուր հիվանդից հետո (2.3.2. Ձայնային գլխիկի փոխարինումը):
- Մարքը պետք է մաքրվի յուրաքանչյուր հիվանդից առաջ և հետո՝ համաձայն սարքի տեխնիկական սպասարկման 2.3.1 կետի:

## 2.3 Տեխնիկական սպասարկում և մասերի փոփոխում

### 2.3.1 Սարքի տեխնիկական սպասարկումը

- Տեխնիկական սպասարկման գործողությունները պետք է կատարվեն օգտագործողի կողմից: Տեխնիկական սպասարկումը պետք է կատարվի յուրաքանչյուր օգտագործումից հետո:

- Մարքը սրբեք մաքուր, չոր շորով կամ, անհրաժեշտության դեպքում, մի փոքր խոնավ շորով (թաց չլինի): Օգտագործեք ջուր մի փոքր օճառով կամ 50-75% իզոպրոպիլային սպիրտ:
- Չգույշ եղեք, որպեսզի սարքի ներսում խոնավություն չանցնի:
- Մի օգտագործեք էլեկտրական կամ ցողացիր մաքրող միջոցներ:

### 2.3.2 Ձայնային գլխիկի փոխարինումը (Նկար 5)

Ձայնային գլխիկները նորերով փոխարինելու համար դիմեք Ձեր տարածքային ներկայացուցչին:

1. Մարքը մաքրեք կտորով 2.3.1 կետի համաձայն: Տեխնիկական սպասարկումը: Թեթևակի սեղմելով մաքրեք միացման կոճակը շրջանաձև կամ պտտող շարժումներով: Կորպուսը մաքրելուց հետո մաքրեք ձայնային գլխիկի կափարիչը. զգույշ եղեք, չափազանց ուժեղ չսեղմեք, դա կարող է հանգեցնել վերին ձայնային կոճակի ապամոնտաժմանը:
2. Թուլացրեք ձայնային գլխիկի պտուտակները և հեռացրեք այն:
3. Համոզվեք, որ ձայնային գլխիկի միջադիրը (B) տեղում է: Փոխեք այն, եթե կոտրված է կամ բացակայում է, այնուհետև նոր ձայնային գլխիկ (A) (TTE/P) տեղադրեք (տես 2.3.3 բաժինը՝ Ձայնային գլխիկի միջադիրի ավելացումը/ հեռացումը):
4. Տեղադրեք նոր ձայնային գլխիկը (A):

**Նախազգուշացում.** Մի հեռացրեք ձայնային գլխիկի տակ գտնվող սիլիկոնե դիաֆրագման: Սիլիկոնե դիաֆրագման պետք է մնա պարուրակի/գործարկիչի հիմքում: (Նկար 3)

**Նախազգուշացում.** Մի տեղաշարժեք պարուրակը/գործարկիչը: Լարերը պետք է սահուն պտտվեն պարուրակի/գործարկիչի շուրջ: (Նկար 3)

### 2.3.3 Ձայնային գլխիկի միջադիրի ավելացումը/հեռացումը (Նկար 2)

1. Թուլացրեք ձայնային գլխիկի պտուտակը:
2. Միջադիրի ավելացումը/հեռացումը:
3. Կրկին ամրացրեք ձայնային գլխիկը պտուտակով:
4. Փորձարկեք սարքը՝ լսելով տոնայնության որակներին: Եթե նախատեսում եք ունենալ տոնայնության որակներն առանց միջադիրի, ապա համոզվեք, որ միջադիրն ապահով վայրում է, ինչպես օրինակ՝ տուփը, որի մեջ առաքվել է ձեր սարքը:

### 2.3.4 Բերանային հարմարիչի/խողովակի տեղադրումը/օգտագործումը (Նկար 3)

1. Տեղադրեք բերանային խողովակը (I) բերանային հարմարիչի (J) վրայից:

**Նախազգուշացում.** Մի մտցրեք բերանային խողովակը կանգից ավելի խորը: Համոզվեք, որ խողովակը դուրս չի ցցվում գլխադիրի տարածքից:

2. Տեղադրեք բերանային հարմարիչը ձայնային գլխիկի (A) վրա:

**Նախազգուշացում.** Մի պտտեք այն:

3. Տեղադրեք բերանի խողովակը բերանի մեջ՝ Ձեր բերանի անկյունում:
4. Միացրեք էլեկտրակոկորդը: Խոսեք բերանային խողովակին մոտ:

### 2.3.5 Մարտկոցի լիցքավորումը

#### STP

Երկու 1.5 V նիկելապատ մետաղյա հիդրիդային (NiMH) վերալիցքավորվող AA մարտկոցի սեկցիա:

- Տեղադրեք մարտկոցը (F)՝ հետևելով STP-ի ներսում արված սլաքներին (Նկար 1)

## **TTE/P.**

Օգտագործեք միայն հաստատված լիթիում-իոնային մարտկոցներ: Լրացուցիչ տեղեկությունների համար դիմեք մատակարարներին:

• Տեղադրեք մարտկոցը (F) ինչպես ցույց է տրված (Նկար 1): Այն հնարավոր է տեղադրել միայն մեկ եղանակով: Մարտկոցի միակցիչի (H) հավասարեցնող ելուստը պետք է լինի վեր դիրքով, կարմիր մետաղալարը դեպի աջ: (Նկար 1)

## **2.4 Անսարքությունների լուծման ուղեցույց**

### **2.4.1 Հեռախոսով խոսելու ժամանակ ոչ բավարար հասկանալիություն**

1. Հեռախոսի խոսափողը դրեք վերև՝ քթի մոտ, ոչ թե բերանի տակ: Այդ դեպքում խոսափողը հեռու կլինի ստոմայից (բերանի բացվածքից) և էլեկտրակոկորդի ձայնից:

2. Իջեցրեք էլեկտրակոկորդի ձայնի ուժգնությունը, որպեսզի ձայնի մակարդակը հնարավորինս հանդարտ լինի՝ միաժամանակ տոնայնություն ստեղծելով:

### **2.4.2 Սարքը «փչացել է», «կոտրվել է» կամ «այլևս չի աշխատում»**

1. Համոզվեք, որ ձայնի ուժգնության կարգավորիչը (D) մինչև վերջ իջեցված չէ, որն անջատում է սարքը:

2. Մինչև վերջ իջեցրեք ձայնի ուժգնության կարգավորիչը (D)՝ անջատելու համար:

3. Թեթևակի սեղմեք միացման կոճակը (C) և ավելացրեք սեղմման ճնշումը: Եթե սարքն ընթացքում ակտիվանում և ապասկտիվանում է, ապա սարքը պետք է ուղարկվի փոխարինման: (Տես 2.5.1 Սպասարկում և օգնություն)

4. Եթե LED լույսը վառվում է ամեն անգամ, երբ միացման կոճակը (C) սեղմում եք, ապա սարքի մարտկոցի լիցքը սպառվում է, այն պետք է լիցքավորվի: (TTE/P)

5. Միացրեք սարքին նախապես ստուգված միկրո USB մալուխը, որը սնուցվում է: Եթե սարքը միանում է, և LED լույսը թարթում է, ապա սարքի մարտկոցն անջատված է վարդակից: Բացեք մարտկոցի կափարիչը և սեղմեք մարտկոցի մալուխի միակցիչը (սև պլաստմասան, որտեղով անցնում են սև և կարմիր լարերը) կորպուսի մեջ:

### **2.4.3 Լիցքավորման լույսը (L) չի միանում լիցքավորման ժամանակ**

1. Փորձարկեք էլեկտրական վարդակը որևէ լույսով:

2. Համոզվեք, որ միկրո USB մալուխը ամբողջությամբ մտած է սնուցման աղբյուրի և սարքի մեջ:

3. Փորձեք այլ միկրո USB մալուխ:

4. Փորձեք այլ սնուցման աղբյուր (USB սնուցման վարդակ):

5. Փորձարկեք լիցքավորիչը և մալուխը բջջային հեռախոսի կամ այլ սարքի վրա:

## **STP**

6. Համոզվեք, որ մարտկոցը (կամ մարտկոցները) լիցքավորվող են:

Սարքը չի լիցքավորվի չվերալիցքավորվող մարտկոցներով:

7. Համոզվեք, որ մարտկոցները ճիշտ են տեղադրված: Ստուգեք և համոզվեք, որ մարտկոցների դիրքավորումը ճիշտ է՝ մարտկոցի + բևեռը միանում է սարքի + բևեռին:

**TTE/P.**

8. Միացրեք վարդակին նախապես ստուգված միկրո USB մալուխը, որը միացված է սարքին և սեղմեք միացման կոճակը (C), եթե սարքը միանում է, և LED լույսը թարթում է, ապա սարքի մարտկոցն անջատված է վարդակից: Բացեք մարտկոցի կափարիչը (G) և սեղմեք մարտկոցի միակցիչը (H) կորպուսի մեջ:

**2.4.4 Սարքը «չափազանց շատ բզզոց է հանում», «ծիծաղելի է հնչում», «ձայնը խլեցված է» կամ «անհասկանալի է»**

1. Համոզվեք, որ ձայնային գլխիկը (A) ամբողջությամբ հպվում է մաշկի կամ պարանոցի հետ:
2. Փորձեք տեղադրել պարանոցի այլ հատվածում: (Տես 2.2.7 Էլեկտրակոորդի տեղադրումը վզի վրա)
3. Նվազեցրեք ձայնի ուժգնությունը (D):
4. Կարգաբերեք տոնայնությունը (K):
5. Օգտագործեք բերանային հարմարիչը (տես Բերանային հարմարիչի/խողովակի տեղադրումը/օգտագործումը 2.3.4)
6. Ստուգեք կափարիչը: Եթե ձայնի կոճակը թուլացել է կամ թեթևակի տեղաշարժվել է, կամ պենոնյութից օղակը վնասված է թվում, ապա անհրաժեշտ է նոր պենոնյութից օղակ:
7. Հեռացրեք ձայնային գլխիկը (A) և նայեք ներս:
  - Ձայնային գլխիկի (A) կենտրոնում կա մի փոքրիկ ռետինե կտոր տունձված: Եթե չկա, ուրեմն ձայնային կոճակը պետք է փոխվի: (Տես 2.5.1 Սպասարկում և օգնություն)
  - Համոզվեք, որ դիաֆրագման կցված է պարուրակի ձողին: Համոզվեք, որ պարուրակը ազատ ցատկոտում է, երբ ձեռք եք տալիս, և չի թողնում տպավորություն, որ այն ավազոտ է (Նկար 4)

**TTE/P.**

1. Փորձեք լրացուցիչ շատ սուր ձայնային գլխիկը (2.3.2 Ձայնային գլխիկի փոխարինումը) (Նկար 5)

**2.4.5 «Ձայնային գլխիկը (A) մասերի բաժանվեց» կամ ձայնի կոճակը դուրս է մղվել կափարիչից**

1. Ստուգեք՝ արդյոք պենոնյութից օղակը վնասված չէ:
2. Եթե այն չի վնասվել, ապա օրիգինալ օղակը կարող է կրկին օգտագործվել և նորից հավաքվել:
3. Եթե վնասվել է, այն պետք է փոխել:

**TTE/P.**

Կոճակ-ցուցիչի զգայունությունը կարող է չափազանց զգայուն լինել: Փորձեք այլ Ռ-ԵԺԻՄ, սովորաբար դա լինում է ավելի ցածր ռեժիմ:

**2.4.6 Կոճակը «կաչում է»**

1. Կարդացեք ընդհանուր մաքրման խորհուրդները (2.3.1 Սարքի տեխնիկական սպասարկում)
2. Միացման կոճակի շուրջը մաքրեք 5-6 անգամ քիչ քանակությամբ խորհուրդ տրվող սպիրտով (2.3.1 Սարքի տեխնիկական սպասարկում) թրջած բամբակյա ձողիկով կամ բամբակյա վիրապատրույգով, ապա 5-6 անգամ սեղմեք միացման կոճակը:
3. Հերթականությամբ սեղմելով միացման կոճակը և մաքրելով կոճակի շուրջը բամբակյա ձողիկով կամ վիրապատրույգով: Շարունակեք մինչև այլևս չկաչի:
4. Հաստ թղթի կտորի օգնությամբ հեռացրեք միացման կոճակի նեղքում խրված բեկորները:



### 2.4.7 Անկայուն տոնայնություն (TTE/P)

Փորձեր ավելի ցածր զգայունությամբ ռեժիմ: (Տես 2.2.3 Ռեժիմի կարգավորում)

### 2.4.8 Անկայուն ձայնի ուժգնություն (TTE/P)

Փորձեր ռեժիմ, որը չի հանդիսանում ձայնի ռեժիմ: (Տես 2.2.3 Ռեժիմի կարգավորում)

### 2.4.9 Սարքը միջամտում է ռադիոալիքների կամ հեռուստացույցի ալիքների ընդունմանը

1. Փոխել ընդունիչ պլեհավաքի դիրքը կամ կողմնորոշումը:
2. Մեծացնել սարքի և ընդունիչի միջև տարածությունը:
3. Միացնել սարքը էլեկտրական վարդակին, որի հոսանքի գծին միացված չէ ընդունիչը:
4. Խորհրդակցել մատակարարի կամ փորձառու ռադիո/հեռուստամասնագետի հետ օգնության համար:

## 2.5 Սպասարկումը

### 2.5.1 Սպասարկում և օգնություն

Էլեկտրակոնկորդը չի պարունակում որևէ սպասարկվող մաս, բացի հիվանդի կողմից հանվող մասերից: Սպասարկվող մասերի մեջ են մտնում մարտկոցները, ձայնային գլխիկը, ձայնային գլխիկի միջադիրը, պենոնյութից օղակը, բերանային հարմարիչը և բերանային խողովակները: Էլեկտրակոնկորդի օգտագործման կամ տեխնիկական սպասարկման հետ կապված հարցերով և հասանելի մասեր պատվիրելու համար դիմեք Ձեր տարածքային ներկայացուցչին:

## 2.6 Թափոնացում

Միշտ հետևեք բժշկական խորհուրդներին և կենսաբանական վտանգներին վերաբերող ազգային օրենսդրական պահանջներին օգտագործված բժշկական սարքերի թափոնացման ժամանակ:

## 2.7 Խնդիրների մասին հայտնումը

Խնդրում ենք նկատի ունենալ, որ սարքի հետ կապված ցանկացած լուրջ պատահարի մասին պետք է հայտնել արտադրողին և այն երկրի պետական մարմիններին, որտեղ բնակվում է օգտագործողը և/կամ հիվանդը:

# 3. Տեխնիկական բնութագրեր

Նկարագրություն	Բնութագիր
Գործարկման ջերմաստիճանը (մարտկոցի աշխատանքի օպտիմալ տևողության համար)	+5 °C-ից +25 °C +41 °F-ից +77 °F
Պահպանման և փոխադրման ջերմաստիճանը (մարտկոցի աշխատանքի օպտիմալ տևողության համար)	-20 °C-ից +25 °C -4 °F-ից +77 °F
Գործարկման խոնավությունը (մարտկոցի աշխատանքի օպտիմալ տևողության համար)	15%-ից 93% հարաբերական խոնավություն, 700 հՊա-ից 1060 հՊա
Պահպանման խոնավությունը	0%-ից 45% հարաբերական խոնավություն,

Նկարագրություն	Բնութագիր
Շահագործման ակնկալվող ժամկետը	1-5 տարի
Ապարատի աշխատող մասը	BF տեսակի աշխատանքային մաս (ողջ սարքը)
Շահագործման ռեժիմը	24 ժամկա ընթացքում 30 րոպե շահագործում
Հոսանքի աղբյուրը	Հոսանքի ներքին աղբյուր
Չափերը	Provox SolaTone Plus 118 մմ (4,6 դյույմ), Provox TruTone Emote 113 մմ (4,5 դյույմ), Provox TruTone Plus 113 մմ (4,5 դյույմ):
Քաշ	Provox SolaTone Plus 130 գ (0,29 ֆունտ), Provox TruTone Emote 130 գ (0,29 ֆունտ), Provox TruTone Plus 131 գ (0,29 ֆունտ)
Լիցքավորման բնութագիր	5 Վ, նվազագույնը 750 մԱ (կամ նվազագույնը 0,75 Ա)

## 4. Համապատասխանությունը ստանդարտներին

Սարքը փորձարկված է և համապատասխանում է IEC 60601-1-2 ստանդարտին՝ կենցաղային միջավայրի համար ընդունված թեստավորման մակարդակով:

## 1. Описание

### 1.1 Назначение

Электрогортань представляет собой искусственную гортань внешнего применения с питанием от аккумуляторной батареи. Она предназначена для формирования звука при отсутствии возможности пользоваться гортанью. Если удерживать электрогортань у кожи в области гортани или вставить трубку в ротовую полость (с помощью ротового переходника), устройство создает механические вибрации, которые резонируют в ротовой и носовой полости и могут нормально модулироваться языком и губами, обеспечивая речеобразование.

### 1.2 Противопоказания

Данное устройство следует использовать только в соответствии с инструкцией по применению. Пользователи с ограниченными физическими, когнитивными или умственными способностями, необходимыми для самостоятельной работы с устройством, не должны использовать устройство самостоятельно, они должны использовать его только в том случае, если они находятся под надлежащим наблюдением врача или квалифицированной сиделки. Устройство не следует применять в области шеи с чувствительной тканью и слабыми кровеносными сосудами. Это может привести к повреждению тканей или кровотечению. Пациентам с таким состоянием здоровья разрешено пользоваться устройством только при условии специального инструктирования врачом относительно того, как использовать устройство и где его безопасно применять.

### 1.3 Описание устройства

Электрогортань представляет собой искусственную гортань, накладываемую на неповрежденную кожу, с питанием от аккумуляторной батареи. Она предназначена для использования при отсутствии гортани или невозможности пользоваться ею для формирования звука.

### 1.4 Предупреждения

- Несоблюдение инструкций по технике безопасности может привести к травмам или повреждению устройства. Перед использованием устройства прочтите все приведенные ниже сведения о безопасности.
- Неправильное использование устройства или несоблюдение указаний в данной инструкции по применению может привести к травмам и/или повреждению устройства.
- Устройство не должно использоваться несколькими людьми: это может привести к перекрестному заражению. Устройство предназначено исключительно для индивидуального применения.
- Не включайте, не используйте и не заряжайте устройство, если оно подвергалось воздействию воды или падало в воду или другие жидкости, так как это может привести к травмам и/или повреждению устройства.
- Перед зарядкой проверьте зарядное устройство на наличие повреждений. Поврежденное или неработающее зарядное устройство использовать запрещается, так как это может привести к возгоранию, травмам или повреждению устройства.
- Используйте только одобренные зарядные устройства, так как использование неодобренных зарядных устройств может привести к возгоранию, травмам или повреждению устройства.

- Не пытайтесь заряжать непerezаряжаемые батареи, так как это может привести к травмам или повреждению устройства.
- Не заменяйте перезаряжаемые батареи на непerezаряжаемые, так как это может привести к травмам или повреждению устройства.
- Не повреждайте батареи механически, так как это может привести к травмам или повреждению устройства.
- Не храните батареи в кармане, кошельке, коробке, ящике или др., где может произойти их короткое замыкание или замыкание с электропроводными материалами, например с монетами или ключами, поскольку это может привести к травмам или повреждению устройства.
- Не пользуйтесь батареей, если она протекает, так как это может привести к травмам или повреждению устройства.
- Не подвергайте литиевую батарею воздействию температур, выходящих за пределы температурных диапазонов, указанных на этикетке, так как это может привести к травмам или повреждению устройства.
- При замене батарей соблюдайте осторожность. Неправильная установка батарей может привести к возникновению опасной ситуации, такой как сильный нагрев или пожар, поскольку это может привести к травмам или повреждению устройства или другого имущества.
- Устройство содержит магнит, который образует магнитные и электромагнитные поля, способные создавать помехи для кардиостимулятора и прочих имплантируемых устройств, а также определенных процедур и способов лечения. Соблюдайте минимальное расстояние 6 дюймов / 15 см между данным устройством и любыми устройствами, имплантируемыми в медицинских целях. Перед выполнением любых процедур или способов лечения проконсультируйтесь с врачом. Если есть подозрения на наличие помех между данным устройством и устройством, имплантированным в медицинских целях, прекратите использование и проконсультируйтесь с врачом.
- Не вставляйте никакие части устройства или принадлежности в стому, так как это может привести к травме.
- Не вносите изменения в устройство, так как это может привести к травмам или повреждению устройства.
- Устройство содержит мелкие детали, которые могут сместиться и вследствие этого представлять опасность удушья. Храните в недоступном для детей месте.

## 1.5 Меры предосторожности

- Будьте осторожны, чтобы не повредить проводку батареи при открытии/закрытии крышки батареи.
- Несоблюдение инструкций по техническому обслуживанию может привести к травмам и/или повреждению устройства.
- Никогда не используйте сломанное, модифицированное или измененное устройство; не заряжайте сломанное, модифицированное или измененное устройство, так как это может привести к травмам и/или повреждению устройства.
- Во время зарядки устройство и батарея могут нагреваться (до 45°C / 113°F). Перед использованием дайте устройству остыть.
- Во время использования устройство может нагреваться. Соблюдайте необходимые меры предосторожности при размещении на шее для использования.
- При длительном применении вибрация может вызвать дискомфорт у некоторых чувствительных пользователей.
- Устройство может выйти из строя или перестать работать из-за помех электромагнитного поля от других устройств.
- Не грызите, не кусайте ротовую трубку, так как это может привести к повреждению зубов.

- Не роняйте устройство, так как это может привести к его повреждению.
- Устройство может вызвать ощущение напряжения и усталости в плече/руке у людей, страдающих дисфункцией плечевого сустава.

## 2. Инструкции по применению

**Определения:** **ТТЕ** = *Provox TruTone Emote*, **ТТР** = *Provox TruTone Plus*, **ТТЕ/Р** = *оба изделия Provox TruTone*, **СТР** = *Provox SolaTone Plus*

### 2.1 Состав комплектации

#### Содержимое коробки

- Электрогортань
- IFU — Инструкции по применению
- Ротовой переходник
- Набор ротовых трубок
- Кабель Micro USB
- Звуковая головка для особо резкого звука (ТТЕ/Р)
- Перезаряжаемые батареи 2 AA NiMH (СТР)
- Строчка

#### Спецификация деталей (рисунок 1)

- A. Звуковая головка (2 шт. ТТЕ/Р) (1 шт. СТР) (включая звуковую кнопку и поролоновое кольцо)
- B. Прокладка звуковой головки (ТТЕ/Р)
- C. Кнопка включения (кнопка Emotion™ в моделях ТТЕ/Р)
- D. Регулятор громкости
- E. Корпус
- F. Батарея
- G. Крышка батареи
- H. Разъем батареи (ТТЕ/Р)
- I. Ротовая трубка (2 + 2)
- J. Ротовой переходник
- K. Регулятор тона (высоты тона)
- L. Светодиодный индикатор
- M. Кнопка РЕЖИМ (ТТЕ/Р)
- U. Пылезащитная крышка разъема USB (ТТЕ/Р)
- V. Разъем для зарядки USB

### 2.2 Инструкция по применению

#### 2.2.1 Уровень громкости и включение

- При повороте регулятора громкости (D) до упора вниз звук отключается.
- Включите устройство и отрегулируйте громкость, поворачивая регулятор громкости вверх (D).

#### 2.2.2 Регулировка тона

- Отрегулируйте тон, поворачивая регулятор тона (K).
- Удерживайте кнопку включения (C) нажатой во время выполнения первоначальной настройки, чтобы услышать разницу.
- При повороте регулятора тона (K) без удержания кнопки включения (C) тон также будет меняться, но разницу невозможно будет услышать.

#### 2.2.3 Установка режима (ТТЕ/Р)

Чтобы изменить режим, сначала снимите крышку батареи, затем одновременно нажмите кнопку режима (M) и кнопку включения (C). Режим меняется немедленно, однако, если удерживать кнопку включения, раздастся звуковой сигнал, обозначающий выбор новой настройки режима. Число и тон звуковых сигналов указывают выбранный режим.

Модель Provox TruTone Emote (ТТЕ) имеет шесть режимов (1–6), а модель Provox TruTone Plus (ТТР) — два режима (1–2).

**Режимы 1–4:** четыре заданных диапазона.

Режим 1 — практиче­ский монотонный режим	1 звуковой сигнал
Режим 2 — низкие тональ­ные изменения, диапазон 1/2 октавы	2 звуковых сигнала
Режим 3 — средние тональ­ные изменения	3 звуковых сигнала
Режим 4 — высокие тональ­ные изменения, 2-октавный диапазон	4 звуковых сигнала

**Режимы 5–6 (ТТЕ):** режим громкости позволяет с помощью кнопки включения (С) управлять уровнем громкости вместо тона (К). Он предназначен для людей, которые не используют управление тоном. Можно управлять уровнем громкости, не перемещая регулятор. Очень легкое касание позволяет говорить «шепотом», при сильном нажатии звук будет раздаваться на полной громкости. Регулятор громкости ограничивает максимальный уровень громкости. При включении этих режимов раздается звук «восклицания» с повышением тона вместо сигнала с равномерным тоном.

Режим 5 — низкая чувствительность — для включения полной громкости необходимо нажать сильнее. 2 «восклицания»

Режим 6 — высокая чувствительность — для включения полной громкости можно нажать слабее. 3 «восклицания»

## 2.2.4 Выбор звуковой головки

Если у вас плотные ткани шеи или вы находитесь в шумной обстановке. Можно использовать серую звуковую головку, которая обеспечит более резкое звучание. (См. раздел 2.3.2 «Замена звуковой головки»)

## 2.2.5 Использование прокладки звуковой головки

(В) — (ТТЕ/Р)

Если вы регулярно используете более высокий тон и предпочитаете тембр без прокладки звуковой головки, ее можно удалить. (См. раздел 2.3.3 «Вставка/снятие прокладки звуковой головки»)

## 2.2.6 Зарядка батареи

- Вытяните пылезащитную крышку USB (U) с верхнего конца. (ТТЕ/Р)
- Вставьте micro-USB в разъем для зарядки USB (V) с вилкой, одобренной для зарядки от настенной розетки.
- Убедитесь, что светодиодный индикатор (L) горит.
- По завершении зарядки отключите устройство для экономии электроэнергии. Используйте, пока громкость не станет снижаться, это значит, что батарея разряжена на 80%.

### Светодиодный индикатор (L)

- Низкий заряд батареи (ТТЕ/Р): индикатор включается при нажатии кнопки включения, сигнализируя о приближении времени зарядки.
- Зарядка: индикатор горит постоянно.
- Полная зарядка: индикатор мигает.

## 2.2.7 Размещение электрогортани на шее

- Расположите звуковую головку (А) на шее и нажмите кнопку включения (С). Не вставляйте никакие части устройства и принадлежности в стому.
- Начните говорить в обычной манере. Не напрягайте голосовые связки.
- Убедитесь, что между звуковой головкой и шеей имеется герметичное уплотнение.
- Попробуйте разные положения для достижения оптимального звучания. Обратите внимание, что изменение положения даже на 3 мм / 1/8 дюйма может иметь существенное влияние на уровень громкости звука.

- Если вы не можете добиться передачи звука через шею или по медицинским показаниям не можете разместить устройство на шее, попробуйте разместить его на щеке или используйте ротовой переходник (см. информацию по установке/использованию дополнительного ротового переходника/трубки, раздел 2.3.4)
- Повышение или понижение базового тона может сделать речь более разборчивой.
- Большинство людей лучше слышит средний тон голоса.

## 2.2.8 Дополнительный ротовой переходник и ротовые трубки

Если размещение на шее не подходит вам из-за болезненных ощущений или гудение раздражает, можно пользоваться ротовым переходником. (Установка/использование ротового переходника/трубки, раздел 2.3.4)

## 2.2.9 Инструкции по демонстрационному применению

### **Предупреждение!**

Ротовой переходник, ротовая трубка и звуковая головка предназначены исключительно для индивидуального применения, их нельзя использовать для разных пациентов.

### **Меры предосторожности.**

Проводите техобслуживание устройства после каждого пациента и демонстрационного применения в соответствии с инструкциями по обслуживанию.

- Демонстрационное применение предназначено для определения пригодности устройства для пациента.
- Пользователям следует мыть руки и дезинфицировать их изопропиловым спиртом (IPA) или другим подходящим дезинфицирующим средством или же надевать перчатки.
- Звуковую головку (А) (включая звуковую кнопку и поролоновое кольцо) необходимо заменять и выбрасывать после каждого пациента (2.3.2 «Замена звуковой головки»).
- Устройство необходимо протирать до и после каждого пациента согласно разделу 2.3.1 «Техническое обслуживание устройства».

## 2.3 Техническое обслуживание и замена деталей

### 2.3.1 Техническое обслуживание устройства

- Ответственность за техническое обслуживание лежит на пользователе. Техническое обслуживание следует проводить после каждого использования.
- Протирайте устройство чистой сухой тканью или, при необходимости, слегка влажной тканью (не мокрой насквозь). Используйте воду с мягким мыльным раствором или изопропиловый спирт 50–75%.
- Следите, чтобы влага не попадала внутрь устройства.
- Не используйте электрические или аэрозольные очистители.

### 2.3.2 Замена звуковой головки (рисунок 5)

Для замены звуковых головок обратитесь к местному представителю.

1. Протрите устройство согласно разделу 2.3.1. Техническое обслуживание. Не прилагайте излишнее давление, а при протирке кнопки включения применяйте круговые или волнообразные движения. После протирки корпуса протрите насадку звуковой головки без излишнего давления, иначе может сместиться верхняя звуковая кнопка.
2. Снимите звуковую головку, отвернув ее.

3. Убедитесь, что прокладка звуковой головки (В) по-прежнему на месте. Замените ее, если она сломана или отсутствует, перед установкой новой звуковой головки (А) (ТТЕ/Р) (см. раздел 2.3.3 «Вставка/снятие прокладки звуковой головки»).

4. Установите новую звуковую головку (А).

**Меры предосторожности.** Не снимайте силиконовую мембрану под звуковой головкой. Силиконовая мембрана должна остаться в пазе на стержне звуковой катушки. (Рисунок 3)

**Меры предосторожности.** Не перекручивайте звуковую катушку. Провода должны быть равномерно намотаны на звуковую катушку. (Рисунок 3)

### 2.3.3 «Вставка/снятие прокладки звуковой головки (Рисунок 2)

1. Отверните звуковую головку.

2. Вставьте/снимите прокладку.

3. Наверните звуковую головку на место.

4. Протестируйте устройство, обращая внимание на тембр голоса. Если вам больше нравится тембр без прокладки, уберите ее в безопасное место, например, в упаковочную коробку устройства.

### 2.3.4 Установка/использование ротового переходника/трубки (рисунок 3)

1. Вставьте ротовую трубку (I) в верхнюю часть ротового переходника (J).

**Меры предосторожности.** Не вставляйте ротовую трубку дальше ограничителя. Убедитесь, что трубка не выступает в область насадки.

2. Расположите ротовой переходник на звуковой головке (А).

**Меры предосторожности.** Не закручивайте его.

3. Вставьте ротовую трубку в угол рта.

4. Включите электрогортань. Начните говорить, разместив ротовую трубку, чтобы она не мешала органам речи.

### 2.3.5 Замена батареи

#### STP

Две перезаряжаемые никель-металлгидридные батареи (NiMH) 1,5 В АА.

• Установите батарею (F) по стрелкам внутри STP (рисунок 1)

#### ТТЕ/Р:

Используйте только одобренные литиево-ионные батареи. Для получения дополнительной информации обратитесь к дистрибьюторам.

• Установите батарею (F), как показано на рисунке 1; ее можно установить только одним способом. Установочный выступ разъема батареи (H) направлен вверх, красный провод расположен справа.

(Рисунок 1)

## 2.4 Руководство по устранению неисправностей

### 2.4.1 Недостаточная разборчивость при разговоре по телефону

1. Расположите микрофон телефона возле носа, а не под ртом. Это нужно, чтобы отодвинуть микрофон от звука стомы и электрогортани.

2. Уменьшите громкость электрогортани, чтобы уровень громкости был как можно тише, но при этом генерировал тональный сигнал.



## 2.4.2 Устройство «разрядилось», «сломалось» или «просто перестало работать»

1. Убедитесь, что регулятор громкости (D) не повернут до конца вниз: в противном случае устройство отключается.
2. Поверните регулятор громкости (D) до упора вниз в положение выключения.
3. Слегка нажмите кнопку включения (C) и увеличьте давление. Если в процессе работы устройство активируется и деактивируется, его необходимо отправить на замену. (См. раздел 2.5.1 «Обслуживание и помощь»)
4. Если светодиод включается каждый раз при нажатии кнопки включения (C), это значит, что в устройстве разряжена батарея и ее необходимо зарядить. (ТТЕ/Р)
5. Подключите к устройству заведомо исправный кабель micro USB, по которому подается питание. Если устройство включается, а светодиод мигает, значит, батарея устройства отключена. Снимите крышку батареи и вдавите разъем кабеля батареи (черный пластмассовый, в который входят черный и красный провода) глубже в корпус.

## 2.4.3 Индикатор зарядки (L) не включается во время зарядки

1. Проверьте розетку с помощью лампы.
2. Убедитесь, что кабель micro USB полностью вставлен в источник питания и устройство.
3. Попробуйте использовать другой кабель micro USB.
4. Попробуйте использовать другой источник питания (розетку USB).
5. Проверьте зарядное устройство и кабель на мобильном телефоне или другом устройстве.

### **STP**

6. Убедитесь, что батарея (или батареи) перезаряжаемая(-ые). Устройство не заряжает перезаряжаемые батареи.
7. Убедитесь, что батареи вставлены правильно. Проверьте, правильно ли расположены батареи: «+» на батарее должен быть направлен к «+» на устройстве.

### **ТТЕ/Р:**

8. Подключите заведомо исправный кабель micro USB, по которому подается питание, к устройству и активируйте кнопку включения (C) — если устройство включится и светодиодный индикатор замигает, значит, батарея устройства отключена. Снимите крышку батареи (G) и вдавите разъем батареи (H) глубже в корпус.

## 2.4.4 Устройство «слишком сильно гудит», «звучит смешно», «звучит приглушенно» или «издает нечеткие звуки»

1. Убедитесь, что звуковая головка (A) полностью соприкасается с кожей на шее.
2. Попробуйте расположить устройство в другое место на шее. (См. раздел 2.2.7 «Размещение электрогитары на шее»)
3. Уменьшите громкость (D).
4. Отрегулируйте тон (K).
5. Используйте ротовой переходник (см. «Установка/использование ротового переходника и ротовой трубки», раздел 2.3.4)
6. Осмотрите крышку. Если звуковая кнопка кажется расшатанной или слегка сдвинутой или поролоновое кольцо кажется поврежденным, возможно, требуется поставить новое поролоновое кольцо на устройство.
7. Снимите звуковую головку (A) и загляните внутрь.
  - Есть ли в центре звуковой головки (A) небольшая приклеенная резиновая деталь? Если нет, то звуковую кнопку на устройстве необходимо заменить. (См. раздел 2.5.1 «Обслуживание и помощь»)

- Убедитесь, что мембрана прикреплена к стойке катушки. Убедитесь, что катушка свободно отскакивает при прикосновении и не является шероховатой (рисунок 4)

#### **ТТЕ/Р:**

1. Попробуйте использовать дополнительную звуковую головку для особо резкого звука (2.3.2 «Замена звуковой головки») (рисунок 5)

#### **2.4.5 «Звуковая головка (А) разошлась» или звуковая кнопка была вытолкнута из насадки**

1. Проверьте, не повреждено ли поролоновое кольцо.
2. Если оно не было повреждено, можно повторно использовать оригинальное поролоновое кольцо и поставить его обратно.
3. Если оно повреждено, его необходимо заменить.

#### **ТТЕ/Р:**

Возможно, чувствительность датчика кнопки слишком высокая. Попробуйте другой РЕЖИМ, как правило, менее интенсивный.

#### **2.4.6 Кнопка «заедает»**

1. Прочтите рекомендации по общей очистке (2.3.1 «Техническое обслуживание устройства»).
2. С помощью ватной палочки или ватного тампона с небольшим количеством рекомендуемого спирта (2.3.1 «Техническое обслуживание устройства») очистите место вокруг кнопки включения 5–6 раз, затем нажмите кнопку включения 5–6 раз.
3. Поочередно нажимайте кнопку включения и очищайте место вокруг нее ватной палочкой или ватным тампоном. Продолжайте, пока не исчезнет липкость.
4. Плотным листом бумаги удалите мусор, застрявший в щели кнопки включения.

#### **2.4.7 Неравномерный тон (ТТЕ/Р)**

Попробуйте менее чувствительный режим. (См. раздел 2.2.3 «Настройка режима»)

#### **2.4.8 Неравномерная громкость (ТТЕ/Р)**

Попробуйте другой режим, а не режим громкости. (См. раздел 2.2.3 «Настройка режима»)

#### **2.4.9 Устройство создает помехи для радио- или телевизионного приема**

1. Измените положение или ориентацию приемной антенны.
2. Увеличьте расстояние между устройством и приемником.
3. Подключите оборудование к электрической розетке, в цепь которой не включен приемник.
4. За помощью обратитесь к квалифицированному специалисту в области радио- и ТВ-оборудования.

### **2.5 Обслуживание**

#### **2.5.1 Обслуживание и помощь**

Электрогортань не содержит обслуживаемых деталей, кроме тех, которые снимаются пациентом. Обслуживаемые детали включают батареи, звуковую головку, прокладку звуковой головки, поролоновое кольцо, ротовой адаптер и ротовые трубки. Для получения поддержки по эксплуатации и техническому обслуживанию электрогортани и заказа запасных частей обратитесь к местному представителю.

## 2.6 Утилизация

Всегда следуйте медицинской практике и национальным требованиям в отношении биологически опасных веществ при утилизации использованных медицинских устройств.

## 2.7 Направление уведомлений

Обратите внимание, что о любых серьезных происшествиях с этим устройством необходимо сообщать производителю и в орган государственной власти той страны, в которой проживает пользователь и/или пациент.

## 3. Технические спецификации

Описание	Техническая характеристика
Рабочая температура (для поддержания оптимального срока службы батареи)	от +5°C до +25°C от +41°F до +77°F
Температура во время хранения и транспортировки (для поддержания оптимального срока службы батареи)	от -20°C до +25°C от -4°F до +77°F
Рабочая влажность (для поддержания оптимального срока службы батареи)	от 15% до 93% относительной влажности, от 700 гПа до 1060 гПа
Влажность при хранении	от 0% до 45% относительной влажности
Ожидаемый срок службы	1–5 лет
Рабочая часть	Рабочая часть типа BF (все устройство)
Режим работы	30 минут работы за период 24 часа
Источник питания	Внутренний источник питания
Размеры	Provox SolaTone Plus 118 мм (4,6 дюйма); Provox TruTone Emote 113 мм (4,5 дюйма); Provox TruTone Plus 113 мм (4,5 дюйма)
Вес	Provox SolaTone Plus 130 г (0,29 фунта); Provox TruTone Emote 130 г (0,29 фунта); Provox TruTone Plus 131 г (0,29 фунта)
Технические характеристики устройства зарядки	5 В, минимум 750 мА (или минимум 0,75 А)

## 4. Соответствие стандартам

Устройство протестировано и соответствует стандарту IEC 60601-1-2 с уровнем испытаний, принятым для бытовых условий.

## 1. Maklumat Deskriptif

### 1.1 Tujuan penggunaan

Elektrolarinks ialah larinks tiruan berkuasa bateri yang digunakan secara luaran dan bertujuan untuk digunakan apabila tiada kebolehan untuk menggunakan larinks untuk menghasilkan bunyi. Apabila diletakkan pada kulit di kawasan kotak suara atau dengan memasukkan tiub ke dalam rongga mulut (dengan penyesuaian mulut), peranti ini menghasilkan getaran mekanikal yang bergema di dalam rongga mulut dan hidung dan boleh ditinggirkan oleh lidah dan bibir secara normal, dengan itu membolehkan pengeluaran pertuturan.

### 1.2 Kontraindikasi

Peranti ini hanya boleh digunakan mengikut Arahan Penggunaan. Pengguna-pengguna tanpa kemampuan fizikal, kognitif, atau mental yang diperlukan untuk mengoperasikan peranti ini sendiri tidak boleh menggunakan peranti ini seorang dan hanya boleh menggunakannya jika mereka berada di bawah pengawasan doktor atau penjaga yang terlatih. Peranti ini tidak boleh digunakan secara langsung di atas tisu leher yang lemah dengan saluran darah yang lemah. Perkara ini boleh menyebabkan kerosakan tisu atau pendarahan. Pesakit yang mengalami keadaan ini hanya boleh menggunakan peranti ini apabila mereka telah diarahkan secara khusus oleh doktor mereka tentang cara menggunakan peranti dan tempat untuk menggunakan peranti dengan selamat.

### 1.3 Perihal peranti

Elektrolarinks ialah larinks tiruan berkuasa bateri yang digunakan secara luaran pada kulit yang tidak rosak dan bertujuan untuk digunakan apabila ketiadaan larinks atau ketidakbolehan untuk menggunakan larinks untuk menghasilkan bunyi.

### 1.4 Amaran

- Kegagalan untuk mengikut arahan keselamatan boleh menyebabkan kecederaan peribadi atau kerosakan peranti. Baca semua maklumat keselamatan di bawah sebelum menggunakan peranti.
- Penyalahgunaan peranti atau tidak mengikut arahan dalam IFU ini boleh menyebabkan kecederaan peribadi dan/atau kerosakan peranti.
- Jangan gunakan peranti bersama orang lain kerana perkara ini boleh menyebabkan pencemaran silang. Peranti ini bertujuan untuk kegunaan seorang pesakit sahaja.
- Jangan hidupkan, atau gunakan, atau cas peranti jika peranti telah terdedah atau terjatuh dalam air atau cecair lain kerana perkara ini boleh menyebabkan kecederaan peribadi dan/atau kerosakan peranti.
- Sebelum mengecas, periksa kerosakan pada pengecas. Pengecas yang rosak atau tidak berfungsi tidak harus lagi digunakan kerana perkara ini boleh menyebabkan kebakaran, kecederaan peribadi atau kerosakan peranti.
- Hanya gunakan pengecas yang diluluskan kerana penggunaan pengecas yang tidak diluluskan boleh menyebabkan kebakaran, kecederaan peribadi atau kerosakan peranti.
- Jangan cuba mengecas bateri yang tidak dapat dicas semula kerana perkara ini boleh menyebabkan kecederaan peribadi atau kerosakan peranti.
- Jangan gantikan bateri cas semula dengan bateri yang tidak dapat dicas semula kerana perkara ini boleh menyebabkan kecederaan peribadi atau kerosakan peranti.
- Jangan rosakkan bateri secara fizikal kerana perkara ini boleh menyebabkan kecederaan peribadi atau kerosakan peranti.

- Jangan simpan bateri di dalam poket, dompet, kotak atau laci dll. yang bateri boleh menyebabkan litar pintas antara satu sama lain atau berlaku litar pintas akibat bahan konduksian seperti syiling atau kunci kerana perkara ini boleh menyebabkan kecederaan peribadi atau kerosakan peranti.
- Jangan gunakan bateri yang bocor kerana perkara ini boleh menyebabkan kecederaan peribadi atau kerosakan peranti.
- Jangan dedahkan bateri litium pada suhu di luar julat suhu yang dinyatakan pada label kerana perkara ini boleh menyebabkan kecederaan peribadi atau kerosakan peranti.
- Berhati-hati apabila menggantikan bateri. Pemasangan bateri yang salah boleh menyebabkan keadaan yang berbahaya, seperti kepanasan melampau atau kebakaran, kerana perkara ini boleh menyebabkan kecederaan peribadi atau kerosakan peranti atau harta lain.
- Peranti mengandungi magnet yang menghasilkan medan magnet dan elektromagnet yang boleh mengganggu alat perentak jantung atau peranti boleh implan lain serta prosedur atau rawatan tertentu. Kekalkan jarak minimum 6"/15 cm di antara peranti dengan mana-mana peranti yang diimplan secara perubatan. Rujuk doktor anda sebelum mana-mana prosedur atau rawatan perubatan. Sekiranya gangguan antara peranti dengan mana-mana peranti yang diimplan secara perubatan disyaki, hentikan penggunaan dan rujuk doktor anda.
- Jangan masukkan mana-mana bahagian peranti atau aksesori ke dalam stoma kerana perkara ini boleh menyebabkan kecederaan peribadi.
- Jangan ubah suai peranti kerana perkara ini boleh menyebabkan kecederaan peribadi atau kerosakan peranti.
- Peranti mengandungi bahagian kecil yang boleh tertanggal dan menyebabkan bahaya tercekik. Jauhkan daripada kanak-kanak kecil.

## 1.5 Langkah berjaga-jaga

- Berhati-hati supaya tidak merosakkan pendawaian bateri semasa membuka/ menutup penutup bateri.
- Kegagalan untuk mengikut arahan penyelenggaraan boleh menyebabkan kecederaan peribadi dan/atau kerosakan peranti.
- Jangan sekali-kali menggunakan peranti yang rosak, diubah suai atau diubah; atau mengecas peranti yang rosak, diubah suai atau diubah, kerana perkara ini boleh menyebabkan kecederaan peribadi dan/atau kerosakan peranti.
- Peranti dan bateri boleh menjadi panas (sehingga 45°C/113°F) semasa mengecas. Biarkan peranti menjadi sejuk sebelum digunakan.
- Peranti boleh menjadi panas semasa digunakan. Ambil langkah berjaga-jaga yang diperlukan semasa meletakkan peranti pada leher untuk digunakan.
- Dengan penggunaan yang banyak, getaran boleh menyebabkan ketidakselesaan untuk sesetengah pengguna sensitif.
- Peranti boleh pincang tugas atau berhenti berfungsi disebabkan oleh gangguan medan elektromagnet daripada peranti lain.
- Berhati-hati supaya tidak mengunyah/menggigit tiub oral kerana perkara ini boleh menyebabkan kerosakan gigi.
- Berhati-hati supaya tidak menjatuhkan peranti kerana perkara ini boleh menyebabkan kerosakan peranti.
- Peranti boleh menyebabkan rasa penggunaan daya dan keletihan pada bahu/ lengan untuk individu yang mengalami disfungsi bahu.

## 2. Arahan penggunaan

**Definisi:** **TTE** = *Provox TruTone Emote*, **TTP** = *Provox TruTone Plus*, **TTE/P** = *kedua-dua produk Provox TruTone*, **STP** = *Provox SolaTone Plus*

## 2.1 Kandungan

### Kandungan kotak

- Elektrolarinks
- IFU - Arahan penggunaan
- Penyesuai mulut
- Pek pelbagai tiub oral
- Kabel USB mikro
- Bunyi utama yang sangat tajam (TTE/P)
- 2 bateri cas semula AA NiMH (STP)
- Lanyard

### Spesifikasi bahagian (Ilustrasi 1)

- A. Bunyi utama (x2 TTE/P) (x1 STP) (termasuk butang suara dan gelang buih)
- B. Penjarak bunyi utama (TTE/P)
- C. Butang kuasa (butang Emotion™ pada TTE/P)
- D. Tombol kelantangan
- E. Badan
- F. Bateri
- G. Penutup bateri
- H. Penyambung bateri (TTE/P)
- I. Tiub oral (2 + 2)
- J. Penyesuai mulut
- K. Tombol pelarasan nada
- L. Lampu penunjuk LED
- M. Butang MOD (TTE/P)
- U. Penutup debu USB (TTE/P)
- V. Bicu pengecas USB

## 2.2 Arahan pengendalian

### 2.2.1 Tahap kelantangan dan kuasa

- Tombol kelantangan (D) ke bawah sepenuhnya mematikan peranti.
- Hidupkan peranti dan larskan kelantangan dengan memutar tombol kelantangan (D) ke atas.

### 2.2.2 Melaraskan nada

- Laraskan nada dengan memutar tombol pelarasan nada (K).
- Terus menekan butang kuasa (C) semasa membuat pelarasan awal anda untuk mendengar perbezaan.
- Menggunakan tombol nada (K) tanpa menahan butang kuasa (C) masih menukar nada tanpa keupayaan untuk mendengar nada.

### 2.2.3 Menetapkan mod (TTE/P)

Untuk menukar mod, mula-mula alihkan penutup bateri, kemudian tekan butang mod (M) dan butang kuasa (C). Mod berubah dengan segera, tetapi jika anda terus menekan butang kuasa, peranti akan berbunyi bip untuk menunjukkan tetapan mod baharu. Jumlah bunyi bip dan nada bunyi bip menunjukkan modnya berada.

Provox TruTone Emote (TTE) mempunyai enam mod 1-6 dan Provox TruTone Plus (TTP) mempunyai dua mod 1-2.

#### Mode 1-4: Empat julat pratetap.

Mod 1 – Hampir monoton	1 Bunyi bip
Mod 2 – Variasi nada rendah—1/2-julat oktaf	2 Bunyi bip
Mod 3 – Variasi nada sederhana	3 Bunyi bip
Mod 4 – Variasi nada tinggi—2-julat oktaf	4 Bunyi bip

**Mod 5-6 (TTE):** Mod kelantangan membolehkan anda mengawal kelantangan dengan butang kuasa (C) dan bukannya tombol nada (K). Ini adalah untuk orang yang tidak menggunakan kawalan nada dan membolehkan kawalan kelantangan tanpa menggerakkan tombol. Sentuhan yang sangat ringan membolehkan anda bercakap dengan “suara bisikan“ anda, manakala menekan dengan kuat mengeluarkan suara pada kelantangan penuh. Tombol kawalan kelantangan masih menghadkan kelantangan maksimum anda. Menukar kepada mod ini menghasilkan bunyi “Desisan“ (dengan nada yang semakin meningkat), bukannya bunyi bip nada yang stabil.

Mod 5 – Kepekaan Rendah—kelantangan penuh memerlukan lebih banyak tekanan. 2 “Desisan“

Mod 6 – Kepekaan Tinggi—kelantangan penuh memerlukan kurang tekanan. 3 “Desisan“

### 2.2.4 Memilih bunyi utama

Jika anda mempunyai tisu leher yang keras atau berada dalam persekitaran yang bising. Bunyi utama kelabu boleh digunakan kerana bunyi yang lebih tajam. (Lihat 2.3.2 Menggantikan bunyi utama)

### 2.2.5 Menggunakan penjarak bunyi utama (B) - (TTE/P)

Jika anda selalu menggunakan nada yang lebih tinggi dan lebih suka sifat nada tanpa penjarak bunyi utama, anda boleh menanggalkan penjarak. (Lihat 2.3.3 Masukkan/tanggalkan penjarak bunyi utama)

### 2.2.6 Mengecas bateri

- Tarik penutup debu USB (U) keluar pada hujung atas. (TTE/P)
- Masukkan USB mikro ke dalam bicu pengecas USB (V) dengan palam yang diluluskan untuk mengecas pada dinding.
- Periksa bahawa lampu penunjuk LED (L) menyala.
- Cabut palam unit apabila pengecasan selesai untuk menjimatkan kuasa. Guna sehingga kelantangan mula berkurangan, iaitu pada 80% menyusut.

### Lampu penunjuk LED (L)

- Bateri lemah (TTE/P) - Lampu dihidupkan apabila anda menekan butang kuasa yang menandakan bahawa masa untuk mengecas hampir tiba.
- Mengecas - Lampu berterusan
- Selesai mengecas - Lampu berkelip-kelip

### 2.2.7 Peletakan leher elektrolarinks

- Letakkan bunyi utama (A) pada leher anda dan aktifkan butang kuasa (C). Jangan masukkan mana-mana bahagian peranti atau aksesori ke dalam stoma.
- Bercakap apabila bunyi dibawa ke dalam mulut anda. Jangan paksa keluar udara.
- Pastikan kedap udara antara bunyi utama dan leher anda.
- Cuba kedudukan yang berlainan sehingga anda mendapat bunyi yang terbaik. Ambil perhatian bahawa perubahan kedudukan sebanyak 3 mm / 1/8" juga boleh memberi kesan yang sangat besar pada kelantangan bunyi.
- Jika anda tidak dapat mencapai penghantaran bunyi melalui leher anda atau tidak dapat meletakkan peranti pada leher anda atas sebab perubahan, cuba peletakan pipi atau gunakan penyesuai mulut (Lihat memasang/menggunakan penyesuai mulut/tiub oral pilihan 2.3.4).
- Menyelaraskan nada asas ke atas atau ke bawah dapat menghasilkan suara yang lebih baik.
- Nada jarak pertengahan lebih senang didengar oleh kebanyakan orang.

### 2.2.8 Penyesuai mulut dan tiub oral pilihan

Jika peletakan leher tidak sesuai dengan anda kerana leher sakit atau degungan berlebihan, anda boleh menggunakan penyesuai mulut. (Memasang/menggunakan penyesuai mulut/tiub oral 2.3.4)

## 2.2.9 Garis panduan penggunaan demonstrasi

### Amaran!

Penyesuai mulut, tiub oral dan bunyi utama hanya untuk kegunaan seorang pesakit dan tidak boleh digunakan semula antara pesakit.

### Langkah berjaga-jaga!

Selenggara peranti selepas setiap penggunaan pesakit dan demonstrasi mengikut arahan penyelenggaraan.

- Penggunaan demonstrasi bertujuan untuk menentukan kesesuaian pesakit dengan peranti.
- Pengguna hendaklah membersihkan dan membasmi kuman tangannya dengan isopropil alkohol (IPA) atau dengan pembasmi kuman lain yang sesuai, atau gunakan sarung tangan.
- Bunyi utama (A) (termasuk butang suara dan gelang buih) hendaklah digantikan dan dibuang antara setiap pesakit (2.3.2 Menggantikan bunyi utama).
- Peranti hendaklah dilap sebelum dan selepas setiap pesakit mengikut 2.3.1 Penyelenggaraan peranti.

## 2.3 Penyelenggaraan dan penukaran bahagian

### 2.3.1 Penyelenggaraan peranti

- Tindakan penyelenggaraan merupakan tanggungjawab pengguna. Penyelenggaraan sepatutnya dilakukan selepas setiap penggunaan.
- Lap peranti dengan kain yang bersih dan kering, atau jika perlu, dengan kain yang sedikit lembap (bukannya basah). Gunakan air dengan sabun lembut atau Isopropil alkohol 50-75%.
- Berhati-hati supaya tidak memasukkan lembapan ke dalam peranti.
- Jangan gunakan pembersih elektrik atau semburan.

### 2.3.2 Menggantikan bunyi utama (Ilustrasi 5)

Hubungi wakil tempatan anda untuk mendapatkan pengganti bunyi utama.

1. Lap peranti mengikut 2.3.1. Penyelenggaraan. Pastikan anda menggunakan tekanan ringan dan mengelap butang kuasa dengan gerakan membulat atau memutar. Setelah mengelap badan peranti, lap penutup bunyi utama, berhati-hati agar tidak menggunakan tekanan berlebihan yang akan menyebabkan butang suara atas tertanggal.
2. Alihkan bunyi utama dengan melepaskannya.
3. Pastikan penjarak bunyi utama (B) masih terpasang. Gantikan penjarak jika penjarak rosak atau hilang sebelum memasang bunyi utama baharu (A) (TTE/P) (Lihat 2.3.3 Masukkan/tanggalkan penjarak bunyi utama).
4. Pasang bunyi utama baharu (A).

**Langkah berjaga-jaga:** Jangan keluarkan diafragma silikon di bawah bunyi utama. Diafragma silikon harus disimpan di alur pada batang gegelung/penggerak. (Ilustrasi 3)

**Langkah berjaga-jaga:** Jangan memutar gegelung/penggerak. Wayar hendaklah berputar dengan lancar di sekitar gegelung/penggerak. (Ilustrasi 3)

### 2.3.3 Masukkan/tanggalkan penjarak bunyi utama (Ilustrasi 2)

1. Buka bunyi utama.
2. Masukkan/tanggalkan penjarak.
3. Pasang bunyi utama kembali.
4. Uji peranti itu, dengar kualiti nada. Sekiranya anda lebih suka sifat nada tanpa penjarak, pastikan anda menyimpan penjarak di tempat yang selamat, seperti kotak yang mengandungi peranti anda semasa diterima.



### 2.3.4 Memasang/menggunakan penyesuai mulut/tiub oral (Ilustrasi 3)

1. Masukkan tiub oral (I) ke bahagian atas penyesuai mulut (J).

**Langkah berjaga-jaga:** Jangan masukkan tiub oral yang melebihi hentian. Pastikan tiub tidak terjulur ke kawasan penutup.

2. Letakkan penyesuai mulut di atas bunyi utama (A).

**Langkah berjaga-jaga:** Jangan memutar penyesuai mulut.

3. Letakkan tiub oral ke dalam mulut, pada bahagian tepi mulut.

4. Aktifkan elektrolarinks. Bercakap di sekitar tiub oral.

### 2.3.5 Menukar bateri

#### STP

Dua sel AA isi semula 1.5 V Nickel Metal Hydride (NiMH).

• Pasang bateri (F) dengan mengikut anak panah yang terletak di dalam STP (Ilustrasi 1)

#### (TTE/P):

Gunakan hanya bateri Li-Ion yang diluluskan. Hubungi pengedar untuk mendapatkan maklumat lanjut.

• Pasang bateri (F) seperti yang ditunjukkan (Ilustrasi 1); bateri hanya sesuai dimuatkan satu hala. Tab penjajaran penyambung bateri (H) menghala ke atas, dengan wayar merah di sebelah kanan. (Ilustrasi 1)

## 2.4 Panduan penyelesaian masalah

### 2.4.1 Kebolehfahaman yang tidak memuaskan semasa penggunaan telefon

1. Letakkan mikrofon telefon sejajar dengan hidung, bukannya di bawah mulut. Perkara ini akan menjauhkan mikrofon daripada bunyi stoma dan elektrolarinks.
2. Kurangkan kelantangan elektrolarinks supaya tahap kelantangan seberapa senyap yang mungkin sementara masih menghasilkan nada.

### 2.4.2 Unit “mati”, “rosak” atau “telah berhenti berfungsi”

1. Pastikan tombol kelantangan (D) tidak diputar ke bawah sepenuhnya yang mematikan peranti.
2. Putar tombol kelantangan (D) ke bawah sepenuhnya untuk mematikan peranti.
3. Tekan butang kuasa dengan lembut (C) dan tingkatkan tekanan. Jika peranti diaktifkan dan dinyahaktifkan dalam proses, peranti perlu dihantar untuk digantikan. (Lihat 2.5.1 Servis & bantuan)
4. Jika LED dihidupkan setiap kali butang kuasa (C) ditekan, bateri peranti lemah dan perlu dicas. (TTE/P)
5. Palamkan kabel USB mikro yang diketahui berfungsi, yang berkuasa, pada peranti. Jika peranti dihidupkan dan LED berkelip-kelip, maka bateri peranti tidak dipalamkan. Tanggalkan penutup bateri dan tekan penyambung kabel bateri (plastik hitam untuk wayar hitam dan merah) lebih jauh ke dalam bekas.

### 2.4.3 Lampu pengecasan (L) tidak dihidupkan semasa mengecas

1. Uji saluran keluar kuasa dengan lampu.
2. Pastikan kabel USB mikro dipalamkan sepenuhnya pada bekalan kuasa dan peranti.
3. Cuba kabel USB mikro yang lain.
4. Cuba bekalan kuasa yang lain (saluran keluar kuasa USB).
5. Uji pengecas & kabel pada telefon bimbit atau peranti lain.

## **STP**

6. Pastikan bateri dapat dicas semula.

Peranti tidak akan mengecap bateri yang tidak dapat dicas semula.

7. Pastikan bateri dimasukkan dengan betul. Periksa untuk memastikan bateri mempunyai orientasi yang betul dengan + bateri menghadap + peranti.

## **TTE/P:**

8. Palamkan kabel USB mikro yang diketahui berfungsi yang berkuasa pada peranti dan aktifkan butang kuasa (C), jika peranti dihidupkan dan lampu LED berkelip-kelip, maka bateri peranti tidak dipalamkan. Tanggalkan penutup bateri (G) dan tekan penyambung bateri (H) lebih jauh ke dalam bekas.

### **2.4.4 Unit “berdengung terlalu banyak” “berbunyi pelik”, “perlahan” atau “tidak jelas”**

1. Pastikan bunyi utama (A) bersentuhan sepenuhnya dengan kulit pada leher.

2. Cuba tempat lain pada leher. (Lihat 2.2.7 Peletakan leher elektrolarinks)

3. Kurangkan kelantangan (D).

4. Laraskan nada (K).

5. Gunakan penyesuai mulut (Lihat Memasang/menggunakan penyesuai mulut/ tiub oral 2.3.4)

6. Periksa penutup. Jika butang suara kelihatan longgar atau telah beralih sedikit atau gelang buih kelihatan rosak, peranti mungkin memerlukan gelang buih yang baharu.

7. Tanggalkan bunyi utama (A) dan lihat bahagian dalam.

- Adakah terdapat kepingan getah kecil di tengah-tengah bunyi utama (A)?

Jika tiada, unit memerlukan butang suara ganti. (Lihat 2.5.1 Servis & bantuan)

- Pastikan diafragma terpasang pada tiang gegelung. Pastikan gegelung melantun bebas apabila disentuh dan tidak berasa kasar (Ilustrasi 4)

## **TTE/P:**

1. Cuba bunyi utama pilihan yang sangat tajam (2.3.2 Menggantikan bunyi utama) (Ilustrasi 5)

### **2.4.5 “Bunyi utama (A) tercabut” atau butang suara telah terkeluar daripada penutup**

1. Periksa jika gelang buih rosak.

2. Jika gelang buih tidak rosak, gelang buih asal boleh digunakan semula dan dipasangkan semula.

3. Jika gelang buih rosak, gelang buih perlu ditukar.

## **TTE/P:**

Kepekaan penderia butang mungkin terlalu peka. Cuba MOD lain, biasanya mod yang lebih rendah.

### **2.4.6 Butang “melekit”**

1. Baca nasihat pembersihan umum (2.3.1 Penyelenggaraan peranti).

2. Gunakan putik kapas dengan sedikit alkohol yang disyorkan (2.3.1 Penyelenggaraan peranti) untuk membersihkan sekitar butang kuasa sebanyak 5-6 kali, kemudian tekan butang kuasa 5-6 kali.

3. Tekan butang kuasa dan bersihkan sekitar butang kuasa dengan putik kapas secara bergilir-gilir. Teruskan sehingga tidak lagi melekit.

4. Gunakan sekeping kertas tebal untuk mengeluarkan kotoran yang tersekat dalam celah butang kuasa.

### **2.4.7 Nada tidak stabil (TTE/P)**

Cuba mod yang mempunyai kepekaan yang lebih rendah. (Lihat 2.2.3 Menetapkan mod)

## 2.4.8 Kelantangan tidak stabil (TTE/P)

Cuba mod yang bukan mod kelantangan. (Lihat 2.2.3 Menetapkan mod)

## 2.4.9 Unit menyebabkan gangguan penerimaan radio atau TV

1. Mengorientasi semula atau menempatkan semula antena penerima.
2. Tingkatkan jarak antara peralatan dan penerima.
3. Sambungkan peralatan ke salur keluar pada litar yang berlainan daripada yang disambungkan kepada penerima.
4. Rujuk penjual atau juruteknik radio/TV yang berpengalaman untuk mendapatkan bantuan.

## 2.5 Servis

### 2.5.1 Servis & bantuan

Elektrolarinks tidak mengandungi bahagian yang boleh diservis selain yang boleh ditanggalkan oleh pesakit. Bahagian servis merangkumi bateri, bunyi utama, penjarak bunyi utama, gelang buih, penyesuai mulut dan tiub oral. Hubungi wakil tempatan anda untuk mendapatkan bantuan dalam penggunaan atau penyelenggaraan elektrolarinks anda dan untuk memesan alat ganti yang sedia ada.

## 2.6 Pelupusan

Sentiasa ikuti amalan perubatan dan keperluan kebangsaan berkenaan biobahaya apabila melupuskan peranti perubatan yang telah digunakan.

## 2.7 Pelaporan

Sila ambil perhatian bahawa sebarang kejadian serius yang berlaku berkaitan dengan peranti itu hendaklah dilaporkan kepada pengilang dan pihak berkuasa kebangsaan bagi negara tempat pengguna dan/atau pesakit itu berada.

## 3. Spesifikasi teknikal

Perihalan	Spesifikasi
Suhu pengendalian (untuk mengekalkan hayat bateri yang optimum)	+5°C hingga +25°C +41°F hingga +77°F
Suhu penyimpanan dan pengangkutan (untuk mengekalkan hayat bateri yang optimum)	-20°C hingga +25°C -4°F hingga +77°F
Kelembapan pengendalian (untuk mengekalkan hayat bateri yang optimum)	kelembapan relatif 15% hingga 93%, 700 hPa hingga 1060 hPa
Kelembapan penyimpanan	kelembapan relatif 0% hingga 45%
Tempoh jangka hayat dijangka	1-5 tahun
Bahagian yang digunakan	Bahagian Digunakan Jenis BF (seluruh peranti)

Perihal	Spesifikasi
Mod pengendalian	30 minit pengaktifan dalam tempoh 24 jam
Sumber kuasa	Dikuasakan secara dalaman
Dimensi	Provox SolaTone Plus 118 mm (4.6 inci); Provox TruTone Emote 113 mm (4.5 inci); Provox TruTone Plus 113 mm (4.5 inci)
Berat	Provox SolaTone Plus 130 g (0.29 paun); Provox TruTone Emote 130 g (0.29 paun); Provox TruTone Plus 131 g (0.29 paun)
Spesifikasi pengecasan	Minimum 5 V, 750 mA (atau minimum 0.75 A)

## 4. Pematuhan

Peranti diuji dan mematuhi IEC 60601-1-2 dengan tahap ujian yang digunakan untuk persekitaran domestik.

# 1. 本製品の説明

## 1.1 使用目的

電気式人工喉頭は、外から当てて使用するバッテリー式の人工喉頭で、喉頭で発声することができない場合に使用することを目的としています。喉頭周辺部分の皮膚に押し当てるか、（口腔アダプタを使って）口腔にチューブを挿入することにより、装置が生成した機械的振動を口腔と鼻腔で共鳴し、通常行うように舌と唇で調節することにより発話を可能にします。

## 1.2 禁忌

本装置は必ず取扱説明書に従って使用してください。身体的機能や認知機能の低下または精神状態などにより自身で装置の着脱および操作ができない患者は、装置を単独で使用せず、医師や訓練を受けた介護者の監督の下でのみ使用してください。本装置を血管が脆い頸部組織に直接当てないようにしてください。組織の損傷や出血を引き起こす可能性があります。このような症状のある患者が本装置を使用する場合は、使用方法や、安全に装置を当てられる場所等の説明を医師から受けた後に使用してください。

## 1.3 製品説明

電気式人工喉頭は、損傷の無い皮膚に外から当てて使用するバッテリー式の人工喉頭で、喉頭を喪失した、又は喉頭で発声することができない場合に使用することを目的としています。

## 1.4 警告

- 以下の安全情報をすべてよくお読みの上ご使用ください。安全上の注意に従わない場合、ケガや装置の破損につながる事があります。
- 誤った使い方をしたり、本取扱説明書の指示を守らない場合、怪我や装置の破損の原因になる可能性があります。
- 交差感染を引き起こす可能性があるため、複数の患者間で使用しないでください。本装置は単一患者への使用のみを目的としています。
- 水やその他の液体に触れた、又は落とした状態で電源を入れる、使用する、充電をすることは行わないでください。けがや装置の故障の原因となります。
- 充電する前に、充電器に破損がないか点検してください。破損、又は機能していない充電器は、火災や事故の原因になる可能性があるため、使用しないでください。
- 認定外の充電器の使用は、火災やけが、装置の故障の原因となる可能性があるため、認定された充電器のみを使用してください。
- 充電式でないバッテリーを充電しないでください。けがや機器の故障の原因となる可能性があります。
- 充電式バッテリーを充電式でないバッテリーに交換しないでください。けがや装置の故障の原因となる可能性があります。
- バッテリーを物理的に破損させないでください。けがや装置の故障の原因となる可能性があります。
- 複数のバッテリーをポケットや、財布、箱、引き出しなどに保管しないでください。相互に短絡（ショート）したり、小銭や鍵などの伝導性物質により短絡（ショート）し、けがや機器の故障の原因となる可能性があります。
- 液漏れしたバッテリーを使用しないでください。けがや装置の故障の原因となる可能性があります。

- リチウムバッテリーをラベルに記載されている温度範囲外の温度になる場所に置かないでください。けがや装置の故障の原因となる可能性があります。
- バッテリー交換の際はご注意ください。不適当なバッテリーの取り付けは、発熱や発火など危険な状況に至り、けがや装置の故障の原因となる可能性があります。
- 本装置は磁石を内蔵しており、磁気や電磁波を発生します。ペースメーカーやその他の埋め込み型装置に干渉したり、特定の処置や治療に支障をきたす可能性があります。本機と埋め込み型装置の間には、15センチメートル（6インチ）以上の距離を保ってください。医療的処置や治療を行う前に、医師に相談してください。埋め込み式装置と本装置が干渉している疑いがある場合は使用を中止し、医師に相談してください。
- 装置や構成部品などを気管孔に挿入しないでください。けがをする可能性があります。
- 本機を改造しないでください。けがや装置の故障の原因となる可能性があります。
- 本装置には小さな部品が含まれており、外れて、窒息する可能性があります。小さなお子様の手の届かない場所で使用してください。

## 1.5 使用上の注意

- バッテリーキャップを開閉する際には、バッテリーの配線を傷つけないように注意してください。
- 取扱説明書に従ってメンテナンスを行ってください。けがや装置の故障の原因となる可能性があります。
- 故障した装置、改造された装置を使用したり、充電したりしないでください。けがや装置の故障の原因となる可能性があります。
- 本装置とバッテリーは充電中に熱を帯びる場合があります（最高 45 °C / 113 °F）。装置を冷ましてから使用してください。
- 使用中に本装置が暖かくなることがあります。首に当てて使用する場合は、ご注意ください。
- 長時間の使用では、振動が敏感なユーザーに不快感を与える場合があります。
- 他の機器からの電磁波の影響により、装置が誤動作したり、動作が停止したりする場合があります。
- 口腔チューブを噛むと歯を痛める原因となる可能性がありますので、ご注意ください。
- 装置を落とすと故障の原因となる可能性があります。ご注意ください。
- 装置の使用中は、肩や腕に力が入るため、肩の機能障害をお持ちの方は疲労感を感じる可能性があります。

## 2. 取扱説明書

**定義：** **TTE** = *Provox TruTone Emote*、**TTP** = *Provox TruTone Plus*、**TTE/P** = 両方の *Provox TruTone* 製品、**STP** = *Provox SolaTone Plus*

### 2.1 内容物

#### 箱の内容

- 電気式人工喉頭
- 取扱説明書
- 口腔アダプタ
- 口腔チューブバラエティパック
- マイクロ USB ケーブル
- エクストラシャープサウンドヘッド（TTE/P）
- 単 3 形ニッケル水素充電式バッテリー（STP）2 本
- ストラップ

## 部品仕様 (写真 1)

- A. サウンドヘッド (TTE/P x2) (STP x1) (サウンドボタン、フォームリングを含む)
- B. サウンドヘッドスペーサーリング (TTE/P)
- C. 電源ボタン (TTE/P では Emotion™ ボタン)
- D. 音量調節ダイヤル
- E. 本体
- F. バッテリー
- G. バッテリーキャップ
- H. バッテリーコネクタ (TTE/P)
- I. 口腔チューブ (2+2)
- J. 口腔アダプタ
- K. 音程 (ピッチ) 調節ダイヤル
- L. LED インジケータライト
- M. モードボタン (TTE/P)
- U. USB ダストカバー (TTE/P)
- V. USB 充電ジャック

## 2.2 操作方法

### 2.2.1 音量レベルと電源

- 音量調節ダイヤル (D) が一番下に下りている場合は電源が切れています。
- 音量調節ダイヤル (D) を上に回し電源を入れ、音量を調節します。

### 2.2.2 音程の調整

- 音程 (ピッチ) 調節ダイヤル (K) を回して音程を調整します。
- 最初の調整を行う間は、電源ボタン (TTE/P ではエモーションボタン) を押し続けて、音の変化を確認してください。
- 電源ボタン (C: TTE/P ではエモーションボタン) を押さずに音程 (ピッチ) 調節ダイヤル (K) を使用すると、消音状態で音程が変化します。

### 2.2.3 モード設定 (TTE/P)

モードを変更するには、バッテリーキャップを取り外してから、モードボタン (M) と電源ボタン (C: TTE/P ではエモーションボタン) の両方を同時に押します。モードはすぐに変更されますが、電源ボタン (C: TTE/P ではエモーションボタン) を押し続けると、新しいモード設定を示すピープ音が鳴ります。ピープ音の回数とトーンはどのモードであるかを示します。

Provox TruTone Emote (TTE) には 1 ~ 6 の 6 つのモードがあり、Provox TruTone Plus (TTP) には 1 ~ 2 の 2 つのモードがあります。

#### モード 1 ~ 4 : 4 つの音域設定。

モード 1 - ほぼ単調	ピープ音 1 回
モード 2 - 狭い音域 (1/2 オクターブの音域)	ピープ音 2 回
モード 3 - 中程度の音域	ピープ音 3 回
モード 4 - 広い音域 (2 オクターブの音域)	ピープ音 4 回

**モード 5 ~ 6 (TTE) :** 音量モード。電源ボタン (C: TTE/P ではエモーションボタン) を使用して音量を調整することができます。これは、音程調節を行わない方にとって、ダイヤルを操作することなく音量を調節できる機能です。軽く押すと「ささやき声」のように発話でき、強く押すと最大の音量が出ます。この音量モードに設定しても、最大音量は音量調節ダイヤルにより制限できます。音量モードに変更すると、通常のピープ音ではなく、「ブー」という音が鳴ります (音が長くなります)。

モード 5 - 低感度 (最大音量を出すには強く押します)。 「ブー音」 2 回

モード 6 - 高感度 (弱く押しても最大音量が出ます)。 「ブー音」 3 回

## 2.2.4 サウンドヘッドの選択

首の組織が硬い方や、騒がしい環境にいる場合は、灰色のサウンドヘッドを持ちいることで、よりシャープな音が得られます。（「2.3.2 サウンドヘッドの交換」を参照）

## 2.2.5 サウンドヘッドスペーサー（B）の使用：（TTE/P）

普段から高い音を使用していて、サウンドヘッドスペーサーなしの方が音質的に好ましい場合は、スペーサーを外しても構いません。（「2.3.3 サウンドヘッドスペーサーの追加 / 削除」を参照）

## 2.2.6 バッテリーの充電

- USB ダストカバー（U）を上端から引き抜きます。（TTE/P）
- USB 充電ジャック（V）にマイクロ USB ケーブルを挿入し認定された充電器に接続して下さい。
- LED インジケータライト（L）が点灯していることを確認してください。
- 消費電力を抑えるために、充電が完了したらコードを抜きます。バッテリー容量の 80 パーセントが消費され、次第に音量が小さくなり始めるまで使用します。

### LED インジケータライト（L）

- 要充電（TTE/P）：電源ボタンを押すとライトが点灯し、充電時期が近づいていることを知らせます。
- 充電中：点灯
- 完全充電：点滅

## 2.2.7 電気式人工喉頭を頸部に配置する

- サウンドヘッド（A）を頸部に当て、電源ボタン（C: TTE/P ではエモーションボタン）を作動させます。装置の装置の部品や構成部品等を気管孔に挿入しないでください。
- 音が口腔内に伝導しているときに話します。空気を押し出さないようにしてください。
- サウンドヘッドと頸部を密着させるようにします。
- 最も好ましい音声が出るまでさまざまな位置を試してください。3 mm（1/8 インチ）程度位置を変えるだけで、音量に大きな影響が出る事があります。
- 頸部からの音の伝達ができない場合や、医療上の理由で装置を首に当てられない場合は、頬に当ててみるか、口腔アダプタを使用してください（オプションの「2.3.4 口腔アダプタ / チューブの取り付け / 使用」を参照）。
- 基本となる音程を上下に調節すると、より好ましい音声が出ることがあります。
- 多くの人にとって聞き取りやすい音程は中音域の音程です。

## 2.2.8 口腔アダプタと口腔チューブ（オプション）

頸部が過敏だったり、音が気になるなどの理由で頸部への配置がうまくいかない場合は、口腔アダプタを使用できます。（「2.3.4 口腔アダプタ / チューブの取り付け / 使用」）

## 2.2.9 見本品として使用する際のガイドライン

### 警告!

口腔アダプタ、口腔チューブ、およびサウンドヘッドは患者個人専用です。患者間で再使用しないでください。

### 使用上の注意!

患者に向けて、およびデモンストレーション用に使用した後は、メンテナンス手順の通りに装置をメンテナンスしてください。



- デモンストレーションでの使用は、患者が装置を使用するのに適しているかどうかを判断することを目的としています。
- 使用者は、イソプロピルアルコール (IPA)、またはその他の適切な消毒剤で手を清潔に消毒するか、手袋を使用してください。
- サウンドヘッド (A) (サウンドボタンとフォームリングを含む) は、患者ごとに交換および廃棄する必要があります (「2.3.2 サウンドヘッドの交換」)。
- 「2.3.1 装置のメンテナンス」の通りに、各患者が使用する前と後で装置をふき取る必要があります。

## 2.3 メンテナンスと部品交換

### 2.3.1 装置のメンテナンス

- メンテナンスはユーザーの責任の下で行ってください。使用後は必ずメンテナンスを行ってください。
- 清潔で乾いた布、または必要に応じて少し湿らせた布 (水滴が垂れない程度) で装置を拭きます。水に中性洗剤を加えたものか、50 ~ 75% のイソプロピルアルコールを使用してください。
- 装置内に水分が入らないように注意してください。
- 電気式クリーナーやスプレー式クリーナーは使用しないでください。

### 2.3.2 サウンドヘッドの交換 (P4、図 5)

サウンドヘッドの交換については、当社までお問い合わせください。

1. 「2.3.1 装置のメンテナンス」の通りに装置をきれいに拭きます。円を描くように、又はねじるように軽く力をいれて電源ボタンを拭いてください。本体を拭いた後、上部のサウンドボタンが外れないように注意しながら、サウンドヘッドキャップを拭いてください。
2. サウンドヘッドのネジを緩めて取り外します。
3. サウンドヘッドスペーサー (B) が装着されていることを確認してください。壊れたり欠けたりしている場合は、新しいサウンドヘッド (A) (TTE/P) を取り付ける前に交換してください (「2.3.3 サウンドヘッドスペーサーの追加 / 削除」を参照)。
4. 新しいサウンドヘッド (A) を取り付けます。

**使用上の注意:** サウンドヘッドの下にあるシリコン製の膜を取り外さないでください。シリコン製の膜は、コイル / 駆動装置の柄の部分の溝にはまっている必要があります。(P4、図 4)

**使用上の注意:** コイル / 駆動装置をねじらないでください。ワイヤーはコイル / 駆動装置にスムーズに巻きついている必要があります。(P4、図 4)

### 2.3.3 サウンドヘッドスペーサーの追加 / 削除 (P3、図 2)

1. サウンドヘッドのネジを外します。
2. スペーサーを追加 / 削除します。
3. サウンドヘッドを元に戻します。
4. 音質を聞いてテストします。スペーサーなしでの音質の方がよい場合は、本製品が梱包されていた箱など、必ず安全な場所にスペーサーを保管してください。

### 2.3.4 口腔アダプタ / チューブの取り付け / 使用 (P3、図 3)

1. 口腔チューブ (I) を口腔アダプタ (J) の上部に差し込みます。

**使用上の注意:** 口腔チューブは停止位置を越えた先まで挿入しないでください。チューブがキャップ周辺まで突き出ていないことを確認します。

2. 口腔アダプタをサウンドヘッド (A) にかぶせます。

**使用上の注意:** ひねらないでください。

3. 口腔チューブを口角から口腔内に入れます。
4. 電気式人工喉頭を作動させます。口腔チューブを当てて話します。

### 2.3.5 バッテリーの交換

#### STP

1.5V ニッケル水素 (NiMH) 充電式バッテリー (単3形) 2本。

- STP (P2、図1) 内に配置された矢印に沿ってバッテリー (F) を取り付けます

#### TTE/P :

認定されているリチウムイオンバッテリーのみを使用してください。詳細については、販売店にお問い合わせください。

- 図 (P2、図1) のようにバッテリー (F) を挿入します。挿入する向きは決まっています。バッテリーコネクタ (H) の位置合わせタブを上向きにして、赤いワイヤーが右側に来るようにします。(P2、図1)

## 2.4 トラブルシューティングガイド

### 2.4.1 電話使用中の明瞭性が不十分

1. 電話のマイクを口の下ではなく、鼻のそばに置いてください。これにより、気管孔や電気式人工喉頭の音からマイクを遠ざけることができます。
2. 電気式人工喉頭の音を出しながら、できるだけ静かなレベルになるよう音量を下げます。

### 2.4.2 装置が「破損」、「故障」または「動作停止」した場合

1. 音量調節ダイヤル (D) が一番下まで回っていないことを確認してください。一番下まで回っている場合は、装置の電源がオフになっています。
2. 音量調節ダイヤル (D) を完全に一番下まで回してオフにします。
3. 電源ボタン (C: TTE/P ではエモーションボタン) を軽く押し、徐々に押す力を強めてください。この過程で装置が起動したり停止したりする場合は、装置を交換する必要があるため、ご郵送ください。(「2.5.1 サービスとサポート」を参照)
4. 電源ボタン (C: TTE/P ではエモーションボタン) を押すたびに LED が点灯する場合は、装置のバッテリー残量が少なくなっているため、充電が必要です。(TTE/P)
5. 通電が確認できている正常なマイクロ USB ケーブルを装置に差し込みます。装置の電源が入り、LED が点滅する場合は、バッテリーが接続されていません。バッテリーキャップを取り外し、バッテリーケーブルコネクタ (黒と赤の配線が入り込んでいる黒いプラスチック) を本体内部へさらに押し込んでください。

### 2.4.3 充電中に充電ライト (L) が点灯しない

1. ランプなどで電源コンセントが正常に通電しているかどうかテストします。
2. マイクロ USB ケーブルが電源と装置に完全に差し込まれていることを確認してください。
3. 別のマイクロ USB ケーブルを試してください。
4. 別の電源 (USB 給電用コンセント) を試してください。
5. 携帯電話やその他の装置で充電器とケーブルをテストしてください。

#### STP

6. 充電式バッテリーであることを確認してください。  
非充電式のバッテリーは当装置では充電できません。

7. バッテリーが正しく挿入されていることを確認してください。バッテリーの向きを確認し、バッテリーの「+」が装置の「+」と一致する正しい向きになっていることを確認してください。

#### **TTE/P :**

8. 通電が確認できている正常なマイクロ USB ケーブルを差し込み、電源ボタン (C: エモーションボタン) をオンにします。装置の電源がオンになり、LED ライトが点滅する場合は、バッテリーが接続されていません。バッテリーキャップ (G) を取り外し、バッテリーコネクタ (H) をさらに本体内部に押し込みます。

#### **2.4.4 装置の音が「大きすぎる」、「おかしい」、「こもっている」場合**

1. サウンドヘッド (A) が頸部の皮膚に完全に接触していることを確認してください。
2. 頸部の別の場所を試してください。(「2.2.7 電気式人工喉頭を頸部に配置する」を参照)
3. 音量調節ダイヤル (D) を下げます。
4. 音程調節ダイヤル (K) を調整します。
5. 口腔アダプタを使用します (「2.3.4 口腔アダプタと口腔チューブの取り付け / 使用」を参照)。
6. キャップを点検します。サウンドボタンが緩んでいるか、わずかに動いている場合、またはフォームリングが損傷している場合は、装置に新しいフォームリングが必要になる可能性があります。
7. サウンドヘッド (A) を取り外し、中を見てください。
  - サウンドヘッド (A) の中央に小さなゴム製の部品が見当たらない場合は交換用のサウンドボタンが必要です。(「2.5.1 サービスとサポート」を参照)
  - シリコン製の膜がコイルの軸にはまっていることを確認してください。コイルに触れたときに自由にコイルが上下に動く事を確認してください。また、ザラザラした感触がないことを確認してください (P4、図 4)

#### **TTE/P :**

1. オプションのエクストラシャープサウンドヘッドの使用をお試しください (「2.3.2 サウンドヘッドの交換」) (P4、図 5)

#### **2.4.5 「サウンドヘッド (A) が外れた」、またはサウンドボタンがキャップから押し出された**

1. フォームリングが損傷していないか確認してください。
2. 損傷していない場合は、元のフォームリングを再利用して元通りに組み立てることができます。
3. 損傷している場合は交換が必要です。

#### **TTE/P :**

ボタンセンサーの感度が高すぎる可能性があります。別のモード、通常は低感度モードを試してください。

#### **2.4.6 ボタンが「固い」**

1. 一般的なクリーニングに関するアドバイス (「2.3.1 装置のメンテナンス」) をお読みください。
2. 綿棒に推奨アルコール (「2.3.1 装置のメンテナンス」を参照) を少量含ませて、電源ボタンの周りを 5 ~ 6 回清掃した後、電源ボタンを 5 ~ 6 回押ししてください。
3. 電源ボタン (C: TTE/P ではエモーションボタン) を押す、ボタンの周りを綿棒で掃除する、交互に行います。
4. 電源ボタンの隙間に詰まったゴミを厚めの紙で取り除きます。

#### **2.4.7 音程が不安定 (TTE/P)**

低感度モードをお試しください。(「2.2.3 モード設定」を参照してください)

## 2.4.8 音量が不安定 (TTE/P)

音量モード以外のモードをお試ください。「2.2.3 モード設定」を参照してください)

## 2.4.9 ラジオやテレビの受信に干渉してしまう

1. 受信アンテナの向きや設置場所を変更してください。
2. 本装置と受信機の距離を広げてください。
3. 受信機が接続されている回路とは別の回路のコンセントに本装置を接続してください。
4. 販売店または経験を積んだラジオ / テレビの技術者にお問合せください。

## 2.5 サービス

### 2.5.1 サービスとサポート

本電気式人工喉頭には、患者により取り外し可能な部品以外に、修理可能な部品はありません。サービス部品には、バッテリー、サウンドヘッド、サウンドヘッドスパーサー、フォームリング、口腔アダプタ、口腔チューブがあります。本電気式人工喉頭の使用方法やメンテナンス、部品の注文については、最寄りの代理店にお問い合わせください。

## 2.6 廃棄

使用済みの医療機器を廃棄する際は、必ずバイオハザードに関する医学的慣習および国で定められた基準に従って行ってください。

## 2.7 報告

製品に関連して発生した重大な事故はすべて、使用者および / または患者が居住している国の製造販売業者および国家当局に報告されますので、ご了承ください。

## 3. 技術仕様

項目明	仕様
動作温度 (バッテリー寿命を最適に保つため)	+5 ~ +25 °C +41 ~ +77 °F
保管・輸送時の温度 (バッテリー寿命を最適に保つため)	-20 ~ +25 °C -4 ~ +77 °F
動作湿度 (バッテリー寿命を最適に保つため)	相対湿度 15 ~ 93%、 700 ~ 1,060 hPa
保管湿度	相対湿度 0 ~ 45%
標準耐用年数	1 ~ 5 年
装着部の分類	BF 型装着部

項目名	仕様
動作方法	24 時間中 30 分起動
電源	内部電源
寸法 (高さ)	Provox SolaTone Plus 118 mm (4.6 インチ)、 Provox TruTone Emote 113 mm (4.5 インチ)、 Provox TruTone Plus 113 mm (4.5 インチ)
重量	Provox SolaTone Plus 130 g (0.29 ポンド)、 Provox TruTone Emote 130 g (0.29 ポンド)、 Provox TruTone Plus 131 g (0.29 ポンド)
充電器の仕様	5 V、750 mA (0.75 A) 以上

## 4. コンプライアンス

当装置は IEC60601-1-2 に準拠し、国内の環境にて採用されているレベルのテストを受けています。

## 1. 설명 정보

### 1.1 사용목적

전기후두기는 배터리로 전원을 공급받는 인공 후두로, 후두를 사용할 수 없는 경우에 외부에 부착되어 소리를 생성합니다. 장치를 후두 부위의 피부에 장착하거나 (구강 어댑터를 사용해서) 구강 내에 튜브를 삽입하면 장치가 구강 및 비강에서 공명을 일으키는 기계적 진동을 발생시키고 혀와 입술을 사용하여 정상적인 방식으로 이를 조절할 수 있게 되어 음성을 만들 수 있습니다.

### 1.2 금기 사항

이 장치는 사용 지침에 따라 사용해야만 합니다. 사용자가 이 장치를 직접 작동하는 데 필요한 신체적, 인지적 또는 정신적 능력이 없는 경우 이 장치를 독립적으로 사용해서는 안 되며, 임상의 또는 훈련을 받은 간병인의 충분한 감독을 받고 있는 경우에만 사용해야 합니다. 이 장치는 약한 혈관이 있는 연약한 경부 조직에 직접 적용해서는 안 됩니다. 이것은 조직 손상이나 출혈을 일으킬 수 있습니다. 이 조건에 맞는 환자는 임상의가 이 장치의 사용 방법과 안전한 적용 위치에 대해 특별히 지시한 경우에만 이 장치를 사용해야 합니다.

### 1.3 장치 설명

전기후두기는 배터리로 전원을 공급받는 인공 후두로, 후두가 없거나 후두를 사용할 수 없는 경우에 손상되지 않은 피부의 외부에 부착되어 소리를 생성합니다.

### 1.4 경고

- 안전 지침을 따르지 않으면 부상을 입거나 장치가 손상될 수 있습니다. 장치를 사용하기 전에 아래의 모든 안전 정보를 읽으십시오.
- 장치를 잘못 사용하거나 이 IFU의 지침을 따르지 않으면 부상을 입거나 장치가 손상될 수 있습니다.
- 사람 사이에서 장치를 사용하지 마십시오. 교차 오염을 유발할 수 있습니다. 환자 한 명만 사용하도록 고안된 장치입니다.
- 물이나 기타 액체에 노출되거나 떨어뜨린 경우 장치를 켜거나 사용하거나 충전하지 마십시오. 부상을 입거나 장치가 손상될 수 있습니다.
- 충전하기 전에 충전기가 손상되었는지 검사하십시오. 손상되었거나 작동하지 않는 충전기는 더 이상 사용하지 마십시오. 화재, 부상 또는 장치 손상의 원인이 될 수 있습니다.
- 승인되지 않은 충전기를 사용하면 화재, 부상 또는 장치 손상이 발생할 수 있으므로 승인된 충전기만 사용하십시오.
- 비충전식 배터리를 충전하지 마십시오. 부상을 입거나 장치가 손상될 수 있습니다.
- 충전식 배터리를 비충전식 배터리로 교체하지 마십시오. 부상을 입거나 장치가 손상될 수 있습니다.
- 물리적으로 배터리를 손상시키지 마십시오. 부상을 입거나 장치가 손상될 수 있습니다.
- 배터리를 주머니, 지갑, 상자 또는 서랍 등에 보관하지 마십시오. 동전이나 열쇠와 같은 전도성 물질로 인해 또는 서로 단락될 수 있으며, 그 결과 부상을 입거나 장치가 손상될 수 있습니다.
- 누액이 있는 배터리는 사용하지 마십시오. 부상을 입거나 장치가 손상될 수 있습니다.
- 리튬 배터리를 라벨에 지정된 온도 범위를 벗어난 온도에 노출시키지 마십시오. 부상을 입거나 장치가 손상될 수 있습니다.
- 배터리를 교체할 때 주의하십시오. 배터리를 잘못 설치하면 과열 또는 화재와 같은 위험한 상황이 발생할 수 있으며, 이는 부상을 입거나 장치 또는 기타 재산을 손상시킬 수 있습니다.

- 이 장치에는 심박 조율기 또는 기타 이식 장치와 특정 절차 또는 치료를 방해할 수 있는 자기장 및 전자기장을 생성하는 자석이 포함되어 있습니다. 이 장치와 다른 이식된 장치 사이에 최소 6"/15cm의 거리를 유지하십시오. 의료상의 시술이나 치료를 받기 전에 담당 의사와 상의하십시오. 장치와 다른 이식된 장치 간의 간섭이 의심되면 사용을 중단하고 담당 의사와 상의하십시오.
- 기문에 장치나 액세서리의 어떤 부분도 삽입하지 마십시오. 부상을 입을 수 있습니다.
- 장치를 개조하지 마십시오. 부상을 입거나 장치가 손상될 수 있습니다.
- 이 장치에는 이탈할 경우 질식 위험을 일으킬 수 있는 작은 부품이 있습니다. 어린이로부터 멀리 하십시오.

## 1.5 주의 사항

- 배터리 캡을 열고 달을 때 배터리 배선이 손상되지 않도록 주의하십시오.
- 유지 관리 지침을 따르지 않으면 부상을 입거나 장치가 손상될 수 있습니다.
- 고장나거나 개조되거나 변경된 장치를 사용하지 마십시오. 또는 파손, 개조 또는 개조된 장치를 충전하지 마십시오. 부상을 입거나 장치가 손상될 수 있습니다.
- 충전 중에는 장치와 배터리의 온도가 높아질 수 있습니다(최대 45°C/113°F). 사용하기 전에 장치를 식히십시오.
- 사용 중 기기가 뜨거워질 수 있습니다. 목에 대고 사용할 때 필요한 예방 조치를 취하십시오.
- 광범위하게 사용하면 진동이 일부 민감한 사용자에게 불편함을 유발할 수 있습니다.
- 다른 장치의 전자기장 간섭으로 인해 장치가 오작동하거나 작동을 멈출 수 있습니다.
- 구강관을 씹거나 물지 않도록 주의하십시오. 치아에 손상을 줄 수 있습니다.
- 기기를 떨어뜨리면 기기가 손상될 수 있으므로 주의하십시오.
- 이 장치는 어깨 기능 장애를 경험하는 개인에게 어깨/팔에 힘과 피로감을 유발할 수 있습니다.

## 2. 사용 지침

**정의:** TTE = *Provox TruTone Emote*, TTP = *Provox TruTone Plus*, TTE/P = 둘 다 *Provox TruTone* 제품, STP = *Provox SolaTone Plus*

### 2.1 내용

#### 상자 내용물

- 전기후두기
- IFU - 사용 지침
- 구강 어댑터
- 구강관 버라이어티 팩
- 마이크로 USB 케이블
- 여분의 사운드 헤드(TTE/P)
- 2 AA NiMH 충전식 배터리(STP)
- 매는 밧줄

#### 부품 사양(그림 1)

- A. 사운드 헤드(x2 TTE/P)(x1 STP)(사운드 버튼 및 폼 링 포함)
- B. 사운드 헤드 스페이서(TTE/P)
- C. 전원 버튼(TTE/P의 Emotion™ 버튼)
- D. 음량 노브
- E. 본체
- F. 배터리
- G. 배터리 캡
- H. 배터리 커넥터(TTE/P)
- I. 구강 튜브(2 + 2)

- J. 구강 어댑터
- K. 음조(소리 높낮이) 조절 노브
- L. LED 표시등
- M. 모드 버튼(TTE/P)
- U. USB 먼지 덮개(TTE/P)
- V. USB 충전 잭

## 2.2 작동 안내

### 2.2.1 볼륨 레벨 및 전원

- 볼륨 노브(D)가 완전히 꺼져 있습니다.
- 장치를 켜고 볼륨 노브를 위쪽(D)으로 돌려 볼륨을 조정합니다.

### 2.2.2 톤 조정

- 톤 조정 노브(K)를 돌려 톤을 조정합니다.
- 차이점을 들으려면 초기 조정을 수행하는 동안 전원 버튼(C)을 길게 누릅니다.
- 전원 버튼(C)을 누르지 않고 톤 노브(K)를 사용하면 들리지 않고 톤이 변경됩니다.

### 2.2.3 모드 설정(TTE/P)

모드를 변경하려면 먼저 배터리 캡을 제거한 다음 모드 버튼(M)과 전원 버튼(C)을 동시에 누릅니다. 모드가 즉시 바뀝니다. 하지만 전원 버튼을 계속 누르고 있으면 새로운 모드 설정을 나타내는 신호음이 울립니다. 신호음의 횟수와 톤은 현재 설정된 모드를 나타냅니다.

Provox TruTone Emote(TTE)에는 1~6의 6가지 모드가 있으며 Provox TruTone Plus(TTP)에는 1~2의 2가지 모드가 있습니다.

**모드 1~4:** 4개의 사전 설정 범위.

모드 1 — 단음조에 가까움	신호음 1번
모드 2 — 낮은 음조 변화 — 1/2 옥타브 범위	신호음 2번
모드 3 — 중간 음조 변화	신호음 3번
모드 4 — 높은 음조 변화 — 2옥타브 범위	신호음 4번

**모드 5~6(TTE):** 음량 모드에서는 전원 버튼(C)으로 음조(K)가 아닌 음량을 조절할 수 있습니다. 이는 음조 조절을 사용하지 않는 사용자를 위한 기능이며, 노브를 움직이지 않고 음량 조절이 가능합니다. 살짝 건드리면 "속삭이는 목소리"가 나오고, 세게 누르면 최대 음량의 소리가 나옵니다. 음량 조절 노브는 여전히 최대 음량을 제한합니다. 이 모드들로 변경하면 지속적인 톤의 신호음이 아닌 "옴" 소리가 점점 높은 음조로 생성됩니다.

- 모드 5 — 저감도 — 세게 눌러야 최대 음량을 낼 수 있습니다. "와" 소리 2번
- 모드 6 — 고감도 — 약하게 눌러도 최대 음량을 낼 수 있습니다. "와" 소리 3번

### 2.2.4 사운드 헤드 선택

목 조직이 딱딱하거나 시끄러운 환경에 있는 경우, 그레이 사운드 헤드는 소리가 더 선명하기 때문에 사용할 수 있습니다. (2.3.2 사운드 헤드 교체 참조)

### 2.2.5 사운드 헤드 스페이서(B) - (TTE/P) 사용

정기적으로 더 높은 톤을 사용하고 사운드 헤드 스페이서가 없는 톤 품질을 선호하는 경우 제거할 수 있습니다. (2.3.3 사운드 헤드 스페이서 추가/제거 참조)

### 2.2.6 배터리 충전

- USB 먼지 덮개(U)를 위쪽 끝에서 당겨 빼냅니다. (TTE/P)
- 벽면 충전용으로 승인된 플러그를 사용하여 마이크로 USB를 USB 충전 잭(V)에 삽입합니다.
- LED 표시등(L)이 켜져 있는지 확인합니다.
- 절전을 위해 충전이 완료되면 장치의 플러그를 뽑으십시오. 80% 소모된 시점인 볼륨이 희미해질 때까지 사용하지 마십시오.



## LED 표시등(L)

- 배터리 부족(TTE/P) - 전원 버튼을 누르면 충전 시간이 가까워지면 표시등이 켜집니다.
- 충전 중 - 계속 켜져 있음
- 충전 완료 - 표시등 깜박임

### 2.2.7 전기후두기의 목 부위 배치

- 사운드 헤드(A)를 목 부위에 대고 전원 버튼을 누르십시오(C). 장치 또는 부속품의 일부를 기문에 삽입하지 마십시오.
- 소리가 입으로 전달되면 말을 하십시오. 역지로 공기를 배출하지 마십시오.
- 사운드 헤드와 목 사이에서 공기가 새지 않는지 확인하십시오.
- 최상의 소리를 얻을 때까지 다른 위치를 시도하십시오. 위치를 1/8"(3mm)만 변경하더라도 음량에 큰 영향을 줄 수 있으니 유의하십시오.
- 목을 통해 소리를 전달할 수 없거나 의학적 이유로 목에 장치를 놓을 수 없는 경우 볼 위치에 시도하거나 구강 어댑터를 사용하십시오(옵션 구강 어댑터/ 튜브 설치/사용 2.3.4 참조).
- 기본 음조를 위아래로 조절하면 더 좋은 음성을 낼 수 있습니다.
- 중음역은 대부분의 사람들이 더 쉽게 들을 수 있습니다.

### 2.2.8 구강 어댑터 및 구강 튜브 옵션

부드러운 목이나 과도한 왕왕거림으로 인해 목 위치가 적합하지 않은 경우 구강 어댑터를 사용할 수 있습니다. (구강 어댑터/튜브 2.3.4 설치/사용)

### 2.2.9 시연 시 사용 지침

#### 경고!

구강 어댑터와 구강 튜브, 사운드 헤드는 단일 환자용이며 환자 간에 재사용해서는 안 됩니다.

#### 주의!

유지 관리 지침에 따라 각 환자 및 시연 사용 후에 장치를 유지 관리하십시오.

- 시연용은 장치에 대한 환자의 적합성을 결정하기 위한 것입니다.
- 사용자는 손을 깨끗이 씻고 이소프로필 알코올(IPA) 또는 기타 적절한 소독제로 손을 소독하거나 장갑을 사용해야 합니다.
- 사운드 헤드(A)(사운드 버튼 및 폼 링 포함)는 교체하고 각 환자 사이에 폐기해야 합니다(2.3.2 사운드 헤드 교체).
- 장치는 2.3.1 장치 유지 관리에 따라 각 환자 전후에 닦아야 합니다.

## 2.3 유지 관리 및 부품 교체

### 2.3.1 장치 유지 관리

- 유지 관리 작업은 사용자의 책임입니다. 각 사용 후에 유지 관리를 수행해야 합니다.
- 깨끗하고 마른 천이나 필요한 경우 약간 축축한 천(물이 떨어지지 않는 천)으로 장치를 닦습니다. 순한 비누나 이소프로필알코올 50-75%를 섞은 물을 사용하십시오.
- 기기 내부에 습기가 들어가지 않도록 주의하세요.
- 전기 또는 스프레이 클리너를 사용하지 마십시오.

### 2.3.2 사운드 헤드 교체(그림 5)

사운드 헤드 교체는 현지 대리점에 문의하십시오.

1. 2.3.1에 따라 장치를 닦습니다. 유지 관리. 약간의 압력 가해 원을 그리거나 돌리면서 전원 버튼을 닦으십시오. 본체를 닦은 후 사운드 헤드 캡을 닦으십시오. 이때 상단 사운드 버튼이 빠질 정도로 과도한 압력을 가하지 않도록 주의하십시오.
2. 사운드 헤드를 돌려서 제거합니다.
3. 사운드 헤드 스페이서(B)가 계속 설치되어 있는지 확인하십시오. 새 사운드 헤드(A)(TTE/P)를 설치하기 전에 파손되었거나 없는 경우 교체하십시오(참조. 2.3.3 사운드 헤드 스페이서 추가/제거 참조)
4. 새 사운드 헤드(A)를 설치합니다.

**주의 사항:** 사운드 헤드 아래의 실리콘 다이어프램을 제거하지 마십시오. 실리콘 다이어프램은 코일/액추에이터 스템의 홈에 고정되어야 합니다. (그림 3)

**주의 사항:** 코일/액추에이터를 돌리지 마십시오 선은 코일/액추에이터 주위에 골고루 감겨 있어야 합니다. (그림 3)

### 2.3.3 사운드 헤드 스페이서 추가/제거(그림 2)

1. 사운드 헤드를 돌려서 여십시오.
2. 스페이서를 추가/제거합니다.
3. 사운드 헤드를 다시 돌려서 닫으십시오.
4. 음색을 들어보면서 장치를 테스트하십시오. 스페이서가 없는 상태의 음색을 선호하는 경우, 스페이서를 장치와 함께 제공된 상자와 같은 안전한 장소에 보관하십시오.

### 2.3.4 구강 어댑터/튜브 설치/사용(그림 3)

1. 구강 어댑터(J) 상단에 구강 튜브(I)를 삽입하십시오.

**주의 사항:** 구강 튜브를 끝까지 삽입하지 마십시오. 튜브가 캡 영역으로 돌출되지 않도록 하십시오.

2. 사운드 헤드(A) 위에 구강 어댑터를 놓으십시오.

**주의 사항:** 꼬지 마세요.

3. 입 모서리 부분을 통해 입 안에 구강 튜브를 넣으십시오.
4. 전기후두기를 작동하십시오. 구강 튜브 주위에서 말해보십시오.

### 2.3.5 배터리 교체

#### STP

1. 1.5V NiMH(Nickel Metal Hydride) 충전식 AA 건전지 2개.
- STP 내부에 있는 화살표를 따라 배터리(F)를 설치합니다(그림 1).

#### TTE/P:

- 승인된 리튬 이온 배터리만 사용하십시오. 자세한 내용은 유통 업체에 문의하십시오.
- 그림과 같이 배터리(F)를 장착하십시오(그림 1). 한 방향으로만 맞게 되어 있습니다. 배터리 커넥터(H) 정렬 탭은 위쪽을 가리키며 빨간색 선은 오른쪽을 가리킵니다. (그림 1)

## 2.4 트러블 슈팅 가이드

### 2.4.1 전화 사용 중 명료도가 만족스럽지 않음

1. 전화 마이크를 입 아래가 아니라 코 옆에 놓습니다. 이렇게 하면 기문과 전기후두기에서 마이크가 멀어집니다.
2. 전기후두기의 볼륨을 줄여서 볼륨 레벨이 가능한 한 조용하면서도 여전히 톤을 생성합니다.

### 2.4.2 장치 "작동 안 함", "고장" 또는 "방금 작동 중지"

1. 장치를 끄는 볼륨 노브(D)가 완전히 내려가 있지 않은지 확인하십시오.
2. 완전히 꺼질 때까지 볼륨 노브(D)를 돌리십시오.
3. 전원 버튼(C)을 살짝 누르십시오. 그리고 압력을 높입니다. 이 과정에서 장치가 활성화 및 비활성화되면 장치를 교체용으로 보내야 합니다. (2.5.1 서비스 및 지원 참조)
4. 전원 버튼(C)을 누를 때마다 LED가 켜지면 장치의 배터리가 부족하므로 충전해야 합니다. (TTE/P)
5. 전원이 공급되는 정상 작동이 확인된 마이크로 USB 케이블을 장치에 연결합니다. 장치의 전원이 켜지고 LED가 깜박이면 장치 배터리가 분리된 것입니다. 배터리 캡을 제거하고 배터리 케이블 커넥터(검은색과 빨간색 선이 가는 곳의 검은색 플라스틱)를 하우징에 더 밀어 넣습니다.

### 2.4.3 충전 중 충전 표시등(L)이 켜지지 않음

1. 램프로 전원 콘센트를 테스트합니다.
2. 마이크로 USB 케이블이 전원 공급 장치와 장치에 완전히 꽂혀 있는지 확인하십시오.
3. 다른 마이크로 USB 케이블을 사용해 보십시오.
4. 다른 전원 공급 장치(USB 전원 콘센트)를 사용해 보십시오.
5. 휴대폰 또는 기타 장치에서 충전기 및 케이블을 테스트합니다.

#### STP

6. 배터리(또는 배터리)가 충전 가능한지 확인하십시오.  
이 장치는 일회용 배터리를 충전하지 않습니다.
7. 배터리가 올바르게 삽입되었는지 확인하십시오. 배터리 +가 장치 +로 가는 방향으로 배터리가 올바른 방향인지 확인하십시오.

#### TTE/P:

8. 장치에 전원이 공급되는 정상 작동이 확인된 마이크로 USB 케이블을 연결하고 전원 버튼(C)을 활성화합니다. 장치의 전원이 켜지고 LED 표시등이 깜박이면 장치 배터리가 분리된 것입니다. 배터리 캡(G)을 제거하고 배터리 커넥터(H)를 하우징에 더 밀어 넣습니다.

### 2.4.4 장치가 "윙윙거리는 소리가 너무 많음", "재미있게 들림", "잘못된 소리" 또는 "명확하지 않음"

1. 사운드 헤드(A)가 목의 피부에 완전히 닿도록 하십시오.
2. 목의 다른 위치를 시도하십시오. (2.2.7 전기후두기의 목 부위 배치 참조)
3. 볼륨(D)을 줄입니다.
4. 톤(K)을 조정합니다.
5. 구강 어댑터를 사용합니다(구강 어댑터 및 구강 튜브 설치/사용 2.3.4 참조)
6. 캡을 검사합니다. 사운드 버튼이 헐거워 보이거나 약간 움직이거나 폼 링이 손상된 것 같으면 장치에 새 폼 링이 필요할 수 있습니다.
7. 사운드 헤드(A)를 제거하고 내부를 살펴봅니다.
  - 사운드 헤드(A) 중앙에 작은 고무 조각이 붙어 있습니까? 그렇지 않은 경우 장치에 교체용 사운드 버튼이 필요합니다. (2.5.1 서비스 및 지원 참조)
  - 다이어프램이 코일 포스트에 부착되어 있는지 확인하십시오. 코일을 만졌을 때 자유롭게 튀고 거친 느낌이 없는지 확인하십시오(그림 4).

#### TTE/P:

1. 추가 샤프 사운드 헤드(2.3.2 사운드 헤드 교체)를 사용해 보십시오(그림 5).

### 2.4.5 "사운드 헤드(A)가 분리됨" 또는 사운드 버튼이 캡에서 밀리는 경우

1. 폼 링이 손상되었는지 확인하십시오.
2. 손상되지 않은 경우 원래 폼 링을 재사용하고 다시 조립할 수 있습니다.
3. 손상된 경우 교체해야 합니다.

#### TTE/P:

버튼 센서의 감도가 너무 민감할 수 있습니다. 다른 모드(일반적으로 더 낮은 모드)를 시도합니다.

### 2.4.6 버튼 "스틱"

1. 일반 청소 지침을 읽으십시오(2.3.1 장치 유지 관리)
2. q팁이나 면봉에 권장 알코올을 소량 묻혀서(2.3.1 기기 관리) 전원 버튼 주변을 5~6회 청소한 후 전원 버튼을 5~6회 누릅니다.
3. 전원 버튼을 교대로 누르고 q팁 또는 면봉으로 버튼 주변을 청소합니다. 더 이상 달라 붙지 않을 때까지 계속하십시오.
4. 더 두꺼운 종이를 사용하여 전원 버튼 틈에 끼어 있는 이물질을 제거합니다.

### 2.4.7 불안정한 톤(TTE/P)

감도가 낮은 모드를 사용해 보십시오. (2.2.3 모드 설정 참조).

### 2.4.8 불안정한 음량(TTE/P)

음량 모드가 아닌 모드를 시도해 보십시오. (2.2.3 모드 설정 참조).

### 2.4.9 라디오 또는 TV 수신에 간섭을 일으키는 장치

1. 수신 안테나의 방향이나 위치를 변경하십시오.
2. 장비와 수신기 사이의 간격을 넓히십시오.
3. 수신기가 연결된 것과 다른 회로의 콘센트에 장비를 연결하십시오.
4. 대리점 또는 숙련된 라디오/TV 기술자에게 도움을 요청하십시오.

## 2.5 서비스

### 2.5.1 서비스 및 지원

전기후두기에는 환자가 제거할 수 있는 부품 이외의 서비스 가능한 부품이 포함되어 있지 않습니다. 서비스 부품에는 배터리, 사운드 헤드, 사운드 헤드 스페이서, 폼 링, 구강 어댑터 및 구강 튜브가 포함됩니다. 전기후두기의 사용 또는 유지 관리에 도움이 필요하거나 사용 가능한 부품을 주문하려면 현지 담당자에게 문의하십시오.

## 2.6 폐기

사용한 의료 장치를 폐기할 때는 항상 위험 물질에 관한 의료계 관행과 국가별 요구 사항을 따르십시오.

## 2.7 보고

장치와 관련하여 발생한 심각한 사고는 제조업체와 사용자 및/또는 환자가 거주하는 국가의 국가 기관에 신고해야 합니다.

# 3. 기술 사양

설명	사양
작동 온도(최적의 배터리 수명 유지)	+5°C ~ +25°C +41°F ~ +77°F
보관 및 운송 온도(최적의 배터리 수명을 유지하기 위해)	-20°C ~ +25°C -4°F ~ +77°F
작동 습도(최적의 배터리 수명을 유지하기 위해)	15% ~ 93% 상대 습도, 700hPa ~ 1060hPa
보관 습도	0% ~ 45% 상대 습도
예상 작동 수명	1~5년
적용 부품	BF형 적용 부품(전체 장치)
작동 모드	24시간 동안 30분 작동
전원	내부 전원 공급
치수	Provox SolaTone Plus 118mm (4.6인치); Provox TruTone Emote 113mm (4.5인치); Provox TruTone Plus 113mm (4.5인치)

설명	사양
중량	Provox SolaTone Plus 130g (0.29파운드); Provox TruTone Emote 130g (0.29파운드); Provox TruTone Plus 131g (0.29파운드)
충전 사양	5V, 750mA 최소(또는 0.75A 최소)

#### 4. 규제 준수

장치는 테스트를 거쳤으며 IEC 60601-1-2를 준수하며 국내 환경에 대해 채택된 테스트 수준입니다.

## 1. 說明資訊

### 1.1 用途

電子發聲器是採用電池供電的外部人工咽喉，旨在協助無法使用咽喉能力而無法產生聲音的患者講話。此裝置放在喉頭區域的皮膚上，或將連接管插入口腔中（搭配口腔轉接器）時，此裝置會產生機械振動，在口腔和鼻腔中產生共振，並由使用者以正常講話方式透過舌頭和嘴唇加以調節，從而產生聲音。

### 1.2 禁忌症

使用本裝置應按照使用說明。身體、認知或精神能力無法自行操作本裝置的患者，除非有醫生或經訓練的照護人員提供充分監督，否則不得獨自使用本裝置。本裝置不得直接施用於血管較脆弱的頸部組織。這會導致組織損傷或出血。該類患者僅能在醫生特定指導過如何使用該裝置並且放置在安全的位置來使用。

### 1.3 裝置說明

電子發聲器是採用電池供電的外部人工咽喉，可放置在未受損的皮膚上，旨在協助缺少咽喉或無法使用咽喉能力而無法產生聲音的患者講話。

### 1.4 警告

- 未依照安全指示可能會導致人身傷害或損壞裝置。使用裝置前，請閱讀以下所有安全資訊。
- 未正確使用裝置或未依照該 IFU 中的指示可能會導致人身傷害和 / 或損壞裝置。
- 該裝置請勿使用於不同人之間，否則會造成交叉污染。此裝置僅適用於單一患者。
- 如果裝置暴露於水中或掉入水或其他液體中，請勿打開它或使用它或為它充電，這樣可能會導致人身傷害和 / 或損壞裝置。
- 充電前請檢查充電器是否損壞。損壞或無法正常作用的充電器不得再使用，因為它可能會導致火災、人身傷害或損壞裝置。
- 僅能使用獲核准許可的充電器，因為使用未經核准許可的充電器可能會導致火災、人身傷害或裝置損壞。
- 請勿嘗試為不可充電的電池充電，這樣可能會導致人身傷害或損壞裝置。
- 請勿將可充電電池更換為不可充電電池，因為這可能會導致人身傷害或損壞裝置。
- 請勿破壞電池，因為這可能會導致人身傷害或損壞裝置。
- 請勿將電池放在口袋、錢包、盒子或抽屜裡等，因為電池之間可能會相互造成短路，或因硬幣或鑰匙等導電物體而造成短路，這樣可能會導致人身傷害或損壞裝置。
- 請勿使用滲漏的電池，因為這可能會導致人身傷害或損壞裝置。
- 請勿將鋰電池暴露在標籤所指定的溫度範圍以外，因為這可能會導致人身傷害或損壞裝置。
- 更換電池時請小心謹慎。電池安裝不當時可能會導致危險情況，例如過熱或火災，這可能會導致人身傷害或損壞設備裝置或其他財產。

- 該裝置包含會產生磁場和電磁場的磁鐵，可能會干擾心律調節器或其他植入式裝置，與及某些手術或治療。該裝置和醫療植入裝置之間至少距離 15 公分 (6 英吋)。接受任何醫療手術或治療前，請先諮詢醫生。如果該裝置和任何醫療植入裝置之間疑似互相干擾，請停止使用並向諮詢醫生。
- 請勿將裝置或配件的任何部分插入氣切口，因為這可能會導致人身傷害。
- 請勿改裝裝置，因為這可能會導致人身傷害或損壞裝置。
- 該裝置含有可能脫落並造成窒息危險的細小零件。請勿讓幼童接近及使用。

## 1.5 注意事項

- 打開 / 關閉電池蓋時，請注意不要損壞電池接線。
- 未依照維護指示可能會導致人身傷害和 / 或損壞裝置。
- 切勿使用破損、改裝或變更後的裝置；或對破損、改裝或變更後的裝置進行充電，因為這可能會導致人身傷害和/或損壞裝置。
- 充電時，裝置與電池都可能會發熱 (可高達 45°C/113°F)。使用前先讓裝置冷卻。
- 裝置在使用過程中可能會發熱。放置於脖子上使用時需採取必要的預防措施。
- 大量使用時，振動會讓敏感型使用者感到不適。
- 由於其他裝置的電磁場干擾，裝置可能會發生故障或停止作用。
- 注意不要咀嚼 / 咬住口腔管，因為它可能導致牙齒損傷。
- 小心不要讓裝置掉落，這可能會造成裝置損壞。
- 對於有肩部功能障礙的人士，該裝置可能會導致肩部 / 手臂感到負荷和疲勞感。

## 2. 使用說明

**定義:** TTE = *Provox TruTone Emote*, TTP = *Provox TruTone Plus*, TTE/P = 兩項 *Provox TruTone* 產品, STP = *Provox SolaTone Plus*

### 2.1 內容物

#### 盒子內容物

- 電子發聲器
- IFU - 使用說明
- 口腔轉接器
- 口腔管各種包裝
- 微型 USB 連接線
- 超銳利傳聲頭 (TTE/P)
- 2個 AA 鎳金屬氫化物可充電電池 (STP)
- 掛繩

#### 元件規格 (圖示 1)

- 傳聲頭 (x2 TTE/P) (x1 STP) (包含聲音按鈕和海綿環)
- 傳聲頭墊片 (TTE/P)
- 電源按鈕 (TTE/P 的 Emotion™ 按鈕)
- 音量旋鈕
- 機身
- 電池
- 電池蓋
- 電池連接器 (TTE/P)

- I. 口腔連接管 (2 + 2)
- J. 口腔轉接器
- K. 音調 (音高) 調整旋鈕
- L. LED 指示燈
- M. 模式按鈕 (TTE/P)
- U. USB 防塵罩 (TTE/P)
- V. USB 充電插孔

## 2.2 操作說明

### 2.2.1 音量和電源

- 音量旋鈕 (D) 持續向下轉為關閉。
- 打開裝置，並向上轉動音量旋鈕 (D) 以調節音量。

### 2.2.2 調整音調

- 利用轉動音調調整旋鈕 (K) 以調整音調。
- 在進行初始調整時按住電源按鈕 (C) 可聽到差異。
- 使用音調旋鈕 (K) 而不按住電源按鈕 (C) 仍可改變音調，但無法聽到它的變化。

### 2.2.3 設定模式 (TTE/P)

更改模式時，請先取下電池蓋，然後同時按下模式按鈕 (M) 和電源按鈕 (C)。按壓後會立即變更模式，但如果繼續按住電源按鈕，裝置會發出嗶嗶聲，顯示新的模式設定。從嗶嗶聲發出的次數與音調，就能判斷裝置當下使用的模式。

Provox TruTone Emote (TTE) 擁有六種模式 1-6，Provox TruTone Plus (TTP) 則擁有兩種模式 1-2。

#### 模式 1-4：四種預設範圍。

模式 1 – 接近單音調	1 次嗶嗶聲
模式 2 – 低音調變異 – 1/2 個八度音域	2 次嗶嗶聲
模式 3 – 中音調變異	3 次嗶嗶聲
模式 4 – 高音調變異 – 2 個八度音域	4 次嗶嗶聲

**模式 5-6 (TTE)：**音量模式讓您可使用電源按鈕 (C) 而非音調旋鈕 (K) 來控制音量。此功能專為不使用音調控制鈕而設，不必轉動旋鈕即可控制音量。只要輕輕觸碰，就能用「輕聲」說話；如果您大力按下電源按鈕，就能發出最大音量。最大音量仍受音量控制旋鈕限制。切換到這些模式後，裝置會出現「呼呼」聲 (且音調越來越高)，而非音調平穩的嗶嗶聲。

模式 5 – 低靈敏度 – 需大力施壓才能發出最大音量。	2「呼呼」
模式 6 – 高靈敏度 – 稍微施壓就能發出最大音量。	3「呼呼」

### 2.2.4 選擇傳聲頭

如果您有堅硬的頸部組織或處於嘈雜的環境中。可以使用灰色傳聲頭，因為它的聲音較清晰。(參閱 2.3.2 更換傳聲頭)

### 2.2.5 使用傳聲頭墊片 (B) - (TTE/P)

如果您經常使用較高的音調，並且偏好沒有傳聲頭墊片的音調品質，則可以將之移除。(請參閱 2.3.3 添加 / 移除傳聲頭墊片)



## 2.2.6 電池充電

- 從頂端拉出 USB 防塵蓋 (U)。(TTE/P)
- 將微型 USB 插入 USB 充電插孔 (V)。使用核准許可的插頭進行插牆式充電。
- 檢查 LED 指示燈 (L) 是否亮起。
- 充電完成後，請拔掉插頭以節省電力。使用時，若音量開始變小，表示已消耗 80% 電力。

### 指示燈 (L)

- 低電池電量 (TTE/P) - 當您按下電源按鈕時，指示燈亮起，則表示需要充電。
- 充電 - 燈光穩定不閃爍
- 完成充電 - 指示燈閃爍

## 2.2.7 電子發聲器頸部放置方式

- 將傳聲頭 (A) 靠在頸部並啟動電源 (C)。請勿將該裝置的任何部分或任何配件插入氣切口。
- 像一般講話的方式般說話。請勿刻意送氣。
- 確認傳聲頭和頸部之間保持完全密合。
- 嘗試不同擺放位置，找到您能發出最佳音質的方式。注意即便只是 3 毫米 (1/8 英吋) 也能造成音量極大差異。
- 如果您無法通透過頸部達到聲音傳輸，或者由於醫療上的原因無法將裝置放置脖子上，請嘗試放置在臉頰或使用口腔轉接器 (請參閱安裝 / 使用選配的口腔轉接器 / 管 2.3.4)。
- 將基礎音調調高或調低，或許能發出更好的音質。
- 多數人比較容易聽懂中音音調。

## 2.2.8 選用口腔轉接器和口腔連接管

如果由於頸部觸痛或過度嗡嗡聲而不適合您，則可以使用口腔轉接器。(安裝 / 使用口腔轉接器 / 管 2.3.4)

## 2.2.9 示範使用指引

### 警告!

口腔轉接器和傳聲頭僅供單一患者使用，且切勿與其他患者重複使用。

### 預防措施!

在每位患者使用後按照維護指示來進行維護，並演示如何使用。

- 演示使用旨在確定患者對設裝置的適用性。
- 患者應使用異丙醇 (IPA) 或其他適用的消毒劑或使用手套來清潔並消毒雙手。
- 每個患者之間應更換並丟棄傳聲頭 (A) (包括聲音按鈕和海綿環) (2.3.2 更換傳聲頭)。
- 裝置應在每位患者使用之前和之後依照 2.3.1 裝置維護將之擦拭乾淨。

## 2.3 維護和元件更換

### 2.3.1 裝置維護

- 裝置維護由使用者負責。每次使用後應進行維護。
- 用乾淨的乾布擦拭設裝置，如有必要，用稍微濕潤的布擦拭 (不要滴水弄濕)。使用含溫和肥皂或 50-75% 異丙基醇的水。
- 注意不要將裝置內部弄濕。
- 請勿使用電動或噴霧清潔劑。

### 2.3.2 更換傳聲頭 (圖示 5)

請聯絡您當地的代表，以更換傳聲頭。

1. 根據 2.3.1 擦拭設備。維護。確認輕壓電源按鈕並以圓圈轉圈或扭動方式移動擦拭。擦拭機身後，擦拭傳聲頭蓋，小心不要施加過多力氣，以免造成頂部聲音按鈕掉落。
2. 旋開以卸除傳聲頭。
3. 確認仍裝有傳聲頭墊片 (B)。如果傳聲頭損壞或遺失，請在安裝新的傳聲頭 (A) (TTE/P) 之前更換它 (請參閱 2.3.3 添加 / 移除傳聲頭墊片)。
4. 安裝新的傳聲頭 (A)。

**預防措施:** 請不要卸除傳聲頭下方的矽膠振膜。矽膠振膜應保留在線圈/傳動器桿的溝槽中。(圖示 3)

**預防措施:** 請不要扭轉線圈 / 傳動器。電線應順暢環繞在線圈/傳動器上。(圖示 3)

### 2.3.3 添加 / 移除傳聲頭墊片 (圖示 2)

1. 扭開傳聲頭。
2. 添加 / 移除墊片。
3. 扭回傳聲頭。
4. 試著使用裝置，聽聽音質。如果您比較喜歡卸除墊片後的音質，請務必將墊片存放在安全的地方，例如產品包裝盒。

### 2.3.4 安裝 / 使用口腔轉接器 / 管 (圖示 3)

1. 將口腔連接管 (I) 插入口腔轉接器 (J) 頂部。

**預防措施:** 請勿於碰到底後繼續插入口腔連接管。確定連接管未伸入傳聲頭蓋。

2. 將口腔轉接器擺放在傳聲頭 (A) 上。

**預防措施:** 不要轉緊它。

3. 將口腔連接管從嘴角放入口中。
4. 啟動電子發聲器。含著口腔連接管說話。

### 2.3.5 電池充電

#### STP

兩個 1.5V 鎳金屬氫化物 (NiMH) 充電式 AA 電池。

- 按照 STP 內部的箭頭安裝電池 (F) (圖示 1)

#### TTE/P:

僅限使用許可的鋰離子電池。請聯絡經銷商以瞭解詳細資訊。

- 如圖所示安裝電池 (F) (圖示 1)；安裝方式只有一種。電池連接器 (H) 對齊標籤指向上方，紅線指向右側。(圖示 1)

## 2.4 故障排除指南

### 2.4.1 使用電話時沒有好的清晰度

1. 將電話麥克風放在鼻子旁邊，而不是嘴巴下面。這將使麥克風遠離氣切口和電子發聲器。
2. 降低電子發聲器的音量，使音量盡可能地安靜，同時仍然產生音調。

### 2.4.2 設備「完全失效」、「損壞」或「剛剛停止作用」

1. 確認音量旋鈕 (D) 未完全向下轉向以關閉裝置。
2. 將音量旋鈕 (D) 持續向下轉為關閉。

3. 輕輕按下電源按鈕 (C) 並增加按壓壓力。如果裝置在此過程中啟動並停用，則需要將裝置送去更換。(參閱 2.5.1 服務與協助)
4. 如果每次按下電源按鈕 (C) 時 LED 燈亮起，則表示裝置電池電量不足，需要充電。(TTE/P)
5. 將良好可用的通電微型 USB 連接線插入裝置。如果裝置通電且 LED 燈閃爍，則表示裝置電池未充電。卸下電池蓋，然後將電池連接線接頭 (黑色和紅色電線所在的黑色塑膠處) 進一步壓入內部。

#### 2.4.3 充電時充電指示燈 (L) 不會亮

1. 用燈測試電源插座。
2. 確認微型 USB 連接線已完全插入電源和裝置。
3. 試著使用其他微型 USB 連接線。
4. 試著使用不同的電源供應器 (微型 USB 連接線)。
5. 測試手機或其他裝置上的充電器和連接線。

#### STP

6. 確認電池 (或電池) 為可充電。  
裝置不能為不可充電電池來充電。
7. 確認電池已正確插入。檢查以確保電池的方向正確，電池 + 指向到裝置 +。

#### TTE/P:

8. 將良好可用的微型 USB 連接線插入裝置並啟動電源按鈕 (C)，如果設置通電且 LED 燈閃爍，則裝置電池未充電。卸下電池蓋 (G)，然後將電池接頭 (H) 進一步壓入內部。

#### 2.4.4 組件「太多嗡嗡聲」「聽起來很好笑」，「悶悶的」或「不清析」

1. 確保傳聲頭 (A) 與頸部皮膚完全接觸。
2. 嘗試放在脖子上另一個位置。(請參閱 2.2.7 電子發聲器頸部放置方式)
3. 降低音量 (D)。
4. 調整音調 (K)。
5. 使用口腔轉接器 (參閱安裝 / 使用口腔轉接器和口腔管 2.3.4)
6. 檢查蓋子。如果聲音按鈕似乎鬆動或略有移動，或者泡沫環似乎已損壞，則裝置可能需要新的泡沫環。
7. 取下傳聲頭 (A) 並查看內部。
  - 在傳聲頭 (A) 的中心是否有一個小橡膠片粘合到位？如果沒有，則裝置需要更換聲音按鈕。(參閱 2.5.1 服務與協助)
  - 確認膜片連接到線圈的位置上。確認線圈在觸摸時會自由反彈，並且沒有任何砂礫感 (圖示 4)

#### TTE/P:

1. 嘗試使用選配的超銳利傳聲頭 (2.3.2 更換傳聲頭) (圖示 5)

#### 2.4.5 「傳聲頭 (A) 分離」或聲音按鈕 已從蓋子中被推出

1. 檢查泡沫環是否損壞。
2. 如果原裝泡沫環未損壞，可重複使用並將之重新組裝在一起。
3. 如果損壞，則需要更換。

#### TTE/P:

按鈕感測器的靈敏度可能過度靈敏。嘗試不同的模式，一般使用將減低模式。

#### 2.4.6 按鈕「沾黏」

1. 閱讀一般清潔建議 (2.3.1 裝置維護)
2. 使用 q-tip 或棉布與少量建議的酒精 (2.3.1 裝置的維護) 來清潔電源按鈕周圍 5-6 次，然後按電源按鈕 5-6 次。

3. 交替按下電源按鈕並利用 q-tip 或棉布清潔按鈕周圍。繼續清潔，直到不再有沾黏感。

4. 使用較厚的紙張清除卡在電源按鈕縫隙中的碎屑。

#### 2.4.7 音調不穩定 (TTE/P)

嘗試低敏感度的模式。(參閱 2.2.3 設定模式)

#### 2.4.8 音調不穩定 (TTE/P)

改為使用音量模式以外的其他模式。(參閱 2.2.3 設定模式)

#### 2.4.9 對無線電或電視接收造成干擾的組件

1. 重新調整接收天線的方向或位置。
2. 增加設備和接收器之間的距離。
3. 將裝置連接到與接收器電路不同的插座上。
4. 請洽詢經銷商或有經驗的無線電/電視技師尋求協助。

### 2.5 服務

#### 2.5.1 服務與協助

除了患者可卸除的部分外，電子發聲器不包含任何可維修零件。維修零件包含電池、傳聲頭、傳聲頭墊片、海綿環、口腔轉接器和口腔連接管。請聯絡您當地的代表，以協助使用或維護電子發聲器以及訂購可用零件的協助。

### 2.6 廢棄物

丟棄使用過後的醫療裝置時，請遵照生物危害相關醫療實踐與國家規範。

### 2.7 報告

請注意，任何與裝置相關的嚴重事件，均應回報給使用者和/或患者所在國家/地區的製造商和國家主管部門。

## 3. 技術規格

說明	規格
操作溫度 (維持電池適當壽命)	+5°C 至 +25°C +41°F 至 +77°F
儲存及運送溫度 (維持電池適當壽命)	-20°C 至 +25°C -4°F 至 +77°F
操作濕度 (維持電池適當壽命)	相對濕度 15% 至 93%， 700 百帕至 1,060 百帕
存儲濕度	0% 至 45% 相對濕度
預估使用壽命	1-5 年
應用元件	BF 型應用元件 (整個裝置)
操作模式	24 小時期間內啟動 30 分鐘
電源	內部供電

說明	規格
尺寸	Provox SolaTone Plus 118 毫米 (4.6 英吋)； Provox TruTone Emote 113 毫米 (4.5 英吋)； Provox TruTone Plus 113 毫米 (4.5 英吋)。
重量	Provox SolaTone Plus 130 克 (0.29 磅)； Provox TruTone Emote 130 克 (0.29 磅)； Provox TruTone Plus 131 克 (0.29 磅)
充電規格	最低 5 伏特、750 毫安培 (或最低 0.75 安培)。

## 4. 合規

設備經過測試，符合 IEC 60601-1-2 標準，測試水準適用於國內環境。

## 1. 描述性信息

### 1.1 预期用途

电子喉是一种采用电池供电的外用人工喉，用于帮助不能利用喉部发出声音的患者发出声音。使用该设备时，患者需要将其贴紧喉头区域的皮肤，或者在口腔中插入一根导管（配合口腔适配器使用）。使用期间，该设备将产生机械振动，而这种机械振动会在患者口腔和鼻腔中共振，并可通过舌头和嘴唇以正常方式进行调节，从而帮助患者发出声音。

### 1.2 禁忌症

使用此设备必须遵守使用说明书。如用户无法同时满足操作此设备所要求的生理、认知或心理能力要求，则不应独立使用设备，必须在医生或受过训练的护理人员的合理监督下使用。该设备不应直接应用于脆弱的颈部组织，因为此处血管薄弱。否则可能导致组织损伤或出血。该类患者必须经其医生明确指导该设备的使用方法和将设备放置在安全的位置进行使用。

### 1.3 设备说明

电子喉是一种采用电池供电的外用人工喉，可将其外加在未受损的皮肤上，用于帮助缺失喉部或喉不能发出声音的患者发出声音。

### 1.4 警告

- 不遵守安全说明可能导致人身伤害或设备损坏。在使用设备前，请阅读以下所有安全信息。
- 未正确地使用设备或不遵守本 IFU（使用说明书）中的说明可能导致人身伤害和/或设备损坏。
- 请勿在不同人员间使用该设备，否则可能导致交叉污染。本设备仅供单一患者使用。
- 对暴露于水或其他液体的设备，请勿打开、使用或对其进行充电，否则可能导致人身伤害和/或设备损坏。
- 充电前请检查充电器是否损坏。不得继续使用损坏或无法工作的充电器，否则可能导致火灾、人身伤害或设备损坏。
- 仅可使用获批充电器，使用未经批准的充电器可能会导致火灾、人身伤害或设备损坏。
- 请勿尝试对不可充电的电池进行充电，否则可能导致人身伤害或设备损坏。
- 请勿将可充电电池更换为不可充电电池，否则可能导致人身伤害或设备损坏。
- 请勿以物理方式损毁电池，否则可能导致人身伤害或设备损坏。
- 请勿将电池储存在口袋、钱包、盒子或抽屉等中，否则可能会相互短路或因导电材料（如硬币或钥匙）短路，从而可能导致人身伤害或设备损坏。
- 请勿使用泄漏电池，否则可能导致人身伤害或设备损坏。
- 请勿将锂电池暴露于标签规定温度范围外的温度下，否则可能会导致人身伤害或设备损坏。
- 更换电池时请小心操作。电池安装不正确可能会导致危险，例如过热或火灾，从而可能会导致人身伤害或设备损坏或其他财产损失。
- 该设备含有磁铁，会产生磁场和电磁场，可能会对起搏器或其他植入设备以及某些程序或治疗方法造成干扰。在该设备与任何医疗植入设备之间保持至少 6 英寸/15 cm 的距离。在进行任何医疗手术或治疗前，请咨询医生。如果怀疑设备与任何医疗植入设备之间存在干扰，请停止使用并咨询医生。
- 请勿将本设备的任何部分或配件插入造口，否则可能导致人身伤害。
- 请勿对设备进行改装，否则可能导致人身伤害或设备损坏。
- 该设备包含可能松脱并导致窒息危险的小部件。请勿让儿童接触。

## 1.5 注意事项

- 打开/关闭电池盖时, 请注意不要损坏电池接线。
- 不遵守维护说明可能导致人身伤害和/或设备损坏。
- 切勿使用已破损、经改装或已改变的设备; 或对已破损、经改装或已改变的设备进行充电, 否则可能导致人身伤害和/或设备损坏。
- 充电过程中设备和电池可能会发热(最高可达 45°C/113°F)。使用前冷却设备。
- 设备在使用过程中可能变热。放置在颈部使用时请采取必要的预防措施。
- 过度使用时, 振动可能会使一些较为敏感的用户感到不适。
- 设备可能会因其他设备的电磁场干扰而发生故障或停止工作。
- 注意请勿咀嚼/咬住口腔管, 否则可能会导致牙齿损伤。
- 小心操作, 避免设备掉落, 否则可能导致设备损坏。
- 对于出现肩关节功能障碍的患者, 该设备可能会导致肩部/手臂出现劳力感和感到疲劳。

## 2. 使用说明书

**定义:** TTE = *Provox TruTone Emote*, TTP = *Provox TruTone Plus*,  
TTE/P = 两款 *Provox TruTone* 产品, STP = *Provox SolaTone Plus*

### 2.1 内容

#### 包装盒内容物

- 电子喉
- IFU — 使用说明书
- 口腔适配器
- 口腔管类型包
- 微型 USB 电缆
- 超锐利发音头 (TTE/P)
- 两颗镍氢 (NiMH) 可充电 AA 电池 (STP)
- 挂绳

#### 部件规格(插图 1)

- A. 发音头(x2 TTE/P) (x1 STP) (包括发音按钮和泡沫环)
- B. 发音头垫片 (TTE/P)
- C. 电源按钮 (TTE/P 中的 Emotion™ 按钮)
- D. 音量旋钮
- E. 机身
- F. 电池
- G. 电池盖
- H. 电池连接器 (TTE/P)
- I. 口腔管 (2 + 2)
- J. 口腔适配器
- K. 音调 (音高) 调节旋钮
- L. LED 指示灯
- M. 模式按钮 (TTE/P)
- U. USB 防尘盖 (TTE/P)
- V. USB 充电接口

### 2.2 操作说明

#### 2.2.1 音量和电源

- 音量旋钮 (D) 一直向下为关闭。
- 打开设备, 通过向上旋转音量旋钮 (D) 调节音量。

## 2.2.2 调节音调

- 通过旋转音调调节旋钮 (K) 调节音调。
- 在进行初始调节时, 按住电源按钮 (C), 以便听到差异。
- 在不按住电源按钮 (C) 的情况下, 使用音调旋钮 (K) 仍会更改音调, 但无法听到差异。

## 2.2.3 设置模式 (TTE/P)

若要变更模式, 首先应取下电池盖, 然后同时按下模式按钮 (M) 和电源按钮 (C)。模式将立即更改, 但如果您继续按住电源按钮, 设备将发出哔哔声以指示新的模式设置。哔哔声的次数和音调可指示设备应用的模式。

Provox TruTone Emote (TTE) 提供六种模式 1-6, 而 Provox TruTone Plus (TTP) 提供两种模式 1-2。

**模式 1-4:** 四个预设范围。

模式 1 — 接近单音调	1 声哔哔声
模式 2 — 音调变化少 — 音域为 1/2 个八度	2 声哔哔声
模式 3 — 音调变化中等	3 声哔哔声
模式 4 — 音调变化大 — 音域为 2 个八度	4 声哔哔声

**模式 5-6 (TTE):** 音量模式让您可以使用电源按钮 (C) 来控制音量而非音调 (K)。对于不使用音调控制的用户来说, 这一功能让他们无需转动旋钮即可进行音量控制。轻轻触碰可以让您“低声”说话, 而用力按压则会发出最大音量的声音。最大音量仍取决于音量控制旋钮的设置。更改到这些模式时, 设备会发出“呜噗声” (音调上扬), 而不是稳定音调的哔哔声。

模式 5 — 低灵敏度, 大力按压才能达到最大音量。	2 声“呜噗声”
模式 6 — 高灵敏度, 轻轻按压即可达到最大音量。	3 声“呜噗声”

## 2.2.4 选择发音头

如果您颈部组织较硬或处于较大声的环境中。可以使用灰色发音头, 因为它的声音较为尖锐。(参见 2.3.2 更换发音头)

## 2.2.5 使用发音头垫片 (B) — (TTE/P)

如果您经常使用较高的音调, 并偏好没有发音头垫片的音调品质, 您可以取下它。(参见 2.3.3 添加/取下发音头垫片)。

## 2.2.6 电池充电

- 从顶端拉出 USB 防尘盖 (U)。(TTE/P)
- 将微型 USB 插入 USB 充电插孔 (V), 使用获准用于墙壁充电的插头。
- 检查 LED 指示灯 (L) 是否亮起。
- 请在充电完成后拔下电源插头以节省电能。在使用期间, 若发现音量开始降低, 即表示已消耗 80% 电量。

## LED 指示灯 (L)

- 电池电量低 (TTE/P) — 当您按下电源按钮时, 指示灯亮起, 提示需要充电。
- 充电 — 常亮灯
- 完成充电 — 闪烁灯

## 2.2.7 将电子喉紧贴颈部

- 将发音头 (A) 放在颈部并激活电源按钮 (C)。请勿将设备的任何部分或任何配件插入造口。
- 当声音传送到口腔时开口说话。不要用力吐气。
- 确保发音头紧贴颈部皮肤。



- 尝试不同的位置,直到获得最理想的声音。请注意,即使 3 mm/1/8" 的位置变化也会对音量产生很大影响。
- 如果您无法实现通过颈部的声音传输或由于医疗原因无法将设备置于颈部,请尝试放置于脸颊或使用口腔适配器(参见安装/使用可选的口腔适配器/口腔管 2.3.4)。
- 向上或向下调节基础音调可以产生更理想的声音。
- 对于大多数用户来说,中音域音调更容易听懂。

### 2.2.8 可选的口腔适配器和口腔管

如果由于颈部压痛或杂音过大,导致颈部放置不适合您,您可以使用口腔适配器。(安装/使用口腔适配器/口腔管 2.3.4)

### 2.2.9 使用验证指南

#### **警告!**

口腔适配器、口腔管和发音头仅供单个患者使用,不得在患者之间重复使用。

#### **注意事项!**

根据维护说明,在每名患者和使用验证后对设备进行维护。

- 使用验证旨在确定患者是否适合该设备。
- 用户应洗手并用异丙醇 (IPA) 或其他合适的消毒剂进行消毒,或使用手套。
- 应在每位患者之间更换并丢弃发音头 (A) (包括发音按钮和泡沫环) (2.3.2 更换发音头)。
- 按照 2.3.1 设备维护,在每位患者使用前后都应将设备擦拭干净。

## 2.3 维护和部件更换

### 2.3.1 设备维护

- 维护活动由用户负责。每次使用后应进行维护。
- 用干净的干布擦拭设备,或必要时用略湿的布(不要滴湿)擦拭设备。使用带有温和肥皂的水或 50-75% 异丙醇。
- 小心操作,避免设备内有水分。
- 请勿使用电气或喷淋清洁剂。

### 2.3.2 更换发音头(插图 5)

请与您当地的代表联系以更换发音头。

1. 按照 2.3.1 维护擦拭设备。确保轻轻用力,并以圆周或转动的方式擦拭电源按钮。依次擦拭主体和发音头盖,注意不要施加过大的压力,以免导致顶部发音按钮脱落。
2. 拧松发音头,将其取下。
3. 确保不要取下发音头垫片(B)。如果在安装新的发音头(A)(TTE/P)之前发音头垫片破损或丢失,请进行更换(参见2.3.3 添加/取下发音头垫片)。
4. 安装一个新发音头(A)。

**注意事项:**请勿取下发音头下方的硅胶膜片。该硅胶膜片应保留在线圈/执行器输出杆上的凹槽中。(插图 3)

**注意事项:**请勿扭结线圈/执行器。电线应平整地缠绕在线圈/执行器周围。(插图 3)

### 2.3.3 添加/取下发音头垫片(插图 2)

1. 拧下发音头。
2. 添加/取下垫片。
3. 重新拧上发音头。
4. 测试设备, 听听音质。如果您喜欢没有垫片时的音质, 确保妥善保管垫片, 例如将其存放在设备附带的盒子中。

### 2.3.4 安装/使用口腔适配器/口腔管(插图 3)

1. 将口腔管 (I) 插入口腔适配器 (J) 的顶部。

**注意事项:** 插入口腔管时不要超过停止点。确保口腔管没有过度伸到发音头盖以下。

2. 将口腔适配器装到发音头 (A) 上。

**注意事项:** 请勿拧转。

3. 将口腔管放入口腔, 置于嘴角位置。
4. 激活电子喉。在口腔管附近讲话。

### 2.3.5 电池充电

#### STP

两颗 1.5V 镍氢 (NiMH) 可充电 AA 电池。

- 按照 STP 内部箭头安装电池 (F) (插图 1)

#### TTE/P:

仅使用经认可的锂离子电池。请与经销商联系以获取更多信息。

- 如图所示(插图 1) 安装电池 (F); 只能按一个方向装入。电池连接器 (H) 对准标签朝上, 红线在右侧。(插图 1)

## 2.4 故障排除指南

### 2.4.1 打电话期间的可懂度未达到满意程度

1. 将电话麦克风放在鼻子旁边, 不要放在嘴巴下面。否则会使麦克风远离造口和电子发声器。
2. 减小电子喉的音量, 使音量尽可能安静, 同时仍能发出音调。

### 2.4.2 设备“无反应”、“损坏”或“停止工作”

1. 确保未一直向下转动音量旋钮 (D), 该操作会关闭设备。
2. 转动音量旋钮 (D) 一直向下进行关闭。
3. 轻轻按下电源按钮 (C) 并增加压力。如果在该过程中激活和取消激活该设备, 则需要将该设备送去进行更换。(参见 2.5.1 服务与帮助)
4. 如果每次按下电源按钮 (C) 时 LED 均亮起, 则表明设备电池电量低, 需要充电。(TTE/P)
5. 将一根已知良好的通电微型 USB 电缆插入设备。如果设备通电且 LED 闪烁, 则取出设备电池。取下电池盖, 将电池电缆连接器 (黑色和红色电线所在的黑色塑料) 进一步压入外壳。

### 2.4.3 充电时充电灯 (L) 未打开

1. 使用灯测试电源插座。
2. 确保微型 USB 电缆完全插入电源和设备。
3. 尝试使用其他微型 USB 电缆。

4. 尝试使用其他电源(USB 电源插座)。
5. 在手机或其他设备上测试充电器和电缆。

### STP

6. 确保该电池(或多个电池)可充电。  
设备无法对非充电电池充电。

7. 确保电池正确插入。检查确保电池方向正确, 电池 + 端进入设备 + 端。

### TTE/P:

8. 将已知良好的微型 USB 连接线插入设备并激活电源按钮 (C), 如果设备通电且 LED 灯闪烁, 则取出设备电池。取下电池盖 (G), 将电池连接器 (H) 进一步压入外壳。

#### 2.4.4 装置“发出过多的嗡嗡声”、“听起来很好笑”、“被消音”或“不清晰”

1. 确保发音头 (A) 与颈部皮肤完全接触。
2. 尝试放置于颈部不同位置。(参见 2.2.7 将电子喉紧贴颈部)
3. 降低音量 (D)。
4. 调节音调 (K)。
5. 使用口腔适配器(参见 2.3.4 安装/使用口腔适配器和口腔管)
6. 检查发音头盖。如果发音按钮松动或轻微移动或泡沫环损坏, 设备可能需要一个新的泡沫环。
7. 取下发音头 (A) 并检测内部。
  - 在发音头 (A) 中心是否有一个小橡胶片胶合在适当位置?如果不是, 则装置需要更换发音按钮。(参见 2.5.1 服务与帮助)
  - 确保膜片与线圈柱相连。确保接触时线圈自由弹起, 并且无任何砂砾感(插图 4)

### TTE/P:

1. 尝试可选的超锐利发音头(2.3.2 更换发音头)(插图 5)

#### 2.4.5 “发音头 (A) 分离”或发音按钮被推出发音头盖

1. 检查泡沫环是否损坏。
2. 如果未损坏, 可以重复使用原始泡沫环并重新组装在一起。
3. 如果损坏, 则需要更换。

### TTE/P:

按钮传感器的灵敏度可能过于敏感。尝试其他模式, 通常为较低模式。

#### 2.4.6 按钮“粘连”

1. 阅读一般清洁建议(2.3.1 设备维护)。
2. 使用蘸有少量推荐酒精的棉签或棉拭子(2.3.1 设备维护)清洁电源按钮周围 5-6 次, 然后按压电源按钮 5-6 次。
3. 交替按下电源按钮并使用棉签或棉拭子清洁按钮周围。继续进行, 直至不再粘连。
4. 使用一张较厚的纸清除卡在电源按钮缝隙中的碎屑。

#### 2.4.7 音调不稳定 (TTE/P)

尝试使用灵敏度较低的模式。(参见 2.2.3 设置模式)

#### 2.4.8 音量不稳定 (TTE/P)

尝试音量模式以外的其他模式。(参见 2.2.3 设置模式)

## 2.4.9 对无线电或电视接收造成干扰的装置

1. 调整接收天线的方向或位置。
2. 使设备远离接收装置。
3. 将设备插入另一线路的插座中, 与接收装置连接的线路分开。
4. 咨询代理商或有经验的无线电/电视技术员寻求帮助。

## 2.5 服务

### 2.5.1 服务与帮助

除患者可拆卸的部件外, 电子喉不包含任何可维修的部件。维修部件包括电池、发音头、发音头垫片、泡沫环、口腔适配器和口腔管。如需电子喉的使用或维护帮助以及订购可用部件, 请与您当地的代表联系。

## 2.6 弃置

弃置使用过的医疗设备时, 请务必遵循生物危害相关的医疗惯例和国家要求。

## 2.7 报告

请注意, 发生任何与设备有关的严重事故时, 应向制造商以及用户和/或患者所在国家/地区的主管部门报告。

## 3. 技术规格

描述	规格
工作温度 (以维持最佳电池寿命)	+5°C-+25°C +41°F-+77°F
储存和运输温度 (以维持最佳电池寿命)	-20°C-+25°C -4°F-+77°F
工作湿度 (以维持最佳电池寿命)	15-93% 相对湿度, 700 hPa-1,060 hPa
储存湿度	0-45% 相对湿度
预期使用寿命	1-5 年
应用部件	BF 型应用部件 (整个设备)
工作模式	24 小时内激活 30 分钟
电源	内部供电
直径	Provox SolaTone Plus 118 mm (4.6 英寸); Provox TruTone Emote 113 mm (4.5 英寸); Provox TruTone Plus 113 mm (4.5 英寸)

描述	规格
重量	Provox SolaTone Plus 130 g (0.29 磅) ; Provox TruTone Emote 130 g (0.29 磅) ; Provox TruTone Plus 131 g (0.29 磅)
充电器规格	5 V, 最低输出 750 mA (即 0.75 A)

## 4. 符合性

设备经过测试, 符合 IEC 60601-1-2 标准, 测试水平适用于家庭环境。

מפרט	תיאור
לחות יחסית 0% עד 45%	לחות באחסון
5-1 שנים	חיי שירות צפויים
חלק פעיל במגע ישיר בדירוג BF (ההתקן כולו)	החלק הנמצא בשימוש
30 דקות פעולה בפרק זמן של 24 שעות	מצב פעולה
מקור הפעלה פנימי	מקור מתח
118 Provox SolaTone Plus מ"מ (4.6 אינץ'); 113 Provox TruTone Emote מ"מ (4.5 אינץ'); 113 Provox TruTone Plus מ"מ (4.5 אינץ').	מידות
130 Provox SolaTone Plus גרם (0.29 פאונד); 130 Provox TruTone Emote גרם (0.29 פאונד); 131 Provox TruTone Plus גרם (0,29 פאונד)	משקל
5 V, מינימום 750 mA (או מינימום 0.75 A)	מפרט המטען

#### 4. תאימות

ההתקן נבדק והוא תואם לתקן IEC 60601-1-2, כאשר רמת הבדיקה מותאמת לסביבה ביתית.

## TTE/P:

יתכן כי רגישות חיישן הלחצן רבה מדי. נסה מצב אחר, לרוב מצב חלש יותר.

### 2.4.6 הלחצן "נדבק"

1. עיין בעצות לניקוי כללי (2.3.1 תחזוקת ההתקן)
2. השתמש במקל לניקוי אוזניים עם כמות קטנה של סוג האלכוהול המומלץ (2.3.1 תחזוקת ההתקן) כדי לנקות סביב לחצן ההפעלה 5-6 פעמים, ולאחר מכן לחץ על לחצן ההפעלה 5-6 פעמים.
3. לחץ לסירוגין על לחצן ההפעלה ונקה מסביבו בעזרת מקל לניקוי אוזניים. המשיך בפעולה עד שתיעלם הדביקות.
4. השתמש בפיסת נייר עבה יותר להסרת לכלוך שנתקע בחריץ שמסביב ללחצן ההפעלה.

### 2.4.7 טון לא יציב (TTE/P)

נסה לקבוע מצב עבודה עם רגישות נמוכה יותר. (ראה סעיף 2.2.3 הגדרת מצבים)

### 2.4.8 עוצמה לא יציבה (TTE/P)

נסה מצב שאינו מצב עוצמת קול. (ראה סעיף 2.2.3 הגדרת מצבים)

### 2.4.9 היחידה גורמת להפרעות בקליטת רדיו או טלוויזיה

1. שינוי הכיוון או המיקום של אנטנת הקליטה.
2. הגדלת המרחק שמפריד בין הציוד למקלט.
3. חיבור הציוד לשקע במעגל חשמלי נפרד מזה שהמקלט מחובר אליו.
4. לקבלת סיוע פנה למפיץ או לטכנאי רדיו/טלוויזיה מנוסה.

## 2.5 שירות

### 2.5.1 שירות ועזרה

מכשיר אלקטרולרינקס אינו מכיל חלקים שהמשתמש אמור לתת להם שירות, פרט לחלקים אותם המטופל מסיר. חלקי שירות כוללים סוללות, ראש קול, מרווח ראש קול, טבעת קצף, מתאם פומי וצינורות פומיים. צור קשר עם הנציג המקומי לקבלת עזרה בשימוש או בתחזוקה של מכשיר אלקטרולרינקס שברשותך ולהזמנת חלקים זמינים.

### 2.6 סילוק

יש להקפיד לפעול בהתאם לפרקטיקה הרפואית ולדרישות הנהוגות במדינה בנוגע לגורמי סיכון ביולוגי בעת סילוקו של התקן רפואי משומש.

### 2.7 דיווח

לתשומת לבך, כל תקרית חמורה שתתרחש בהקשר להתקן תדווח ליצרן ולרשות הלאומית במדינת המגורים של המשתמש ו/או המטופל.

## 3. מפרט טכני

מפרט	תיאור
+5°C עד +25°C +41°F עד +77°F	טמפרטורת הפעלה (לשמירה על אורך חיי סוללה אופטימלי)
-20°C עד +25°C -4°F עד +77°F	טמפרטורת אחסון והובלה (לשמירה על אורך חיי סוללה אופטימלי)
לחות יחסית 15% עד 93% 700 הקטופסקל עד 1060 הקטופסקל	לחות הפעלה (לשמירה על אורך חיי סוללה אופטימלי)

## 2.4.2 המכשיר "אינו מגיב כלל", "נשבר" או "הפסיק לפעול"

1. ודא כי בורר עוצמת הקול (D) אינו מסובב למטה עד הסוף, כי זה גורם לכיבוי ההתקן.
2. סובב את בורר עוצמת הקול (D) למטה עד סוף הסיבוב לשם כיבוי ההתקן.
3. לחץ בעדינות על לחצן ההפעלה (C) והגבר את הלחץ. אם ההתקן מופעל וכבה בתהליך זה, יש לשלוח את ההתקן לצורך החלפתו. (ראה 2.5.1 שירות ועזרה)
4. אם נורית ה-LED נדלקת בכל לחיצה על כפתור ההפעלה (C), סימן שהסוללה חלשה ויש להטעינה. (TTE/P)
5. חבר כבל מיקרו-USB תקין ומחובר לחשמל אל תוך ההתקן. אם ההתקן נדלק ונורית ה-LED מהבהבת, סוללת ההתקן מנותקת. הסר את מכסה הסוללה ולחץ על מחבר הכבל של הסוללה (פלסטיק שחור במקום שאילו נכנסים החוטים בצבעי שחור ואדום) חזק יותר אל תוך בית הסוללה.

## 2.4.3 נורית הטעינה (L) אינה נדלקת במהלך הטעינה

1. בדוק את שקע החשמל בעזרת מנורה.
2. ודא כי כבל המיקרו-USB מחובר כראוי לחשמל ולהתקן.
3. נסה כבל מיקרו-USB אחר.
4. נסה מקור טעינה אחר (שקע USB).
5. בדוק את תקינות המטען והכבל על ידי חיבור לטלפון נייד או למכשיר אחר.

### STP

6. ודא כי הסוללה (או הסוללות) נטענות. ההתקן לא יטעין סוללות שאינן מיועדות לטעינה.
7. ודא כי הסוללות מונחות באופן הנכון. ודא כי כיוון הסוללות נכון כך שסימן ה-+ של הסוללה פונה אל סימן ה-+ של ההתקן.

### TTE/P

8. חבר כבל מיקרו-USB תקין ומחובר לחשמל אל תוך ההתקן והפעל את לחצן ההפעלה (C), אם ההתקן נדלק ונורית ה-LED מהבהבת, הסוללה מנותקת. הסר את מכסה הסוללה (G) ולחץ חזק יותר את מחבר הסוללה (H) אל תוך בית הסוללה.

## 2.4.4 המכשיר "מזמזם יותר מדי" "נשמע מוזר" "קולו עמום"

### או "לא ברור"

1. ודא שראש הקול (A) נמצא במגע מלא עם עור הצוואר.
  2. נסה מיקום אחר על הצוואר. (ראה 2.2.7 מיקום מכשיר האלקטרוניקה על הצוואר)
  3. הפחת את עוצמת הקול (D).
  4. כוונן את הטון (K).
  5. השתמש במתאם הפומי (ראה התקנה/שימוש של מתאם/צינורית פומי/ת 2.3.4)
  6. בדוק את המכסה. אם לחצן הצליל רופף או זז מעט או אם טבעת הקצף נראית פגומה, ייתכן שיש להחליף את טבעת הקצף בחדשה.
  7. הסר את ראש הקול (A) והבט פנימה.
- האם ישנו חלק קטן מגומי המודבק במרכז ראש הקול (A)? אם הוא איננו, יש צורך להחליף את לחצן הצליל. (ראה 2.5.1 שירות ועזרה)
  - ודא כי הדיאפרגמה מחוברת לעמוד הסליל. ודא כי הסליל נע בחופשיות כאשר נוגעים בו ואינו יוצר תחושת גרגור (איור 4)

### TTE/P

1. נסה את ראש הקול האופציונלי החד במיוחד (2.3.2 החלפת ראש הקול) (איור 5)

## 2.4.5 "ראש הקול (A) התפרק" או שלחצן הקול ניתק מהמכסה

1. בדוק אם טבעת הקצף פגומה.
2. אם היא אינה פגומה, ניתן לעשות שימוש חוזר בטבעת הקצף המקורית ולהרכיב אותה חזרה.
3. אם היא פגומה, יש להחליפה.



### 2.3.2 החלפת ראש הקול (איור 5)

- צור קשר עם הנציג שלך להחלפת ראשי הקול.
1. נגב את ההתקן על פי סעיף 2.3.1 תחזוקה. ודא שהנך מפעיל לחץ קל ונגב את לחצן ההפעלה בתנועה סיבובית או בתנועת פיתול. לאחר ניגוב הגוף, נגב את מכסה ראש הקול והיזהר שלא להפעיל לחץ רב מדי שיגרום לניתוק לחצן הצליל שלמעלה.
  2. הברג החוצה את ראש הקול ושלוף אותו החוצה.
  3. ודא שמרווח ראש הקול (B) עדיין מותקן. החלף אותו אם הוא שבור או אם הוא חסר לפני התקנת ראש הקול החדש (TTE/P) (A) (ראה סעיף 2.3.3 הוספה/הסרה של מרווח ראש קול).
  4. התקן ראש קול חדש (A).

**אמצעי זהירות:** אין להסיר את דיאפרגמת הסיליקון הממוקמת מתחת לראש הקול. יש לשמור את דיאפרגמת הסיליקון בחריץ שבקנה מפעיל הסליל. (איור 3)

**אמצעי זהירות:** אין לעקם את הסליל/המפעיל. החוטים אמורים להתלפף בצורה חלקה מסביב לסליל/המפעיל. (איור 3)

### 2.3.3 הוספה/הסרה של מרווח ראש קול (איור 2)

1. הברג החוצה את ראש הקול.
2. הוסף/הסר את המרווח.
3. הברג את ראש הקול בחזרה למקומו.
4. בדוק את המכשיר על-ידי האזנה לאיכויות הקוליות. אם אתה מעדיף את האיכויות הקוליות המתקבלות ללא המרווח, הקפד לאחסן את המרווח במקום בטוח, למשל בקופסה שבה הגיע המכשיר.

### 2.3.4 התקנה/שימוש של מתאם/צינורית פומית (איור 3)

1. הכנס את הצינורית הפומית (I) לחלק העליון של המתאם הפומי (J).

**אמצעי זהירות:** אל תכניס את הצינורית הפומית מעבר למעצור. ודא שהצינורית אינה משתרבת באזור המכסה.

2. מקם את המתאם הפומי מעל ראש הקול (A).

**אמצעי זהירות:** אל תסובב אותו.

3. שים את הצינורית הפומית בתוך הפה, בזווית הפה.
4. הפעל את מכשיר האלקטרולרינקס. דבר סביב הצינורית הפומית.

### 2.3.5 החלפת הסוללה

#### STP

- שתי סוללות AA Nickel Metal Hydride (NiMH) 1.5V נטענות.  
• התקן את הסוללה (F) לפי החצים שבתוך ה-STP (איור 1)

#### TTE/P:

- השתמש רק בסוללות ליתיום-יון שאושרו לשימוש. לפרטים נוספים, פנה אל המפיצים.
- התקן את הסוללה (F) באופן המוצג (איור 1); ניתן להכניסה בצורה אחת בלבד.
  - לשונית יישור מחבר הסוללה (H) פונה כלפי מעלה, כאשר החוט האדום בצד ימין.
- (איור 1)

### 2.4 מדריך איתור ותיקון תקלות

#### 2.4.1 דיבור לא מספיק ברור במהלך שימוש בטלפון

1. מקם את המיקרופון של הטלפון למעלה ליד האף, לא מתחת לפה. פעולה זו תרחיק את המיקרופון מהסטומה ומקול מכשיר האלקטרולרינקס.
2. הפחת את עוצמת מכשיר האלקטרולרינקס כך שעוצמת הקול תהיה שקטה ככל האפשר אך עדיין תפיק קול.

## 2.2.6 טעינת הסוללה

- משוך החוצה את הקצה העליון של מגן האבק של ה-(TTE/P) (USB).
- חבר את המיקרו-USB לשקע ה-USB לטעינה (V) עם תקע מאושר לטעינה חשמלית.
- ודא כי נורית ה-(LED) דולקת.
- לאחר השלמת הטעינה נתק את היחידה מהחשמל כדי לחסוך בחשמל. השתמש עד שעוצמת הקול תתחיל להתעמעם. בנקודה זו הסוללה איבדה 80% מכוחה.

### נורית ה-(L) LED

- סוללה חלשה (TTE/P) – הנורית נדלקת בעת לחיצה על לחצן ההפעלה ומציינת כי זמן הטעינה מתקרב.
- טעינה – אור יציב
- טעינה הסתיימה – אור מהבהב

## 2.2.7 מיקום מכשיר האלקטרוניקס על הצוואר

- הצמד את ראש הקול (A) לצוואר והפעל אותו באמצעות לחצן ההפעלה (C). אין להחזיר חלק כלשהו של ההתקן או אביזרים כלשהם לתוך הסטומה.
- דבר כאילו הקול נישא לתוך פיך. אל תפלוט אוויר באופן כפוי.
- הקפד על אטימה מוחלטת בין ראש הקול והצוואר שלך.
- נסה מיקומים שונים עד שתגיע לקול המיטבי. שים לב שגם שינוי של 3 מ"מ (1/8 אינץ') במיקום יכול להשפיע במידה רבה על עוצמת הקול.
- אם אינך מצליח להפיק קול דרך הצוואר או למקם את ההתקן על הצוואר בשל סיבות רפואיות, נסה למקם אותו על הלחי או להשתמש במתאם הפומי (ראה התקנה/שימוש במתאם/צינורית פומי/ת אופציונלית/2.3.4).
- כוונן הקול הבסיסי מעלה או מטה עשוי לשפר את הקול המופק.
- לרוב האנשים קל יותר לשמוע קולות בטווח הביניים.

## 2.2.8 מתאם פומי וצינוריות פומיות אופציונליים

- אם מיקום ההתקן על הצוואר אינו מתאים כתוצאה מרגישות בצוואר או זמזום חריג, ניתן להשתמש במתאם הפומי. (התקנה/שימוש במתאם/צינורית פומי/ת 2.3.4)

## 2.2.9 הנחיות להדגמה

### אזהרה!

- המתאם הפומי, הצינורית הפומית וראש הקול מיועדים על ידי מטופל אחד בלבד, ואין להשתמש בהם עבור מספר מטופלים.

### אמצעי זהירות!

- יש לבצע פעולות תחזוקה להתקן אחרי כל מטופל ואחרי כל הדגמה בהתאם להוראות התחזוקה.

- מטרת ההדגמה היא לקבוע את מידת ההתאמה של ההתקן למטופל.
- על המשתמשים לנקות את ידיהם ולחטא אותן באיזופרופיל אלקוהול (IPA) או בחומר חיטוי מתאים אחר, או להשתמש בכפפות.
- יש להחליף ולהשליך את ראש הקול (A) (כולל לחצן הצליל וטבעת הקצף) בין מטופל למטופל (2.3.2 החלפת ראש הקול).
- יש לנגב את ההתקן לפני ואחרי כל מטופל, בהתאם לסעיף 2.3.1 תחזוקת ההתקן.

## 2.3 תחזוקה והחלפת חלקים

### 2.3.1 תחזוקת ההתקן

- פעולות התחזוקה הן באחריות המשתמש. יש לבצע את פעולות התחזוקה אחרי כל שימוש.
- נגב את ההתקן באמצעות מטלית יבשה ונקייה, או במקרה הצורך, באמצעות מטלית לחה (לא נוטפת מים). השתמש במים וסבון עדין או באיזופרופיל אלקוהול 50%-75%.
- יש להיזהר ולמנוע חדירת לחות להתקן.
- אין להשתמש בחומרים לניקוי מכשירים חשמליים או בתרסיסי ניקוי.

- I. צינורית פומית (2 + 2)
- J. מתאם פומי
- K. בורר לכוונון הטון (גובה צליל)
- L. נורית LED לחיווי
- M. לחצן מצב פעולה (TTE/P)
- U. מגן אבק ל-(TTE/P) (USB)
- V. שקע USB לטעינה

## 2.2 הוראות הפעלה

### 2.2.1 עוצמת הקול והפעלה

- כאשר בורר עוצמת הקול (D) מסובב למטה עד הסוף, הוא כבוי.
- הפעל את ההתקן והתאם את עוצמת הקול על ידי סיבוב בורר עוצמת הקול כלפי מעלה (D).

### 2.2.2 כוונון הטון

- כוונן את הטון על ידי סיבוב בורר כוונון הטון (K).
- המשך ללחוץ על לחצן ההפעלה (C) במהלך הכוונון הראשוני כדי לשמוע את ההבדלים.
- שימוש בבורר כוונון הטון (K) מבלי ללחוץ על לחצן ההפעלה (C) עדיין גורם לשינוי הטון אך ללא היכולת לשמוע אותו.

### 2.2.3 הגדרת המצב (TTE/P)

להחלפת המצב, הסר תחילה את מכסה הסוללה, ולאחר מכן ללחוץ בו זמנית על לחצן המצב (M) ועל לחצן ההפעלה (C). המצב ישתנה מיידית, אולם אם תשאיר את לחצן ההפעלה לחוץ, המכשיר יצפץ כדי לציין את הגדרת המצב החדשה. מספר הצפצופים וקולם מציינים באיזה מצב נתון המכשיר.

ל-Provox TruTone Emote (TTE) יש שישה מצבים 1-6 ול-Provox TruTone Plus (TTP) יש שני מצבים 1-2.

#### מצבים 1-4: ארבעה טווחים קבועים מראש.

מצב 1 – כמעט מונוטוני	צפצוף 1
מצב 2 – גיוון קטן בטון – טווח של 1/2 אוקטבות	2 צפצופים
מצב 3 – גיוון בינוני בטון	3 צפצופים
מצב 4 – גיוון גבוה בטון – טווח של 2 אוקטבות	4 צפצופים

**מצבים 5-6 (TTE):** מצב עוצמת קול מאפשר לשלוט בעוצמת הקול בעזרת לחצן ההפעלה (C), במקום בורר הקול (K). מיועד לאנשים שאינם משתמשים בפקד הקול, והוא מאפשר שליטה בעוצמת הקול מבלי להזיז את הכפתור. מגע קל מאוד יאפשר לך לדבר ב"קול הלחישה" שלך, ולחיצה חזקה מפיקה את עוצמת הקול החזקה ביותר. כפתור הבקרה על עוצמת הקול עדיין מגביל את עוצמת הקול המירבית. שינוי במצבים הללו יוצר קול של "נשימה כבדה" (טון הולך וגובר), במקום צפצוף בקול יציב.

מצב 5 – רגישות נמוכה – עוצמת קול מלאה מצריכה יותר לחץ. 2 "נשימות כבדות"
מצב 6 – רגישות גבוהה – עוצמת קול מלאה מצריכה פחות לחץ. 3 "נשימות כבדות"

### 2.2.4 בחירת ראש קול

אם רקמת הצוואר שלך קשה או שאתה נמצא בסביבה רועשת. ניתן להשתמש בראש הקול האפור המאפשר הפקת קול חד יותר. (ראה סעיף 2.3.2 החלפת ראש הקול)

### 2.2.5 שימוש במרווח ראש קול (TTE/P) - (B)

אם אתה משתמש בטון גבוה יותר באופן שוטף ומעדיף את האיכויות הקוליות ללא מרווח ראש הקול, ניתן להסירו. (ראה סעיף 2.3.3 הסופה/הסרה של מרווח ראש קול)

- ההתקן מכיל מגנט שמייצר שדות מגנטיים ואלקטרומגנטיים שעלולים לשבש את תפקודם של קוצבי לב או התקנים מושטלים אחרים, וכן הליכים או טיפולים מסוימים. יש לשמור על מרחק מינימום של 15 ס"מ (6 אינץ') בין התקן זה לכל התקן רפואי מושטל אחר. יש להתייעץ עם הרופא לפני כל טיפול או הליך רפואי. אם מתעורר חשד להפרעה בין התקן זה להתקן רפואי מושטל אחר, יש להפסיק את השימוש ולהתייעץ עם הרופא.
- אין להחדיר חלקים של ההתקן או אביזרים כלשהם לתוך הסטומה, מכיוון שהדבר עלול לגרום לפגיעה גופנית.
- אין לבצע כל שינוי בהתקן, מכיוון שהדבר עלול לגרום לפגיעה גופנית או להזיק להתקן.
- ההתקן מכיל חלקים קטנים שעלולים להתנתק ממקומם ולגרום לסכנת חנק. יש להרחיק מהישג ידם של ילדים.

## 1.5 אמצעי זהירות

- יש להיזהר שלא לפגוע בכבלי הסוללה בעת פתיחה/סגירה של מכסה הסוללות.
- אי ציות להוראות התחזוקה עלול לגרום לפגיעה גופנית ו/או להזיק להתקן.
- לעולם אין להשתמש בהתקן שבור או בהתקן שבוצעו בו שינויים; או לטעון התקן שבור או להתקן שבוצעו בו שינויים, מכיוון שהדבר עלול לגרום לפגיעה גופנית ו/או להזיק להתקן.
- המכשיר והסוללות עשויים להתחמם (עד  $45^{\circ}\text{C}/113^{\circ}\text{F}$ ) במהלך הטעינה. יש להניח להתקן להתקרר לפני השימוש.
- המכשיר עשוי להתחמם במהלך השימוש בו. יש לנקוט באמצעי הזהירות הדרושים בעת מיקום המכשיר על הצוואר לצורך השימוש בו.
- בעת שימוש ממושך, הרטט עלול לגרום לאי נוחות בקרב משתמשים רגישים.
- הפרעת שדה אלקטרומגנטי מהתקנים אחרים עלולה לגרום לתקלה בהתקן או להפסקת פעולתו.
- יש להיזהר שלא ללעוס/לנשוך את הצינורית הפומית, מכיוון שהדבר עלול לגרום נזקים לשיניים.
- יש להיזהר שלא להפיל את ההתקן, מכיוון שהדבר עלול לגרום נזק להתקן.
- ההתקן עלול לגרום לתחושת מאמץ ועייפות בכתף/זרוע בקרב אנשים עם בעיות בכתפיים.

## 2. הוראות שימוש

**הגדרות:** *Provox TruTone Plus* = **TTP**, *Provox TruTone Emote* = **TTE**,  
*Provox SolaTone Plus* = **STP**, *Provox TruTone* = שני מוצרי **TTE/P**,

### 2.1 תכולה

#### תכולת הקופסה

- אלקטרולרינקס
- הוראות שימוש
- מתאם פומי
- אריזה המכילה מגוון סוגים של צינוריות פומיות
- כבל מיקרו-USB
- ראש קול חד במיוחד (TTE/P)
- 2 סוללות נטענות מסוג (AA NiMH) (STP) (Lanyard)

#### תיאור חלקים (איור 1)

- ראש קול (1 STP) (x2 TTE/P) (כולל לחצן צליל וטבעת קצף)
- מרווח ראש קול (TTE/P)
- לחצן הפעלה (לחצן Emotion™ ב-TTE/P)
- בורר עוצמת קול
- גוף
- סוללה
- מכסה סוללה
- מחבר סוללה (TTE/P)

## 1. מידע תיאורי

### 1.1 שימוש מיועד

מכשיר הדיבור אלקטרוליניקס הוא בית קול מלאכותי חיצוני המופעל באמצעות סוללה, המיועד להפקת קול כאשר לא ניתן להשתמש בבית הקול להפקת קול. כאשר מצמידים אותו לעור באזור תיבת הקול, או כאשר מכניסים צינורית לחלל הפה (באמצעות מתאם פומי), המכשיר יוצר רעידות מכניות שמהדהדות בחללי הפה והאף ושניתן לכוון אותן באמצעות הלשון והשפתיים באופן רגיל, וכתוצאה מכך לאפשר דיבור.

### 1.2 התוויות נגד

יש להשתמש בהתקן אך ורק בהתאם להוראות השימוש. ההתקן אינו מיועד לשימוש באופן עצמאי על ידי משתמשים ללא היכולת הפיזית, הקוגניטיבית, או המנטלית הנדרשת להפעלתו, אלא אם הם נמצאים תחת השגחה מתאימה של קלינאי או מטפל בעל הכשרה מתאימה. אין להניח התקן זה ישירות על רקמת צוואר שברירית עם כלי דם חלשים. פעולה זו עלולה לגרום פגיעה לרקמה או דימום. על מטופלים עם בעיה זו להשתמש בהתקן אך ורק לאחר קבלת הדרכה מפורטת של קלינאי תקשורת על אופן השימוש בהתקן והמקום שבו יש למקמו בצורה בטוחה.

### 1.3 תיאור המכשיר

מכשיר הדיבור אלקטרוליניקס הוא בית קול מלאכותי חיצוני המופעל באמצעות סוללה לשימוש על עור שאינו פגום, המיועד להפקת קול בהיעדרו של בית הקול או כאשר לא ניתן להשתמש בבית הקול להפקת קול.

### 1.4 אזהרות

- אי ציות להוראות הבטיחות עלול לגרום לפגיעה גופנית או להזיק להתקן. יש לקרוא את כלל הוראות הבטיחות לפני השימוש בהתקן.
- שימוש לא נכון בהתקן או אי ציות להוראות המפורטות בהוראות השימוש עלול לגרום לפגיעה גופנית ו/או להזיק להתקן.
- אין להעביר את ההתקן מאדם לאדם כי הדבר עלול לגרום לזיהום צולב. התקן זה מיועד לשימוש במטופל אחד בלבד.
- אין להפעיל, להשתמש או להטעין את ההתקן אם הוא נחשף למים או נוזלים אחרים, או נפל לתוכם, מכיוון שהדבר עלול לגרום לפגיעה גופנית ו/או לנזק להתקן.
- לפני טעינת ההתקן, יש לבדוק שלא קיימת פגיעה במטען. אין להמשיך להשתמש במטען פגום או שאינו פועל, מכיוון שהדבר עלול לגרום לשרפה, לפגיעה גופנית או להזיק להתקן.
- יש להשתמש אך ורק במטענים המאושרים לשימוש, מכיוון ששימוש במטענים שאינם מאושרים עלול לגרום לשרפה, לפגיעה גופנית או להזיק להתקן.
- אין לנסות ולטעון סוללות שאינן ניתנות לטעינה, מכיוון שהדבר עלול לגרום לפגיעה גופנית או להזיק להתקן.
- אין להחליף סוללות נטענות בסוללות שאינן ניתנות לטעינה, מכיוון שהדבר עלול לגרום לפגיעה גופנית או להזיק להתקן.
- אין לגרום נזק פיזי לסוללות, מכיוון שהדבר עלול לגרום לפגיעה גופנית או להזיק להתקן.
- אין לאחסן סוללות בכיס, בארנק, בקופסה או מגירה וכו', במקום שבו הן עשויות לגרום לקצר כתוצאה ממגע זו בזו או בחומרים מוליכים אחרים, כגון מטבעות או מפתחות, מכיוון שהדבר עלול לגרום לפגיעה גופנית או להזיק להתקן.
- אין להשתמש בסוללה דולפת, מכיוון שהדבר עלול לגרום לפגיעה גופנית או להזיק להתקן.
- אין לחשוף את סוללת הליתיום לטמפרטורות מחוץ לטווחים המצוינים במדבקה, מכיוון שהדבר עלול לגרום לפגיעה גופנית או להזיק להתקן.
- יש להיזהר בעת החלפת הסוללות. התקנה שגויה של הסוללות עלולה ליצור מצב מסוכן, כגון התחממות קיצונית או שריפה, שעלול לגרום לפגיעה גופנית או להזיק להתקן.

## 2.5 الصيانة

### 2.5.1 الصيانة والمساعدة

لا يحتوي جهاز الحنجرة الإلكترونية على أي أجزاء صالحة للصيانة بخلاف تلك التي يمكن للمريض إزالتها. تشمل قطع الغيار: البطاريات ورأس الصوت ومبادئ رأس الصوت والحلقة الرغوية والمحول الفموي والأنابيب الفموية يمكنك الاتصال بالممثل المحلي للحصول على المساعدة في استخدام جهاز الحنجرة الإلكترونية والمحافظة عليه وطلب القطع المتوفرة.

### 2.6 التخلص من المنتج

احرص دائمًا على اتباع القوانين المعتمدة في بلدك فيما يتصل بالمخاطر البيولوجية عند التخلص من أي جهاز طبي مستعمل.

### 2.7 الإبلاغ

يُرجى ملاحظة أنه يجب إبلاغ الشركة المُصنِّعة والسلطة الوطنية بالبلد الذي يقيم فيه المستخدم و/أو المريض بأي حادث خطير يقع في ما يتعلق بالجهاز.

## 3. المواصفات الفنية

المواصفات	الوصف
من +5 درجات مئوية إلى +25 درجة مئوية من +41 درجة فهرنهايت إلى +77 درجة فهرنهايت	درجة حرارة التشغيل (للحفاظ على العمر الأمثل للبطارية)
من -20 درجة مئوية إلى +25 درجة مئوية من -4 درجات فهرنهايت إلى +77 درجة فهرنهايت	درجة حرارة التخزين والنقل (للحفاظ على العمر الأمثل للبطارية)
رطوبة نسبية تتراوح ما بين 15% و 93% من 700 هيكروباسكال إلى 1060 هيكروباسكال	الرطوبة التشغيلية (للحفاظ على العمر الأمثل للبطارية)
رطوبة نسبية تتراوح ما بين 0% و 45%	رطوبة التخزين
1-5 سنوات	عمر الاستخدام المتوقع
جزء مستعمل على الجسم من النوع BF (الجهاز بأكمله)	الجزء المستعمل على الجسم
تشغيل لمدة 30 دقيقة خلال فترة 24 ساعة	وضع التشغيل
تغذية داخلية بالطاقة	مصدر الطاقة
Provox SoloTone Plus مقاس 118 مم (4.6 بوصات)؛ Provox TruTone Emote مقاس 113 مم (4.5 بوصات)؛ Provox TruTone Plus مقاس 113 مم (4.5 بوصات).	الأبعاد
Provox SoloTone Plus بوزن 130 جراماً (0.29 رطل)؛ Provox TruTone Emote بوزن 130 جراماً (0.29 رطل)؛ Provox TruTone Plus بوزن 131 جراماً (0.29 رطل)	الوزن
الحد الأدنى 5 فولط، 750 مللي أمبير (أو 0.75 أمبير بحد أدنى)	مواصفات الشحن

## 4. الامتثال

تم اختبار الجهاز وهو مطابق للمواصفات حسب المعيار IEC 60601-1-2 بمستوى الاختبار المعتمد للبيئة المحلية.

7. تأكد من إدخال البطاريات بشكل صحيح. تحقق للتأكد من أن البطاريات تتخذ الاتجاه الصحيح مع اتجاه البطارية+ إلى الجهاز +.

#### TTE/P:

8. قم بتوصيل كابل Micro USB يعمل جيداً وتم توصيله بمأخذ الطاقة بالجهاز وقم بتنشيط زر الطاقة (C)، وإذا تم تشغيل الجهاز وأصبح ضوء مؤشر LED يومض، فإن بطارية الجهاز غير متصلة. قم بإزالة غطاء البطارية (G) واضغط على موصل البطارية (H) إلى داخل المبيت بدرجة أكبر.

#### 2.4.4 الوحدة "بها أزيز شديد" تصدر صوتاً غريباً" أو " صوتها مكتوم" أو

#### "صوتها غير واضح"

1. تأكد من أن رأس الصوت (A) يلامس جلد العنق بشكل تام.
2. جرب مكاناً مختلفاً على العنق. (راجع 2.2.7 تركيب الحنجرة الإلكترونية على العنق)
3. قم بخفض مستوى الصوت (D).
4. اضبط النغمة (K).
5. استخدم المحول الفموي (انظر تركيب/استخدام المحول الفموي والأنبوب الفموي 2.3.4)
6. افحص الغطاء. إذا بدا زر الصوت مرتخياً أو تحرك قليلاً أو بدت الحلقة الإسفنجية تالفة، فقد يحتاج الجهاز إلى حلقة إسفنجية جديدة.
7. أزل رأس الصوت (A) وانظر إلى الداخل.
  - هل ثمة قطعة مطاطية صغيرة ملصقة في مكانها في مركز رأس الصوت (A)؟ إذا لم يكن الأمر كذلك، فستحتاج الوحدة إلى زر صوت بديل. (انظر 2.5.1 الصيانة والمساعدة)
  - تأكد من توصيل الحاجز بعمود الملف. تأكد من أن الملف يرتد بحرية عند لمسه، وأن ملمسه لا يشبه ملمس الرمل (الشكل التوضيحي 4)

#### TTE/P:

1. جرب رأس الصوت الحاد الإضافي الاختياري (2.3.2 استبدال رأس الصوت) (الشكل التوضيحي 5)

#### 2.4.5 "تفكك رأس الصوت (A)" أو تم دفع زر الصوت خارج الغطاء

1. تحقق مما إذا كانت الحلقة الإسفنجية تالفة.
2. في حال عدم تلفها، يمكن إعادة استخدام الحلقة الإسفنجية الأصلية وتجميع أجزائها معاً مرة أخرى.
3. في حال تلفها، يجب تغييرها.

#### TTE/P:

قد تكون حساسية مستشعر الزر كبيرة للغاية. جرب وضعاً مختلفاً، وعادةً ما يكون وضعاً أقل.

#### 2.4.6 الزر "عالق"

1. اقرأ نصيحة التنظيف العامة (2.3.1 صيانة الجهاز).
2. استخدم قطن الأذن أو قطعة قطن مع كمية صغيرة من الكحول الموصى به (2.3.1 صيانة الجهاز) لتنظيف المنطقة المحيطة بزر الطاقة 5-6 مرات، ثم اضغط على زر الطاقة 5-6 مرات.
3. قم بالتبديل بين الضغط بشكل متناوب على زر الطاقة والتنظيف حول الزر باستخدام قطن الأذن أو قطعة من القطن. استمر حتى لا يعود الزر عالقاً.
4. استخدم قطعة ورق أكثر سمكاً لإزالة الأتربة العالقة في شق زر الطاقة.

#### 2.4.7 نغمة غير ثابتة (TTE/P)

جرب وضعاً ذا حساسية أقل. (راجع 2.2.3 تعيين الوضع)

#### 2.4.8 مستوى صوت غير ثابت (TTE/P)

جرب وضعاً ليس من أوضاع مستويات الصوت. (راجع 2.2.3 تعيين الوضع)

#### 2.4.9 الوحدة تسبب التداخل مع استقبال الراديو أو التلفزيون

1. إعادة توجيه أو ضبط موضع هوائي الاستقبال.
2. زيادة المسافة الفاصلة بين الجهاز والمستقبل.
3. توصيل الجهاز بمخرج في دائرة مختلفة عن تلك المتصل بها المستقبل.
4. راجع الوكيل أو فني راديو/تلفاز خبير للمساعدة.

### 2.3.3 إضافة/إزالة مبادئ رأس الصوت (الشكل التوضيحي 2)

1. فك رأس الصوت.
2. قم بإضافة/إزالة المبادئ.
3. أعد تركيب رأس الصوت.
4. اختبر الجهاز، بالاستماع إلى جودة النغمات. إذا كنت تفضل جودة النغمات بدون مبادئ، فتأكد من تخزين المبادئ في مكان آمن، مثل العلبة التي جاء بها جهازك.

### 2.3.4 تركيب/استخدام المحول/الأنبوب الفموي (الشكل التوضيحي 3)

1. أدخل الأنبوب الفموي (I) في المحول الفموي (I).
- احتياطات: لا تُدخّل الأنبوب الفموي لأبعد من علامة التوقف. وتأكد من عدم بروز الأنبوب في منطقة الغطاء.
2. ضع المحوّل الفموي فوق رأس الصوت (A).
- احتياطات: لا تقم ببلية.

3. ضع الأنبوب الفموي في الفم، عند ركن فمك.
4. شغل الحنجرة الإلكترونية. تحدّث حول الأنبوب الفموي.

### 2.3.5 تغيير البطارية

#### STP

- بطاريتان من نوع هيدريد النيكل المعدني بجهد 1.5 فولت قابلة لإعادة الشحن مقاس AA.
- قم بتركيب البطارية (F) باتجاه الأسهم الموضوعة داخل STP (الشكل التوضيحي 1)

#### TTE/P:

- لا تستخدم إلا بطاريات الليثيوم المعتمدة فحسب. اتصل بالموزعين لمزيد من المعلومات.
- ركب البطارية (F) كما هو مبين (الشكل التوضيحي 1)؛ يمكن تركيبها باتجاه واحد فقط. يُشير لسان محاذاة موصل البطارية (H) لأعلى، مع اتجاه السلك الأحمر إلى اليمين. (الشكل التوضيحي 1)

## 2.4 دليل استكشاف الأخطاء وإصلاحها

### 2.4.1 وضوح غير مُرضٍ أثناء استخدام الهاتف

1. ضع ميكروفون الهاتف بالقرب من الأنف وليس أسفل الفم. سيؤدي ذلك إلى إبعاد الميكروفون عن صوت فتحة القصب الهوائية والحنجرة الإلكترونية.
2. قم بتقليل مستوى صوت الحنجرة الإلكترونية بحيث يكون مستوى الصوت هادئاً قدر الإمكان، مع الاستمرار في إصدار نغمة.

### 2.4.2 الوحدة "خامدة" أو "معطلة" أو "توقفت للتو عن العمل"

1. تأكد من أن مقبض الصوت (D) ليس مضغوطاً بالكامل، ما يؤدي إلى إيقاف تشغيل الجهاز.
2. أدر مقبض مستوى الصوت (D) لأسفل بالكامل حتى وضع إيقاف التشغيل.
3. اضغط برفق على زر الطاقة (C) و قم بزيادة الضغط. إذا تم تنشيط الجهاز وإلغاء تنشيطه في العملية، يجب إرسال الجهاز للاستبدال. (انظر 2.5.1 الصيانة والمساعدة)
4. إذا كان مؤشر LED يضيء عند الضغط على زر الطاقة (C)، فإن بطارية الجهاز منخفضة وتحتاج إلى الشحن. (TTE/P)
5. قم بتوصيل كابل Micro USB يعمل جيداً وتم توصيله بمأخذ الطاقة بالجهاز. إذا تم تشغيل الجهاز وأصبح مؤشر LED يومض، فهذا يعني أن بطارية الجهاز غير متصلة. قم بإزالة غطاء البطارية واضغط على موصل كابل البطارية (البلاستيكي الأسود الذي تتجه إليه الأسلاك السوداء والحمراء) إلى داخل المبيت بدرجة أكبر.

### 2.4.3 ضوء الشحن (L) لا يضيء أثناء الشحن

1. اختبر مأخذ التيار الكهربائي باستخدام مصباح.
2. تأكد من توصيل كابل Micro USB بالكامل بمصدر الطاقة والجهاز.
3. جرّب كابل Micro USB مختلفاً.
4. جرب مصدر طاقة مختلفاً (مأخذ تيار كهربائي USB).
5. اختبر الشاحن والكابل على هاتف خلوي أو أي جهاز آخر.

#### STP

6. تأكد من أن البطارية (أو البطاريات) قابلة لإعادة الشحن. لن يشحن الجهاز بطاريات غير قابلة لإعادة الشحن.



## 2.2.7 تركيب الحنجرة الإلكترونية على العنق

- ضع رأس الصوت (A) مقابل رقبتك وقم بتنشيط زر الطاقة (C). لا تُدخِل أي جزء من الجهاز أو الملحقات في فتحة القصبه الهوائية.
- تحدّث بينما يحمل الصوت إلى فمك. لا تُجبر الهواء على الخروج.
- تأكد من وجود غلق محكم بين رأس الصوت وعنقك.
- جرّب مواضع مختلفة إلى أن تحصل على أفضل صوت. لاحظ أنه يمكن للتغيير البسيط ولو بمقدار 3 مم/1/8 بوصة أن يؤثر في مستوى الصوت تأثيراً كبيراً.
- إذا كنت غير قادر على تحقيق نقل الصوت عبر رقبتك أو كنت غير قادر على وضع الجهاز على رقبتك لأسباب طبية، فجرّب التركيب على الخد أو استخدم المحول الفموي (انظر تركيب/استخدام المحول/الأنبوب الفموي الاختياري 2.3.4).
- قد ينتج ضبط النغمة الأساسية لأعلى أو لأسفل صوتاً أفضل.
- يسهل على معظم الناس سماع النغمات ذات النطاقات المتوسطة.

## 2.2.8 المحول الفموي الاختياري والأنابيب الفموية الاختيارية

إذا كان التركيب على العنق لا يناسبك بسبب رقة العنق أو الضيق الزائد، يمكنك استخدام المحول الفموي. (تركيب/استخدام المحول/الأنبوب الفموي 2.3.4)

## 2.2.9 إرشادات الاستخدام التوضيحي

### تحذير!

المحول الفموي والأنبوب الفموي ورأس الصوت للاستخدام الفردي فقط، ويجب ألا يُعاد استخدام أي منها مع مرضى متعددين.

### احتياطات!

تجب صيانة الجهاز بعد كل استخدام للمريض وبعد أي استخدام تجريبي له وفقاً لتعليمات الصيانة.

- يتمثل الغرض من الاستخدام التوضيحي في تحديد مدى ملاءمة المريض للجهاز.
- يجب على المستخدمين تنظيف أيديهم وتطهيرها باستخدام كحول الأيزوبروبيل (IPA) أو من خلال أي مطهر آخر مناسب أو استخدام القفازات.
- يجب استبدال رأس الصوت (A) (بما في ذلك زر الصوت والحلقة الإسفنجية) والتخلص منه بين مريض وآخر (2.3.2 استبدال رأس الصوت).
- يجب مسح الجهاز قبل الاستخدام مع كل مريض وبعد ذلك وفقاً للقسم "2.3.1 صيانة الجهاز".

## 2.3 الصيانة وتغيير جزء

### 2.3.1 صيانة الجهاز

- إجراءات الصيانة هي مسؤولية المستخدم. يجب إجراء الصيانة بعد كل استخدام.
- امسح الجهاز بقطعة قماش نظيفة وجافة أو، إذا لزم الأمر، بقطعة قماش مبللة قليلاً (ليس البلل الذي يتقطر منه الماء). استخدم الماء مع الصابون المعتدل أو كحول الأيزوبروبيل بتركيز 55-75%.
- احرص على عدم تسلس الرطوبة إلى الجهاز.
- لا تستخدم أجهزة التنظيف الكهربائية أو البخاخة.

### 2.3.2 استبدال رأس الصوت (الشكل 5)

يمكنك الاتصال بالممثل المحلي لديك لاستبدال رؤوس الصوت.

1. امسح الجهاز وفقاً للبند 2.3.1. الصيانة. احرص على الضغط الخفيف على زر الطاقة ومسحه بحركة دائرية أو ملتوية. بعد مسح الهيكل، امسح غطاء رأس الصوت، مع الحرص على عدم الضغط الزائد الذي قد يتسبب في إزاحة زر الصوت العلوي.
2. قم بإزالة رأس الصوت عن طريق فكّه من الهيكل.
3. تأكد من أن مبادئ رأس الصوت (B) لا يزال مركباً في مكانه. استبدله إذا كان مكسوراً أو مفقوداً قبل تركيب رأس الصوت الجديد (A) (TTE/P) (انظر البند 2.3.3 إضافة/إزالة مبادئ رأس الصوت).
4. قم بتركيب رأس صوت جديد (A).

**احتياطات:** لا تتم إزالة حاجز السيليكون الموجود أسفل رأس الصوت. يجب الإبقاء على حاجز السيليكون في التجويف الموجود في جذع الملف/المشغل. (الشكل التوضيحي 3)

**احتياطات:** لا تتم بلف الملف/المشغل. يجب أن تلتف الأسلاك بسلاسة حول الملف/المشغل. (الشكل التوضيحي 3)

## 2.2 تعليمات التشغيل

### 2.2.1 مستوى الصوت وقوته

- مقبض مستوى الصوت (D) في وضع إيقاف التشغيل بشكل كامل.
- قم بتشغيل الجهاز واضبط مستوى الصوت عن طريق تدوير مقبض مستوى الصوت لأعلى (D).

### 2.2.2 ضبط النغمة

- اضبط النغمة عن طريق تدوير مقبض ضبط النغمة (K).
- استمر في الضغط على زر الطاقة (C) أثناء إجراء الضبط الأولي لسماع الاختلافات.
- يؤدي استخدام مقبض النغمة (K) دون الضغط على زر الطاقة (C) مطولاً مع ذلك إلى تغيير النغمة من دون القدرة على سماعها.

### 2.2.3 تعيين الوضع (TTE/P)

لتغيير الوضع، قم أولاً بإزالة غطاء البطارية، ثم اضغط على زر الأوضاع (M) وزر الطاقة (C) كليهما. يتغير الوضع فوراً، ولكن إذا تواصل الضغط على زر الطاقة، فسيصدر الجهاز صوتاً للإشارة إلى تعيين الوضع الجديد. يُشير عدد أصوات التنبيه ونغماتها إلى الوضع الذي تم تعيينه.

تشمل (TTE) Provox TruTone Emote ستة أوضاع من 1 إلى 6 بينما تشمل (TTP) Provox TruTone Plus وضعين، وهما 1 و2.

**الأوضاع من 1 إلى 4:** أربعة نطاقات مسبقة التعيين.

- الوضع 1 - أحادي النغمة تقريباً
  - الوضع 2 - تغيّرات نغمية منخفضة — نطاق صوتي يبلغ 1/2 أوكتاف
  - الوضع 3 - تغيّرات نغمية متوسطة
  - الوضع 4 - تغيّرات نغمية عالية — نطاق صوتي يبلغ أوكتافين (2)
- رنة تنبيه واحدة (1)  
رنتا تنبيه (2)  
ثلاث رنات تنبيه (3)  
أربع رنات تنبيه (4)

**الوضعان 5-6 (TTE):** يسمح لك وضع مستوى المستوى بالتحكم في مستوى الصوت باستخدام زر الطاقة (C) بدلاً من النغمة (K). يعتبر هذا الخيار مناسباً للأشخاص الذين لا يستخدمون خيار التحكم في النغمة، ويُتيح التحكم في مستوى الصوت بدون تحريك المقبض. تتيح لك لمسة خفيفة جداً أن تتحدث "بصوتك الهامس"، بينما يُصدر الضغط بثبات صوتاً بالمستوى الكامل. ولا يزال بإمكان مقبض التحكم في مستوى الصوت تقييد الحد الأقصى لمستوى الصوت الخاص بك. يؤدي التغيير بين هذه الأوضاع إلى صدور صوت "ووب" (بنغمة متزايدة)، بدلاً من رنة تنبيه نغمية ثابتة.

- الوضع 5 - حساسية منخفضة— يتطلب مستوى الصوت الكامل ضغطاً أكبر.
  - الوضع 6 - حساسية مرتفعة — يتطلب مستوى الصوت الكامل ضغطاً أقل.
- 2 أصوات "ووب"  
3 أصوات "ووب"

### 2.2.4 اختيار رأس الصوت

إذا كانت لديك أنسجة صلبة بالعنق أو في بيئة صاخبة. يمكن استخدام رأس الصوت الرمادي بسبب صوته الأكثر حدة. (انظر 2.3.2 استبدال رأس الصوت)

### 2.2.5 استخدام مبادئ رأس الصوت (B) - (TTE/P)

إذا كنت تستخدم نغمة أعلى بانتظام وتفضل خصائص النغمات من دون مبادئ رأس الصوت، يمكنك إزالته. (انظر 2.3.3 إضافة/إزالة مبادئ رأس الصوت)

### 2.2.6 شحن البطارية

- اسحب غطاء غبار USB (U) للخارج عند الطرف العلوي. (TTE/P)
- أدخل micro-USB في مقبض شحن USB (V) من خلال قابس معتمد للشحن الحائطي.
- تأكد من أن ضوء مؤشر LED (L) مضاء.
- انزع الوحدة من القابض عندما يكتمل الشحن للحفاظ على الطاقة. استخدمها إلى أن يبدأ مستوى الصوت في الخفوت، وهو ما يحدث عن نضوبها بنسبة 80%.

### ضوء مؤشر LED (L)

- بطارية منخفضة (TTE/P) - يضيء الضوء عندما تضغط على زر الطاقة للإشارة إلى أن وقت الشحن قد اقترب.
- الشحن - ضوء ثابت
- الشحن اكتمل - ضوء وامض

- يحتوي الجهاز على مغناطيس يولد مجالات مغناطيسية وكهرومغناطيسية قد تتداخل مع أجهزة تنظيم ضربات القلب أو غيرها من الأجهزة القابلة للزرع بالإضافة إلى بعض الإجراءات أو العلاجات. حافظ على مسافة لا تقل عن 6 بوصات/15 سم بين الجهاز وأي أجهزة طبية مزروعة. تنبغي استشارة الطبيب قبل أي إجراء طبي أو معالجة. وإذا شككت في حدوث تداخل بين الجهاز وأي جهاز طبي مزروع، فتوقف عن استخدامه واستشر طبيبك.
- لا تقم بإدخال أي جزء من الجهاز أو ملحقاته في فتحة القصة الهوائية؛ فقد يؤدي ذلك إلى حدوث إصابة شخصية.
- لا تقم بتعديل الجهاز؛ فقد يؤدي ذلك إلى حدوث إصابة شخصية أو ضرر بالجهاز.
- يحتوي الجهاز على أجزاء صغيرة قد تتعرض للإزاحة وتعرضك لخطر الاختناق. أبعد الجهاز عن الأطفال الصغار.

## 1.5 الاحتياطات

- احرص على عدم إتلاف أسلاك البطارية عند فتح/إغلاق غطاء البطارية.
- قد يؤدي عدم اتباع تعليمات الصيانة إلى حدوث إصابة شخصية و/أو ضرر بالجهاز.
- لا تستخدم جهازاً مكسوراً أو معدلاً أو تم إدخال تغييرات عليه على الإطلاق؛ ولا تقم بشحن جهاز مكسور أو معدل أو تم إدخال تغييرات عليه؛ فقد يؤدي ذلك إلى إصابة شخصية و/أو ضرر بالجهاز.
- قد يسخن الجهاز والبطاريات (حتى 45 درجة مئوية/113 درجة فهرنهايت) أثناء الشحن. اترك الجهاز يبرد قبل الاستخدام.
- قد يسخن الجهاز أثناء الاستخدام. اتخذ الاحتياطات اللازمة عند وضعه على العنق للاستخدام.
- يمكن أن تسبب الاهتزازات إزعاجاً لبعض المستخدمين الحساسين عند الاستخدام المكثف.
- قد يتعطل الجهاز أو يتوقف عن العمل بسبب تداخل المجال الكهرومغناطيسي من الأجهزة الأخرى.
- احرص على عدم مضغ/عض الأنبوب الفموي؛ لأنه قد يتسبب في أضرار بالأسنان.
- احرص على عدم إسقاط الجهاز؛ فقد يتسبب ذلك في تلف الجهاز.
- قد يتسبب الجهاز في الشعور بالجهد والتعب في الكتف/الذراع للأفراد الذين يعانون من خلل وظيفي في الكتف.

## 2. تعليمات الاستخدام

التعريفات:  $Provox TruTone Plus = TTP$ ,  $Provox TruTone Emote = TTE$ ,  $Provox TruTone Plus = STP$  كليهما = منتجي  $TTE/P$

### 2.1 المحتوى

#### محتوى الصندوق

- الحنجرة الإلكترونية
- IFU - تعليمات الاستخدام
- المحول الفموي
- حزمة مجموعة الأنبوب الفموي
- كابل Micro USB
- رأس صوت حاد للغاية (TTE/P)
- 2 من بطاريات NiMH قابلتان لإعادة الشحن (STP) بحجم AA
- الحبل

#### مواصفات الجزء (الشكل التوضيحي 1)

- رأس الصوت (عدد 2 TTE/P) (عدد 1 STP) (بما في ذلك زر الصوت والحلقة الإسفنجية)
- مُباعد رأس الصوت (TTE/P)
- زر الطاقة (زر Emotion™ في TTE/P)
- مقبض مستوى الصوت
- الهيكل
- البطارية
- غطاء البطارية
- موصل البطارية (TTE/P)
- الأنبوب الفموي (2 + 2)
- المحول الفموي
- مقبض ضبط النغمة (طبقة الصوت)
- ضوء مؤشر LED
- زر الأوضاع (TTE/P)
- غطاء حماية USB (TTE/P)
- مدخل شحن USB

## 1. معلومات وصفية

### 1.1 الاستخدام المقصود

الحنجرة الإلكترونية هي عبارة عن حنجرة اصطناعية تعمل بطاقة البطارية وتُستخدم خارجيًا حيث صُممت لاستخدامها في حال فقدان القدرة على استعمال الحنجرة لإصدار الصوت. عند وضع الجهاز على الجلد في منطقة الحنجرة، أو بإدخال أنبوب في تجويف الفم (باستخدام محوّل فموي)، يقوم الجهاز بتوليد اهتزازات ميكانيكية يتردد صداها في التجاويف الفموية والأنفية ويمكن تعديلها باللسان والشفتين بطريقة عادية، مما يسمح بإصدار الصوت.

### 1.2 موانع الاستخدام

ينبغي استخدام الجهاز وفق تعليمات الاستخدام فقط. المستخدمون الذين ليس لديهم القدرة الجسدية أو المعرفية أو العقلية اللازمة لتشغيل الجهاز بأنفسهم، لا ينبغي لهم استخدام الجهاز بشكل مستقل، وينبغي ألا يستخدموه إلا تحت إشراف كافي من طبيب أو مقدم رعاية مؤهل. ينبغي ألا يُوضَع الجهاز مباشرةً على أنسجة الرقبة الضعيفة ذات الأوعية الدموية الضعيفة. قد يتسبب هذا في ضرر أو نزيف بالنسيج. وينبغي ألا يستخدم المرضى الذين يعانون هذه الحالة الطبية الجهاز إلا مع توجيه خاص من الطبيب حول كيفية استخدام الجهاز ومكان استخدامه بشكل آمن.

### 1.3 وصف الجهاز

الحنجرة الإلكترونية هي عبارة عن حنجرة اصطناعية تعمل بطاقة البطارية وترتّب خارجيًا على بشرة غير تالفة حيث صُممت لاستخدامها في حال فقدان الحنجرة أو عدم القدرة على استخدامها لإصدار الصوت.

### 1.4 تحذيرات

- قد يؤدي عدم اتباع تعليمات الأمان إلى إصابة شخصية أو ضرر بالجهاز. اقرأ كل معلومات الأمان أدناه قبل استخدام الجهاز.
- قد يتسبب الاستخدام غير الصحيح للجهاز أو عدم اتباع الإرشادات الواردة في تعليمات الاستخدام هذه في حدوث إصابة شخصية و/أو ضرر بالجهاز.
- لا تستخدم الجهاز مع أشخاص متعددين، فقد يتسبب ذلك في انتقال التلوث. فالجهاز مصمم للاستعمال من قِبَل مريض واحد فقط.
- لا تقم بتشغيل الجهاز أو استخدامه أو شحنه في حال تعرضه للماء أو سوائل أخرى أو سقوطه فيها، حيث يمكن أن يتسبب ذلك في إصابة شخصية و/أو ضرر بالجهاز.
- قبل الشحن، افحص الشاحن بحثًا عن أي تلف. يجب ألا يتم استخدام شاحن تالف أو لم يُعدّ يعمل؛ لأنه قد يتسبب في نشوب حريق أو إصابة شخصية أو ضرر بالجهاز.
- استخدم أجهزة الشحن المعتمدة فقط، لأن استخدام شواحن غير معتمدة يمكن أن يتسبب في نشوب حريق أو إصابة شخصية أو ضرر بالجهاز.
- لا تحاول شحن بطاريات غير قابلة لإعادة الشحن؛ فقد يؤدي ذلك إلى حدوث إصابة شخصية أو ضرر بالجهاز.
- لا تستبدل البطاريات القابلة لإعادة الشحن ببطاريات غير قابلة لإعادة الشحن؛ فقد يؤدي ذلك إلى حدوث إصابة شخصية أو ضرر بالجهاز.
- احذر من التسبب في ضرر مادي للبطاريات؛ فقد يؤدي ذلك إلى حدوث إصابة شخصية أو ضرر بالجهاز.
- لا تقم بتخزين البطاريات في الجيب أو المحفظة أو الصندوق أو الدرج وما إلى ذلك؛ فقد يؤدي ذلك إلى تسبب بعضها في حدوث قصر في الدائرة الكهربائية لبعضها الآخر، أو قد يحدث قصر في الدائرة الكهربائية بسبب المواد جيدة التوصيل للتيار، مثل العملات المعدنية أو المفاتيح؛ فقد يؤدي ذلك إلى إصابة شخصية أو ضرر بالجهاز.
- لا تستخدم بطارية بها تسريب؛ فقد يؤدي ذلك إلى حدوث إصابة شخصية أو ضرر بالجهاز.
- لا تعرض بطارية الليثيوم لدرجات حرارة تتعدى نطاقات درجة الحرارة المحددة على الملصق؛ فقد يؤدي ذلك إلى إصابة شخصية أو ضرر بالجهاز.
- توخّ الحذر عند استبدال البطاريات. قد يؤدي التركيب غير الصحيح للبطاريات إلى حدوث موقف خطير، مثل الحرارة الشديدة أو نشوب حريق؛ فقد يؤدي ذلك إلى إصابة شخصية أو ضرر بالجهاز أو أي ممتلكات أخرى.



Manufacturer; Hersteller; Fabrikant; Fabricant; Produttore; Fabricante; Fabricante; Tillverkare; Producent; Producent; Valmistaja; Framleiðandi; Tootja; Ražotājs; Gamintojas; Výrobce; Gyártó; Výrobca; Proizvajalec; Producent; Producător; Proizvođač; Proizvođač; Κατασκευαστής; Производител; Üretici; მწარმოებელი; Ἀρτοποιητής; İstehsalçı; Производитель; Producent; Pengilang; 製造業者; 제조사; 製造商; 制造商; الجهة المصنعة; היצרן



Date of manufacture; Herstellungsdatum; Productiedatum; Date de fabrication; Data di fabbricazione; Fecha de fabricación; Data de fabrico; Tillverkningsdatum; Fremstillingsdato; Produksjons dato; Valmistuspäivä; Framleiðsludagsetning; Valmistamise kuupäev; Ražošanas datums; Pagaminimo data; Datum výroby; Gyártás időpontja; Datum výroby; Datum proizvodnje; Data produkci; Data fabricației; Datum proizvodnje; Datum proizvodnje; Ημερομηνία κατασκευής; Дата на производство; Üretim tarihi; წარმოების თარიღი; Ἀρτοποιημάτων ἀμύσησις; İstehsal tarixi; Дата изготовления; Tanggal produksi; Tarikh pembuatan; 製造日; 제조일자; 製造日期; 制造日期;

تاريخ التصنيع; תאריך ייצור



Single Patient – multiple use; Einzelner Patient – mehrfach anwendbar; Eén patiënt – meervoudig gebruik; Un seul patient – à usage multiple; Singolo paziente – uso multiplo; Un solo paciente – uso múltiple; Paciente único – várias utilizações; En patient – flera användningar; Enkelt patient – flegangsbrug; Kun til bruk på én pasient – flegangsbruk; Potilaskohtainen – voidaan käyttää useita kertoja; Fyrir einn sjúkling – margnota; Ühel patsiendil korduvalt kasutatav; Viens patients – vairākkārtēja lietošana; Vienas pacientas – daugkartinis naudojimas; Jeden pacient – vícenásobné použití; Egyetlen beteg esetében többször újra használható; Jeden pacient – viacnásobné použitie; En bolnik – večkratna uporaba; Wielokrotne użycie u jednego pacjenta; Un singur pacient – utilizare multiplă; Jedan pacijent – višestruka uporaba; Један пацијент – вишеструка употреба; Πολλαπλή χρήση – σε έναν μόνο ασθενή; Един пациент – многократна употреба; Tek hasta – çoklukullanım; ერთი პაციენტი — მრავალჯერადი მოხმარების; Մեկ հիվանդի համար թույլատրվում է բազմակի օգտագործումը; Bir Pasient üçün – çoxsaylı istifadə; Многократное использование для одного пациента; Hanya Untuk Satu Pasien–beberapa kali penggunaan; Seorang Pesakit – berbilang penggunaan; 一人の患者 - 複数回使用; 환자 일인-다목적 이용; 單一患者 : 多次使用; 供一位患者多次使用;

مريض واحدة - استخدام متعدد; שימוש רב פעמי; מטופל יחיד



Keep away from sunlight and keep dry; Vor Sonnenlicht und Feuchtigkeit schützen; Niet blootstellen aan zonlicht, droog bewaren; Maintenir à l’abri de la lumière directe du soleil et de l’humidité; Tenere all’asciutto e al riparo dalla luce del sole;

Mantener seco y alejado de la luz solar; Manter afastado da luz solar e da chuva; Håll borta från solljus och håll torr; Holdes bort fra sollys og holdes tørt; Unngå direkte sollys, holdes tørt; Säilyttävä kuivassa paikassa suojassa auringonvalolta; Geymið fjarri sólarljósi og haldið þurru; Hoida kuivas ja eemal päikesevalgusest; Sargāt no saules stariem un mitruma; Saugoti nuo saulės šviesos ir laikyti sausai; Chraňte před slunečným zářením a udržujte v suchu; Tartsa a napfénytől távol, és tartsa szárazon; Chraňte pred slnečným žiarením a uchovávajte v suchu; Shranjujte na suhem in ne izpostavljajte sončni svetlobi; Chronić przed światłem słonecznym i przechowywać w suchym miejscu; A se feri de lumina soarelui și a se menține uscat; Čuvajte na suhom mjestu i podalje od Sunčeve svjetlosti; Držati dalje od sunčeve svetlosti i čuvati na suvom; Φυλάσσετε μακριά από το ηλιακό φως και διατηρείτε τη συσκευή στεγνή; Дръжте далече от слънчева светлина и съхранявайте на сухо място; Güneş ışığından uzakta ve kuru tutun; შვიდახეთ მზისგან დაცულ ადგილას და მშრალ მდგომარეობაში; Հետո պահեք արևի ճառագայթներից և պահեք չոր տեղում; Gün ışığından uzaqda və quru saxlayın; Берегите от воздействия прямых солнечных лучей и влаги; Hindarkan dari sinar matahari dan simpan di tempat yang kering; Jauhkan dari cahaya matahari dan pastikan sentiasa kering; 直射日光および湿気禁止; 직사광선이 닿지 않게 하고 건조한 상태로 유지하십시오; 避免日照並保持乾燥; 避免日照和保持干燥;

יש להרחיק מאור השמש ולאחסן במקום יבש

يجب الحفاظ على المنتج جافاً وبعيداً عن أشعة الشمس

## MD

Medical Device; Medizininprodukt; Medisch hulpmiddel; Dispositif médical; Dispositivo medico; Productio sanitario; Dispositivo médico; Medicinteknisk produkt; Medicinsk udstyr; Medisinsk utstyr; Lääkin­nä­linen laite; Lækningatæki; Meditsiiniseade; Medicīniska ierīce; Medicinos priemonė; Zdravotnický prostředek; Orvostechnikai eszköz; Zdravotnícka pomôcka; Medicinski pripomoček; Wyrób medyczny; Dispozitiv medical; Medicinski proizvod; Медицинско средство; Ιατροτεχνολογικό προϊόν; Медицинско изделие; Tibbi cihaz; სამედიცინო მოწყობილობა; Բժշկական սարք; Tibbi Avadanlıq; Медицинское изделие; Peralatan Medis; Peranti Perubatan; 醫療機器; 의료 장치; 醫療裝置; 医疗器械;

התקן רפואי; جهاز طبي



Instructions for use; Gebrauchsanweisung; Gebruiksaanwijzing; Mode d'emploi; Istruzioni per l'uso; Instrucciones de uso; Instruções de utilização; Bruksanvisning; Brugsanvisning; Bruksanvisning; Käyttöohjeet; Notkunarleiðbeiningar; Kasutusjuhend; Lietošanas norādījumi; Naudojimo instrukcija; Návod k použití; Használati útmutató; Návod na použitie; Navodila za uporabo; Instrukcja użycia; Instrucțiuni de utilizare; Upute za upotrebu; Uputstvo za upotrebu; Οδηγίες χρήσης; Инструкция за употреба; Kullanım talimatları; გამოყენების ინსტრუქცია; Оқунақпаратұның хрәһәһәһүһәһ; İstifadə qaydaları; Инструкции по применению; Petunjuk penggunaan; Arahan penggunaan; 取扱説明書; 사용 지침; 使用說明; 使用说明书;

תعليمات الاستخدام; הוראות שימוש



Waste electrical and electronic equipment; Elektro- und Elektronik-Altgeräte; Afgedankte elektrische en elektronische apparatuur; Déchets d'équipements électriques et électroniques; Rifiuti di apparecchiature elettriche ed elettroniche; Residuos de aparatos eléctricos y electrónicos; Resíduos de equipamentos elétricos e eletrônicos; Avfall som utgörs av eller innehåller elektrisk och elektronisk utrustning; Affald af elektrisk og elektronisk udstyr; Avfall fra elektrisk og elektronisk utstyr; Sähkö- ja elektroniikkalaiteromus; Rafmagns- og rafeindatæki, úrgangur; Elektroonikaromud; Elektriskā un elektroniskā aprīkojuma atkritumi; Elektros ir elektroninēs ierāgos atliekos; Odpadní elektrická a elektronická zařízení; Elektromos és elektronikus berendezések hulladéka; Odpadové elektrické a elektronické zariadenia; Odpadna električna in elektronska oprema; Zużyty sprzęt elektryczny i elektroniczny; Deşuri de echipamente electrice şi electronice; Odpadna električna i elektronička oprema; Отпадna električna i elektronska oprema; Απόβλητα ηλεκτρικού και ηλεκτρονικού εξοπλισμού; Отпадьци от электрическо и електронно оборудване; Atik elektrikli ve elektronik ekipman; ელექტრო და ელექტრონული სანიტარული აღჭურვილობა; Էլեկտրական և էլեկտրոնային սարքավորումների թափոն; Elektrik və elektron avadanlıqları tullantıları; Отработанное электрическое и электронное оборудование; Էլեկտրական և էլեկտրոնային սարքավորումների թափոն; Peralatan elektrik dan elektronik sisa; 気電子機器廃棄物; 전기 및 전자 폐기물 처리 지침: 廢電子電機設備; 废弃电气电子设备; פסולת מוצרי חשמל וציוד אלקטרוני

نفايات أجهزة كهربائية وإلكترونية



Type BF Applied Part; Anwendungsteil vom Typ BF; Toegepast onderdeel type BF; Pièce appliquée de type BF; Parte applicata tipo BF; Pieza aplicada tipo BF; Peça aplicada tipo BF; Typ BF-applicerad del; Anvendt del af type BF; Anvendt del type BF; Tyypin BF potilasliityntäosa; Nýttur hluti af gerð BF; BF-tüüpi rakendusosa; BF tipa lietojamā detaļa; BF tipo darbinē dalis; Příložná část typu BF; BF típusú alkalmazott alkatrész; Aplikovaná část typu BF; Uporabljeni del tipa BF; Część stykająca się z ciałem pacjenta typu BF; Componentă aplicată de tip BF; Primijenjeni dio tipa BF; Primenjeni deo tipa BF; Εφαρμοζόμενο εξάρτημα τύπου BF; Приложна част тип BF; BF Tipi Uygulamalı Parça; BF ტიპის მომუშავე ნაწილი; BF տեսակի աշխատանքային մաս; Tətbiqi Hissə Növü BF; Рабочая часть типа BF; BF տեսակի աշխատանքային մաս; Bahagian Digunakan Jenis BF; BF形装着部; BF형 적용 부품; Type BF 觸身部件; BF 型应用部件;

جزء مستعمل على الجسم من النوع BF; חלק פעיל במגע ישיר בדירוג BF



Refer to instruction Manual; Siehe Bedienungsanleitung; Raadpleeg de gebruiksaanwijzing; Consulter le mode d'emploi; Consultare il manuale di istruzioni; Consultar el manual de instrucciones; Consulte o manual de instruções; Se bruksanvisningen; Se betjeningsvejledningen; Se bruksanvisningen; Tarkista tieto käyttöoppaasta; Viz návod k obsluze; Lásd a használati útmutatót; Pozrite si návod na obsluhu; Zapoznać się z instrukcją obsługi; Zapoznać się z instrukcją obsługi; Consultați manualul de instrucțiuni; Pogledajte priručnik s uputama; Ανατρέξτε στο εγχειρίδιο οδηγιών; Видже ръководството с инструкции; Kullanma Talimatına Bakın; **Стубе оқунақарудың дәстүрлік;** См. руководство по эксплуатации; Rujuk Manual arahan; 取扱説明書を参照; 사용 설명서 참조; 請參閱說明書; 请参阅说明手册; תירדמב ויייע; تماميل عمل ليلد عجار; תוארוהה



Store at room temperature. Temporary deviations within the temperature range (max-min) are allowed; Bei Zimmertemperatur lagern. Temperaturschwankungen innerhalb des Temperaturbereichs (min.-max.) sind zulässig; Bij kamertemperatuur bewaren. Tijdelijke afwijkingen van de temperatuur binnen de marge (min-max) zijn toegestaan; Stocker à température ambiante. Des écarts temporaires dans la plage de température ambiante (max-min) sont autorisés; Conservare a temperatura ambiente. Sono consentiti scostamenti temporanei entro i limiti di temperatura (max-min); Almacenar a temperatura ambiente. Se permiten desviaciones temporales dentro del rango de temperatura (máx.-mín.); Guardar à temperatura ambiente. São permitidos desvios temporários dentro do intervalo das temperaturas (máx-min); Förvara i rumstemperatur. Tillfälliga avvikelser inom temperaturområdet (max-min.) är tillåtna; Oppbevar ved rumtemperatur. Midlertidige avfigelser i temperaturintervallet (maks-min) er tilladt; Oppbevares i romtemperatur. Midlertidige avvik innenfor temperaturområdet (maks.-min.) er tillatt; Säilytä huoneenlämmössä. Väliaikainen poikkeama lämpötila-alueella (suurin-pienin) on sallittu; Geymið við stofuhita. Tímabundin frávik innan hitasviðs (lág m.-há m.) eru leyfð; Hoida toatemperatuuril. Ajutised nihked temperatuurivahemikus (max-min) on lubatud; Uzglabāt istabas temperatūrā. Ir pieļaujamas īslaicīgas novirzes temperatūras diapazona ietvaros (min.-maks.); Laikyti kambario temperatūroje. Leidžiami laikini nuokrypiai, neviršijantys temperatūros intervalo (didž.-maž.); Skladujte při pokojové teplotě. Dočasné odchylky od teplotního rozsahu (max-min) jsou povoleny; Tárolja szobahőmérsékleten. Az átmeneti ingadozás a hőmérséklet-tartományon belül (max.-min.) engedélyezett; Uchovávejte pri izbovej teplote. Dočasné odchýlky v rámci teplotného rozsahu (max - min) sú povolené; Shranjujte pri sobni temperaturi. Dovoljena so začasna odstopanja znotraj temperaturnega razpona (najv.-najm.); Przechowywać w temperaturze pokojowej. Dopuszczalne są przejściowe odchylenia w obrębie zakresu temperatury (maks. — min.); A se pāstra la temperatura



camerei. Sunt permise abateri temporare în intervalul de temperatură (min.-max.); Skladištite pri sobnoj temperaturi. Dopuštena su privremena odstupanja unutar raspona temperature (maks. – min.); Čuvati na sobnoj temperaturi. Dozvoljena su privremena odstupanja unutar temperaturnog opsega (maks.-min.); Φυλάσσετε σε θερμοκρασία δωματίου. Επιτρέπονται παροδικές αποκλίσεις εντός του εύρους θερμοκρασίας (μέγιστη-ελάχιστη); Съхранявайте на стайна температура. Временните отклонения в температурните диапазони (макс. – мин.) са разрешени; Oda sıcaklığında saklayın. Sıcaklık aralığı (maksimum-minimum) içerisinde geçici sapmalara izin verilir; შეინახეთ ოთახის ტემპერატურაზე. დროებითი გადახრები ტემპერატურის ფარგლებში (მაქს.-მინ.) დასაშვებია; Պահել սենյակային ջերմաստիճանում: Թույլատրվում են ժամանակավոր տատանումներ ջերմաստիճանի ընդգրկույթում (առավելագույնից նվազագույն); Otaq temperaturunda saxlayın. Maksimum və minimum temperatur aralığında müvəqqəti yaunmalara icazə verilir; Храните при комнатной температуре. Допускаются временные отклонения интервала температур (макс.-мин.); Simpan pada suhu ruang. Deviasi sementara dalam rentang suhu (maks-min) diizinkan; Simpan pada suhu bilik. Penyimpangan sementara dalam julat suhu (maks-min) adalah dibenarkan: 室温で保管。温度範囲 (最大 ~ 最小) 内の温度逸脱は許容。; 실온에서 보관하십시오. 온도 범위내에서의 일시적인 편차(최대-최소)는 허용됩니다; 室温儲存。允許在溫度範圍內 (上限至下限) 的溫度差異。; 室温下存放。允許溫度範圍內 (最高-最低) 的暂时偏差。;

יש לאחסן בטמפרטורת החדר. מותרות סטיות זמניות בתוך טווח הטמפרטורה (מקסימום-מינימום).

يجب التخزين في درجة حرارة الغرفة. يُسمح باختلافات مؤقتة ضمن نطاق درجة الحرارة (الحد الأقصى-الحد الأدنى).

THIS PAGE IS DELIBERATELY LEFT EMPTY





No. 12100, 2021-11-29

# Atos

atosmedical.com

**Australian sponsor:**  
Atos Medical Pty Ltd  
6/174-180 Pacific Highway  
North Sydney NSW 2060  
Australia  
Tel: +61 1800 286 728

**Brazil Registration Holder:**  
Atos Medical Brasil Ltda  
Rua Joaquim Nabuco, 47  
Cj. 92- Brooklin  
04621-000 Sao Paulo, SP  
Brasil  
Tel: +55 11 2305 2022

**Canadian distributor:**  
Atos Medical Canada Inc  
20 Simona Drive, Unit 5  
Bolton, ON L7E 4K1  
Canada  
Tel: +1 833 514 2867



Atos Medical AB  
Kraftgatan 8,  
SE-242 35 Hörby, Sweden  
Tel: +46 (0)415 198 00  
Email: [info@atosmedical.com](mailto:info@atosmedical.com)

© Atos Medical AB, Sweden.